

Mod.	From serial no. A partir máq. nº
HS-6057	2.160.001
EH130	1.510.001

Parts Handbook for Washers
Manual de Recambios para lavadoras
Notice Vues Eclatées pour laveuses

HS-6057
EH130

GIRBAU, S.A.

Crta de Manlleu, km. 1
08500 VIC (Barcelona) • SPAIN
Tel. 34 93 8861100
Fax 34 93 8860785
girbau@girbau.es
www.girbau.com

USA, CANADA:

CONTINENTAL GIRBAU Inc.

2500 State Road 44
WI 54904 Oshkosh • USA
Tel. 1(920) 231-8222
Fax 1(920) 231-4666
info@cont-girbau.com
www.cont-girbau.com



Parts Handbook
Manual de recambios
Vues Eclatées

HS-6057
EH130

NOTES TO USE PARTS LIST

Sheets no. 1,2,3,4,5,6,7 & 8:
Are common for all versions.

Sheet no. 9:
The left side just refers to machines with third water inlet.

Sheet no. 10:
Relates to electrical heated machines.

Sheet no. 11:
Relates to steam heated machines.

Sheet no. 12:
Relates to "TILT" system machines only.

Sheet no. 13:
Relates to machines equipped with second drain.

Sheet no. 14:
Relates to machines equipped with remote control.

ACLARACIONES PARA EL USO DEL DESPIECE

Hojas nº 1,2,3,4,5,6,7 y 8:
Son comunes a todas las variantes.

Hoja nº 9:
La parte lateral izquierda es sólo para las máquinas con tercera entrada de agua.

Hoja nº 10:
Corresponde a las máquinas con calefacción eléctrica.

Hoja nº 11:
Corresponde a las máquinas con calefacción a vapor.

Hoja nº 12:
Es sólo para las máquinas con sistema "VOLQUETE"

Hoja nº 13:
Corresponde a las máquinas con segundo desagüe.

Hoja nº 14:
Corresponde a las máquinas con mando a distancia.

NOTES UTILISATION VUES ECLATEES

Feuilles no. 1,2,3,4,5,6,7 et 8:
Sont communes à toutes les versions.

Feuille no. 9:
La partie latérale gauche est seulement pour les machines à troisième arrivée d'eau.

Feuille no. 10:
Correspond aux machines à chauffage électrique.

Feuille no. 11:
Correspond aux machines à chauffage à vapeur.

Feuille no. 12:
Est seulement pour machines avec système "BASCULANT"

Feuille no. 13:
Correspond à machines avec deuxième vidange.

Feuille no. 14:
Correspond à machines avec télécommande.

VERY IMPORTANT:

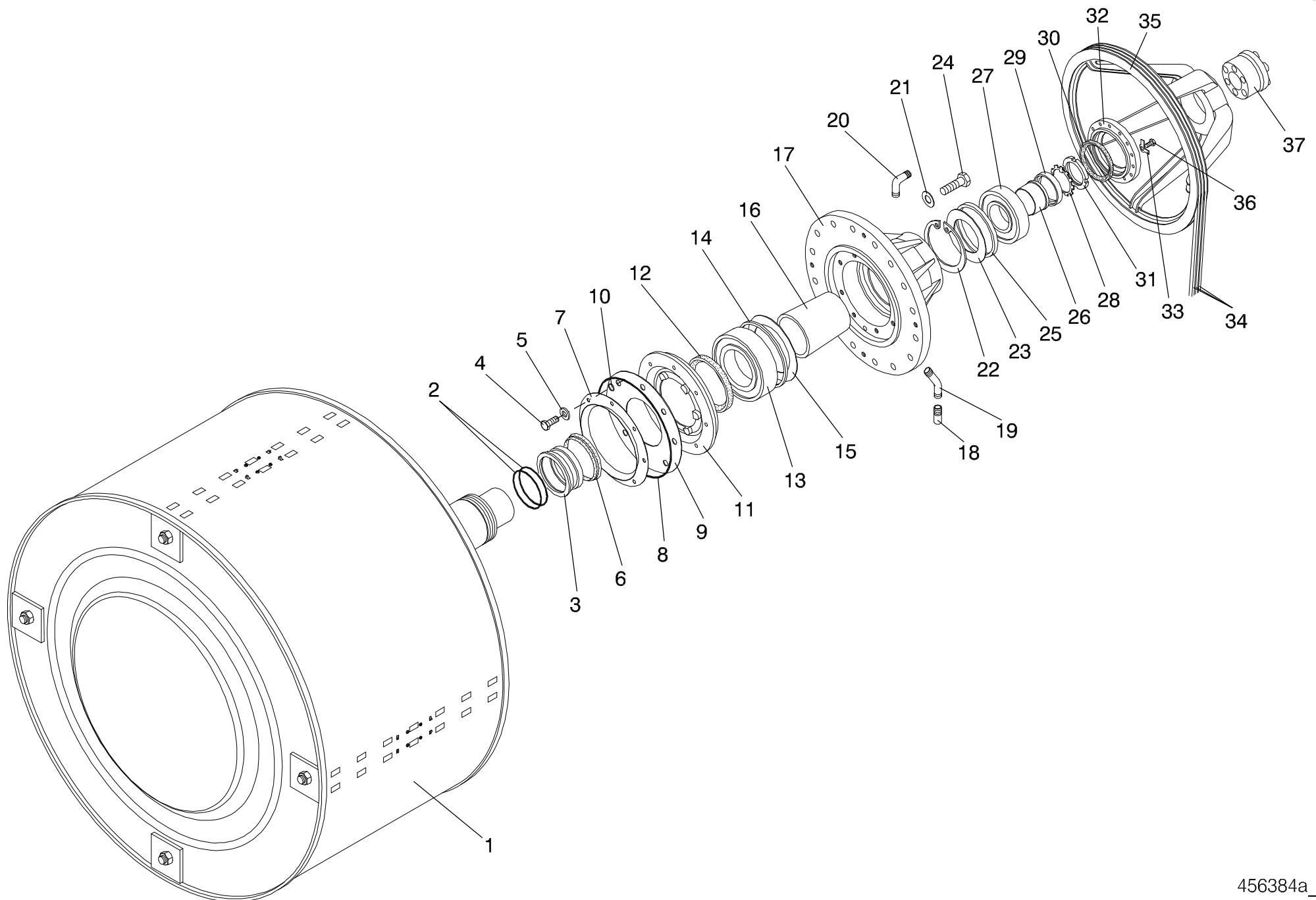
Before ordering parts be sure they have not been modified. Check it on modification sheet, after the corresponding sheet.

MUY IMPORTANTE:

Al pedir una pieza cerciorarse antes de que la misma no ha sido modificada. Si lo hubiese sido, estaría situada como hoja de modificaciones, detrás de la hoja correspondiente.

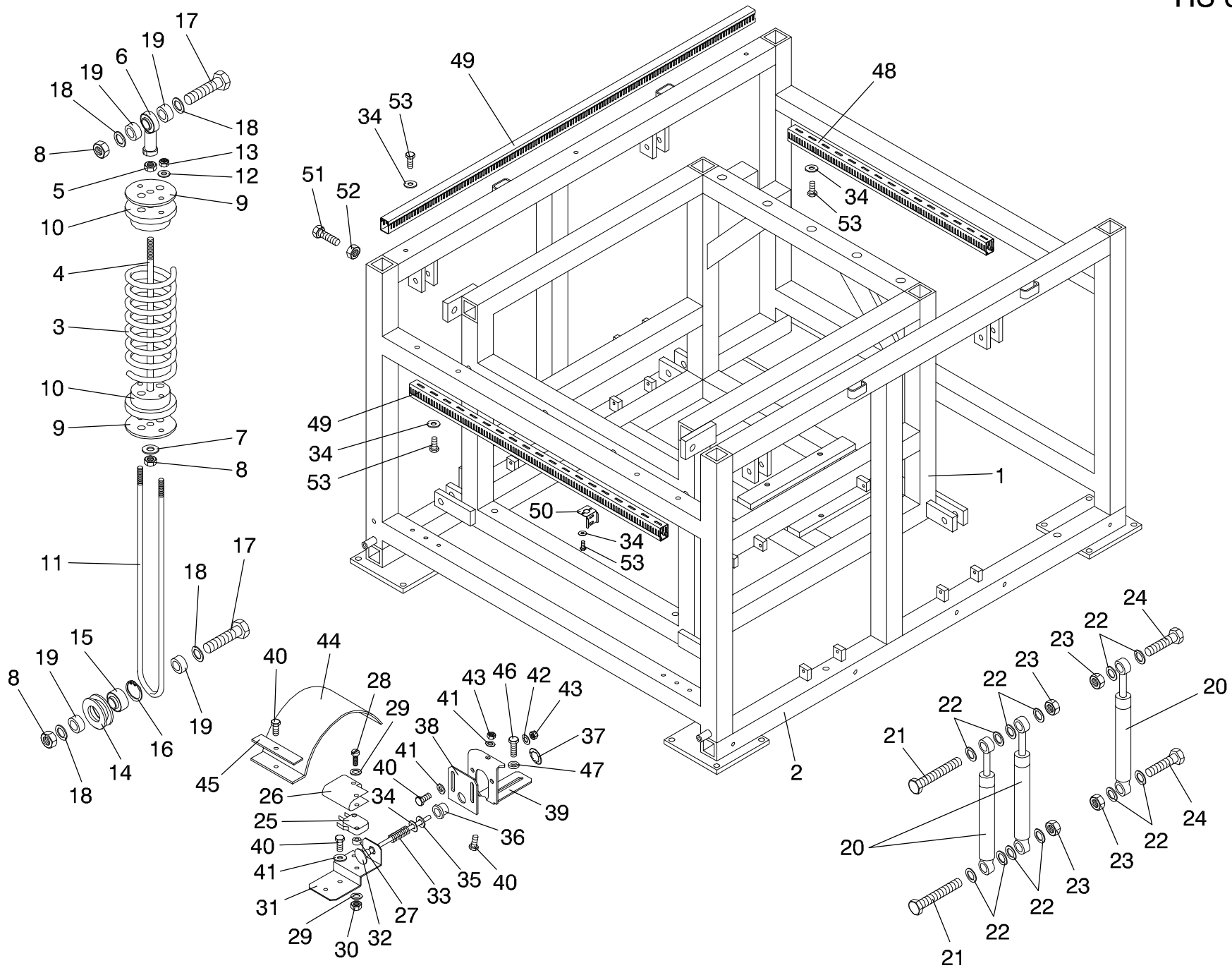
TRES IMPORTANT:

Avant de commander une pièce, s'assurer qu'elle n'a pas été modifiée. Le vérifier sur feuille de modifications, derrière la feuille correspondante.



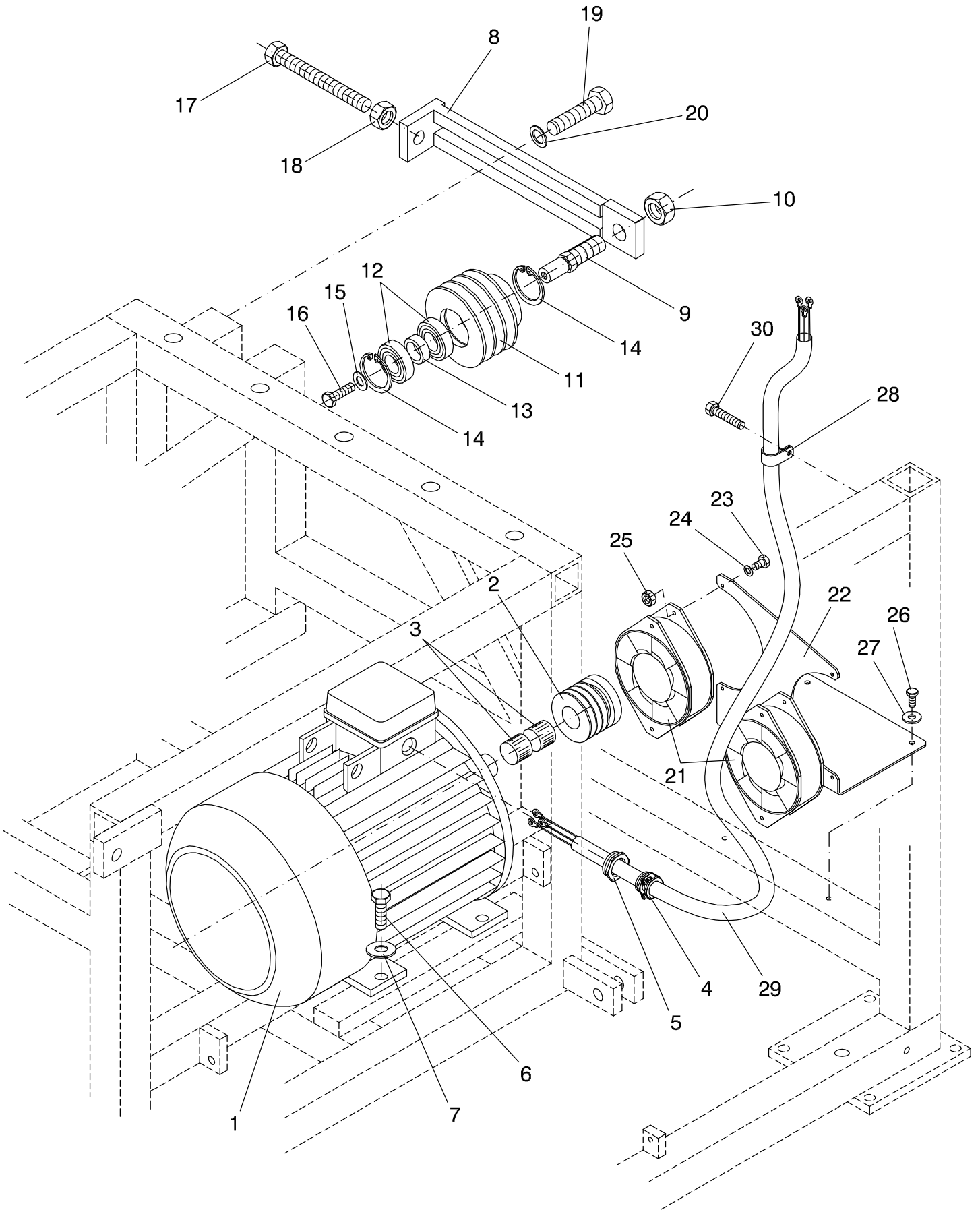
N°	REF	DENOMINATION	DENOMINACIÓN	DENOMINATION
1	438192	BASKET	TAMBOR	TAMBOUR
2	174425	TORIC GASKET 130X142X6 RE.3769	JUNTA TORICA 130X142X6	JOINT TORIQUE 130X142X6RE.3769
3	249128	SEAL RING	ANILLO RETENES	BAGUE RESERVES
4	175687	INOX HEX SCREW DIN 933 M-10X60	TOR.EX.DIN933INOX A2-70 M10X60	VIS HEX.INOX DIN 933 M-10X60
5	254144	WASHER D35XD10.25X6	ARANDELA 35X10.25X6 INOX	RONDELLE D35XD10.25X6
6	174391	RING V-RING V-170 S VITON	ANILLO V-RING V-170 S VITON	BAGUE V-RING V-170 S VITON
7	250167	PROTECTION V-RING	PROTECCION V-RING	PROTECTION V-RING
8	174417	TORIC GASKET 355X369X7 RE.3810	JUNTA TORICA 355X369X7	JOINT TORIQUE 355X369X7RE.3810
9	250159	SEAL COVER	TAPA RETEN	COUVERCLE RESERVE
10	147991	TORIC GASKET 10X23X6,5	JUNTA TORICA 10X23X6,5	JOINT TORIQUE 10X23X6,5
11	250142	FRONT SEAL COVER	TAPA RETEN ANTERIOR	COUVERCLE RESERVE AVANT
12	174433	SEAL 170X200X15 BA	RETEN 170X200X15 DIN 3760-A NBR	RESERVE 170X200X15 BA
13	174334	BEARING NU-326 E	RODAMIENTO NU 326 ECP	ROULEMENT NU-326 E
14	174375	GUIDE RING FRA 10/280	ANILLO DE GUIA FRB 10/280	BAGUE DE GUIDE FRA 10/280
15	221846	GREASE OBTURATION PLATE	PLACA OBTURACION GRASA	PLAQUE OBTURATION GRAISSE
16	221861	BEARING END PIECE	TOPE COJINETES	ARRET ROULEMENTS
17	266973	BEARING BOX	CAJA COJINETES	BOITE ROULEMENTS
18	200063	BEARING CASE DRAIN	DESAGUE CAJA COJINETES	VIDANGE BOITE ROULEMENTS
19	174474	FIG. 40 1/2" GALV.	FIGURA 40 DE 1/2" GALV.	FIG. 40 1/2" GALV.
20	122531	HOSE ELBOW 90° de 20mm	CODO MANGUERA 90° de 20mm	COUDE TUYAU 90° de 20mm
21	149393	WASHER DIN 125B M14 ST TRIVALENT	ARANDELA DIN 125B M14 ST TRIVALENTE	RONDELLE DIN 125B M14 ST TRIVALENT
22	174409	FLEXIBLE RING I-200 DIN 472	ANILLO ELASTICO I-200 DIN 472	BAGUE ELASTIQUE I-200 DIN 472
23	221812	GREASE OBTURATION PLATE	PLACA OBTURACION GRASA	PLAQUE OBTURATION GRAISSE
24	176172	HEX SCREW DIN 933 8,8 M14x55 TRIVALENT	TORNILLO HEXAGONAL DIN 933 8,8 M14x55 TR	VIS HEXAGONALE DIN 933 8,8 M14x55 TRIVAL
25	174367	GUIDE RING FRA 10/200	ANILLO DE GUIA FRB 10/200	BAGUE DE GUIDE FRA 10/200
26	174359	DISASSEMBLY SLEEVE AHX-3026	MANGUITO DESMONTAJE AHX-3026 *	MANCHON DEMONTAGE AHK-3026
27	174342	BEARING 23026 CK	RODAMIENTO 23026 CCK/W33	ROULEMENT 23026 CK
28	163709	LOCKING WASHER	ARANDELA DE CIERRE	RONDELLE DE FERMETURE

N°	REF	DENOMINATION	DENOMINACIÓN	DENOMINATION
29	221879	SEAL RING	ANILLO RETEN	BAGUE RESERVE
30	147538	SEAL 150X180X15 BA	RETEN 150X180X15 DIN 3760-A NBR	RESERVE 150X180X15 BA
31	163725	FIXING NUT KM-25	TUERCA FIJACION TAMBOR	ECROU FIXATION KM-25
32	266932	REAR SEAL COVER	TAPA RETEN POSTERIOR	COUVERCLE RESERVE ARRIERE
33	195735	SAFETY WASHER 6,4 DIN 463	ARANDELA SEGURIDAD 6,4 DIN 463	RONDELLE SECURITE 6,4 DIN 463
34	315671	TRAPEZOIDAL BELT SPA-2932	CORREA TRAPEZOIDAL SPA-2932	COURROIE TRAPEZOIDALE SPA-2932
35	408872	BASKET PULLEY	POLEA TAMBOR	POULIE TAMBOUR
36	192385	BICR.HEX.SCREW DIN933-8 M6X35	TOR.EX.DIN933-8.8 B.TRI.M 6X35	VIS.HEX.DIN933-8,8 BICR.M6X35
37	182667	SELF-CENTERING FIXING UNIT 5B	UNIDAD FIJ.AUTOCENT.5B 90X130	UNITE FIXATION SELF-CENTRAGE 5B



Nº	REF	DENOMINATION	DENOMINACIÓN	DENOMINATION
1	437426	SUSPENDED CHASSIS	CHASIS FLOTANTE	CHASSIS SUSPENDU
2	445734	FIXED CHASSIS	CHASIS FIJO	CHASSIS FIXE
3	300459	SUSPENSION SPRING	MUELLE SUSPENSION	RESSORT SUSPENSION
	278598	SUSPENSION SET	CONJUNTO SUSPENSION (COMPLETO)	ENSEMBLE SUSPENSION
4	278770	SUSPENSION BAR	VARILLA SUSPENSION	BAGUETTE SUSPENSION
5	150276	BICR HEX.NUT DIN934-8 M-16	TUER.EX.DIN934-8 B.TRI.M16	ECROU HEX.DIN934-8 BICR M-16
6	174870	HINGE JOINT HEAD TYPE GIR 17UK	CABEZA DE ROTULA TIPO GIR 17UK	TETE DE ROTULE TYPE GIR 17UK
7	255992	WASHER 36X17X6	ARANDELA 36X17X6 TRIVALEN.	RONDELLE 36X17X6
8	173260	SELF-LOCKING NUT DIN985-8B.TRI.M16	TUER.AUTOBL.DIN985-8B.TRI.M16	ECROU AUTOBLOCANT DIN985-8B.TRI.M16
9	278804	CLAMP SUPPLEMENT	SUPLEMENTO BRIDA	SUPPLEMENT BRIDE
10	278762	SUSPENSION CLAMP	BRIDA SUSPENSION	BRIDE SUSPENSION
11	278788	SUSPENSION PIECE	HORQUILLA SUSPENSION	PIECE SUSPENSION
12	278861	WASHER 26X12,5X6	ARANDELA 26X12,5X6 TRIVALEN.	RONDELLE 26X12,5X6
13	150656	SELF-LOCKING NUT DIN985-8 B.TRI.M12	TUER.AUTOB.DIN985-8 B.TRI.M12	ECROU AUTOBLOCANT DIN985-8 B.TRI.M12
14	278796	SUSPENSION SLEEVE	CASQUILLO SUSPENSION	FRETTE SUSPENSION
15	185728	RADIAL HINGE JOINT TYPE GE	ROTULA RADIAL TIPO GE 17UK	ROTULE RADIAL TYPE GE 17UK
16	185736	RING SEEGER-V JV-30	ANILLO SEEGER-V JV-30	BAGUE SEEGER-V JV-30
17	175729	HEX SCREW 8G DIN 931 M-16X100	TOR.EX.DIN931-8.8B.TRI.M16X100	VIS HEX 8G DIN 931 M-16X100
18	149385	BICR.WASHER B DIN125-ST 17	ARAN.B DIN125-ST B.TRI.17	RONDELLE B DIN125-ST BICR.17
19	238055	HINGE JOINT SEPARATOR	SEPARADOR ROTULA	SEPARATEUR ROTULE
20	333476	SHOCK-ABSORBER SUSPA RD10 120N	AMORTIGUADOR SUSPA RD10 120N	AMORTISSEUR SUSPA RD10 120N
21	191684	HEX SCREW 8G DIN931 M 8X 80	TOR.EX.DIN931-8.8 B.TRI.M 8X80	VIS HEX 8G DIN931 M 8X 80
22	149518	BICR.WASHER B DIN125-ST 8,4	ARAN.B DIN125-ST B.TRI. 8,4	RONDELLE.B DIN125-ST BICR.8,4
23	164285	SELF-LOCKING NUT DIN985-8 B.TRI.M8	TUER.AUTOBL.DIN985-8 B.TRI.M8	ECROU AUTOBLOCANT DIN985-8 B.TRI.M8
24	501965	HEX SCREW 8G DIN931 M 8X 60	TOR.EX.DIN931-8.8 B.TRI.M 8X60	VIS HEX 8G DIN931 M 8X 60
25	197046	MINISWITCH 83161.344 I W3	MINIRRUPTOR 83161.344 I W3	MINIRRUPTEUR 83161.344 I W3
26	281113	MICROSWITCH ISOLATION	AISLANTE MICRORRUPTOR	ISOLANT MICRORRUPTEUR
27	175364	PLASTIC SEPARATOR 6MM SP78/10	SEPARADOR PLASTICO 6MM.SP78/10	SEPARATEUR PLASTIQUE 6MM

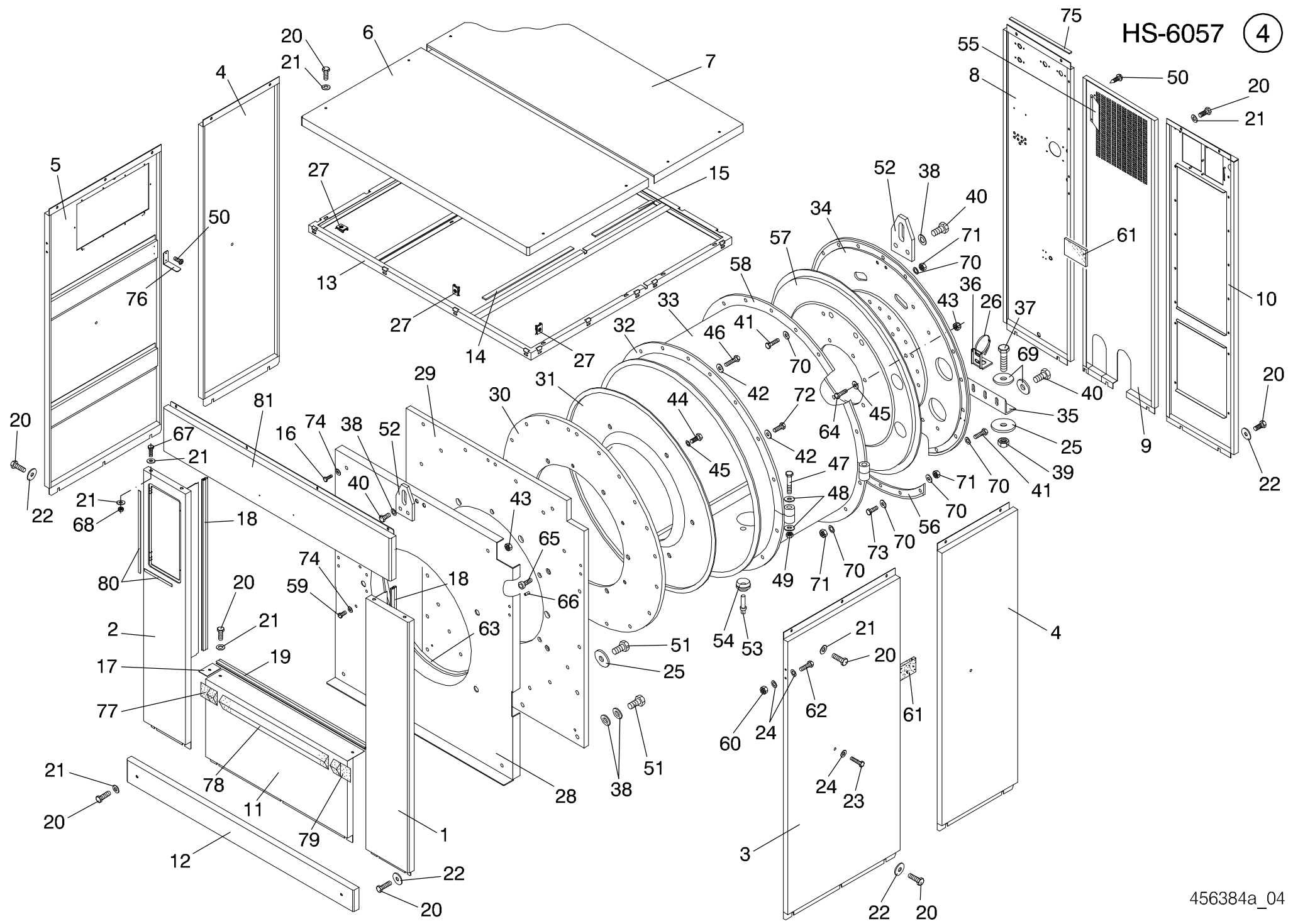
Nº	REF	DENOMINATION	DENOMINACIÓN	DENOMINATION
28	302554	CYL.BICR.SCREW DIN84-4.8 M3X25	TOR.CIL.DIN84-4.8 B.TRI.M 3X25	VIS.CYL DIN84-4.8 BICR M 3X25
29	149484	WASHER DIN 125B M3 ST TRIVALENT	ARANDELA DIN 125B M3 ST TRIVALENTE	RONDELLE DIN 125B M3 ST TRIVALENT
30	149906	INOX. HEX. NUT DIN 934 M-3	TUER.EX.DIN934 INOX A2-70 M 3	ECROU HEX. INOX DIN934 M-3
31	261784	MICROSWITCH DRIVE BRACKET	SOPORTE ACCIONADOR MICRORRUP.	SUPPORT ACTIONNEMENT MICRORRUP
32	189407	MICROSWITCH DRIVE	ACCIONADOR MICRORRUPTOR	ACCIONNEMENT MICRORRUPTEUR
33	189399	MICROSWITCH DRIVE SPRING	MUELLE ACCIONADOR MICRORRUPTOR	RESSORT ACTIONNEMENT MICRORRUP
34	149534	BICR.WASHER B DIN125-ST 5,3	ARAN.B DIN125-ST BICR. 5,3	RONDELLE B BICR.DIN125-ST 5,3
35	147918	QUICK FIXING 211039-6	SUJEC.RAPIDA MIKALOR 211039-6	FIXATION RAPIDE 211039-6
36	278051	MICRO.DRIVE SLEEVE	CASQUILLO ACCIONADOR MICRO	FRETTE ACTIONNEMENT MICRO
37	134924	QUICK FIXING 211044-1	SUJEC.RAPIDA MIKALOR 211044-1	FIXATION RAPIDE 211044-1
38	278069	MICROSWITH ACTIVATOR END-PIECE	TOPE ACCIONADOR MICRORRUPTOR	ARRET ACCIONNATEUR MICROINT.
39	278085	MICRO ACTIV. END-PIECE BRACKET	SOPORTE TOPE ACCIONADOR MICRO.	SUPPORT ARRET ACCIONNAT.MICRO
40	146266	BICR.HEX SCREW DIN933-8 M-4X15	TOR.EX.DIN933-4.8 B.TRI.M 4X15	VIS HEX BICR.DIN933-8.8 M-4X15
41	219758	INOX WASHER 12X4X1,5	ARANDELA 12X4X1.5 INOX	RONDELLE 12X4X1,5 INOX
42	149476	BICR.WASHER B DIN125-ST 4,3	ARAN.B DIN125-ST B.TRI. 4,3	RONDELLE B DIN125-ST BICR.4,3
43	132043	SELF-LOCKING NUT DIN985-8 B.TRI.M 4	TUER.AUTOBL.DIN985-8 B.TRI.M 4	ECROU AUTOBLOCANT DIN985-8 B.TRI.M 4
44	283192	MICROSWITCH PROTECTION COVER	TAPA PROTECCION MICRORRUPTOR	COUVERCLE PROT. MICRORRUPTEUR
45	283200	MICRO PROTECTION FIXING-PIECE	FIJACION PROTECCION MICRO.	FIXATION PROTECTION MICRO
46	146233	BICR.HEX SCREW DIN933-8 M6X15	TOR.EX.DIN933-8.8 B.TRI.M 6X15	VIS HEX DIN933-8.8 BICR.M6X15
47	115733	WASHER 16X7X3	ARANDELA 16X7X3 TRIVALEN.	RONDELLE 16X7X3
48	453613	WIRETHROUGH CHANNEL	CANAL PASACABLES	CANAL PASSECABLES
49	453605	WIRETHROUGH CHANNEL	CANAL PASACABLES	CANAL PASSECABLES
50	245142	CLAMP	BRIDA	BRIDE
51	157354	HEX SCREW 8G DIN 933 M-12X45	TOR.EX.DIN933-8.8 B.TRI.M12X45	VIS HEX 8G DIN 933 M-12X45
52	150235	BICR.HEX NUT DIN 934-8 M-12	TUER.EX.DIN934-8 B.TRI.M12	ECROU HEX DIN 934-8 BICR.M-12
53	146274	BICR.HEX SCREW DIN933-8 M-5X10	TOR.EX.DIN933-8.8 B.TRI.M 5X10	VIS HEX.BICR.DIN933-8.8 M-5X10



Nº	REF	DENOMINATION	DENOMINACIÓN	DENOMINATION
1	350033	MOTOR SET MT150-215/4 (PULLEY INCLUDED)	CONJUNTO MOTOR MT150-215/4 (INCLUYE POLEA)	ENSEMBLE MOTEUR MT150-215/4 (COMPRIS POULIE)
	317461	BEARING 6309-2Z C3	RODAMIENTO 6309-2Z/C3	ROULEMENT 6309-2Z C3
2	344820	MOTOR PULLEY MT 150-215/4	POLEA MOTOR MT 150-215/4	POULIE MOTEUR MT 150-215/4
3	321158	STAR TOLERANCE RING	ANILLO TOLER.STAR 0820-045-05	BAGUE TOLERANCE STAR 0820-045
4	326462	STUFFING-BOX EXADIN CLAMP PG29 BRASS	PRENSAESTOPAS EXADIN PG29 LATON	PRESSE-ETOUPEES EXADIN BRIDE PG29 LAITON
5	164889	AMPLIFIFIER PG 21-29	AMPLIFICADOR PG 21-29	AMPLIFICATEUR PG 21-29
6	146688	HEX SCREW DIN 933 8,8 M12x50 TRIVALENT	TORNILLO HEXAGONAL DIN 933 8,8 M12x50 TR	VIS HEXAGONALE DIN 933 8,8 M12x50 TRIVAL
7	278853	WASHER 30X12,5X4	ARANDELA 30X12,5X4 TRIVALEN.	RONDELLE 30X12,5X4
8	244525	TIGHTENER	TENSOR	TENDEUR
9	218941	TIGHTENER PULLEY SHAFT	MUÑON POLEA TENSOR	AXE POULIE TENDEUR
10	150326	BICR.HEX NUT DIN 934-8 M 24	TUER.EX.DIN934-8 B.TRI.M24	ECROU HEX BICR DIN 934-8 M 24
11	408856	TIGHTENER PULLEY	POLEA TENSORA	POULIE TENDEUSE
12	128512	BEARING 6005-2Z	RODAMIENTO 6005-2Z	ROULEMENT 6005-2Z
13	244509	TIGHTENER BEARING SEPARATOR	SEPARADOR COJINETES TENSOR	SEPARATEUR ROULEMENTS TENDEUR
14	131557	FLEXIBLE RING I-47 DIN 472	ANILLO ELASTICO I- 47 DIN 472	BAGUE ELASTIQUE I-47 DIN 472
15	115428	WASHER 30X10,5X3	ARANDELA 30X10,5X3 TRIVALEN.	RONDELLE 30X10,5X3
16	146480	BICR.HEX SCREW DIN933-8 M10X20	TOR.EX.DIN933-8.8 B.TRI.M10X20	VIS HEX BICR.DIN933-8 M 10X20
17	219014	TIGHTENER SCREW	TORNILLO TENSOR	VIS TENDEUR
18	150250	BICR HEX.NUT DIN 934-8 M 14	TUER.EX.DIN934-8 B.TRI.M14	ECROU HEX.BICR DIN 934-8 M 14
19	176172	HEX SCREW DIN 933 8,8 M14x55 TRIVALENT	TORNILLO HEXAGONAL DIN 933 8,8 M14x55 TR	VIS HEXAGONALE DIN 933 8,8 M14x55 TRIVAL
20	219071	WASHER 40X15X5	ARANDELA 40X15X5 TRIVALEN.	RONDELLE 40X15X5
21	321083	FAN	VENT.NMB 5915PC-23T-B30-A00	VENTILATEUR
22	447284	FAN BRACKET	SOPORTE VENTILADORES	SUPPORT VENTILATEURS
23	146266	BICR.HEX SCREW DIN933-8 M-4X15	TOR.EX.DIN933-4.8 B.TRI.M 4X15	VIS HEX BICR.DIN933-8.8 M-4X15
24	149476	BICR.WASHER B DIN125-ST 4,3	ARAN.B DIN125-ST B.TRI. 4,3	RONDELLE B DIN125-ST BICR.4,3
25	132043	SELF-LOCKING NUT DIN985-8 B.TRI.M 4	TUER.AUTOBL.DIN985-8 B.TRI.M 4	ECROU AUTOBLOCANT DIN985-8 B.TRI.M 4
26	146233	BICR.HEX SCREW DIN933-8 M6X15	TOR.EX.DIN933-8.8 B.TRI.M 6X15	VIS HEX DIN933-8.8 BICR.M6X15
27	149526	BICR.WASHER B DIN125-ST 6,4	ARAN.B DIN125-ST B.TRI. 6,4	BICR.WASHER B DIN125-ST 6,4

N°	REF	DENOMINATION	DENOMINACIÓN	DENOMINATION
28	510644	ALUMINIUM WASHER AL16	ABRAZADERA ALUMINIO AL16	RONDELLE ALUMINIUM AL16
29	446997	MOTOR ELEC. INST.	INST. ELEC. MOTOR	INST. ELEC. MOTEUR
30	144279	ALLEN SCREW DIN 912 M-5X15	TOR.ALDDIN912-8.8 B.TRI.M 5X15	VIS ALLEN DIN 912 M-5X15

HS-6057 (4)



Nº	REF	DENOMINATION	DENOMINACIÓN	DENOMINATION
1	439208	RIGHT FRONT COVER (INOX)	TAPA FRONTAL DERECHA (INOX)	COUVERCLE FRONTAL DROITE (INOX)
	453399	RIGHT FRONT COVER (PRE-COATED)	TAPA FRONTAL DERECHA (PRE-COATED)	COUVERCLE FRONTAL DROIT (PRE-COATED)
2	447185	LEFT FRONT COVER (INOX)	TAPA FRONTAL IZQUIERDA (INOX)	COUVERCLE FRONTAL GAUCHE (INOX)
	446963	LEFT FRONT COVER (PRE-COATED)	TAPA FRONTAL IZQUIERDA (PRE-COATED)	COUVERCLE FRONTAL GAUCHE (PRE-COATED)
3	453142	RIGHT FRONT SIDE COVER (INOX)	TAPA LATERAL ANTERIOR DERECHA (INOX)	COUVERCLE LATERAL ANTERIEUR DROIT (INOX)
	453241	RIGHT FRONT SIDE COVER (PRE-COATED)	TAPA LATERAL ANTERIOR DERECHA (PRE-COATED)	COUVERCLE LATERAL ANTERIEUR DROIT (PRE-COATED)
4	245035	REAR SIDE COVER (INOX)	TAPA LATERAL POSTERIOR (INOX)	COUVERCLE LATERAL ARRIERE (INOX)
	445965	REAR SIDE COVER (PRE-COATED)	TAPA LATERAL POSTERIOR (PRE-COATED)	COUVERCLE LAT. ARRIERE (PRE-COATED)
5	453159	LEFT FRONT SIDE COVER (INOX)	TAPA LATERAL ANTERIOR IZQUIER. (INOX)	COUVERCLE LATERAL ANTERIEUR GAUCHE (INOX)
	453258	LEFT FRONT SIDE COVER (PRE-COATED)	TAPA LATERAL ANTERIOR IZQUIER. (PRE-COATED)	COUVERCLE LATERAL ANTERIEUR GAUCHE (PRE-COATED)
6	445247	FRONT UPPER COVER	TAPA SUPERIOR ANTERIOR	COUVERCLE SUPERIEUR AVANT
7	438937	UPPER REAR COVER	TAPA SUPERIOR POSTERIOR	COUVERCLE ARRIERE SUPERIEUR
8	439653	LEFT REAR SIDE COVER	TAPA POSTERIOR LATERAL IZQU.	COUVERCLE LATE. ARRIERE GAUCHE
9	409656	CENTRAL REAR COVER	TAPA POSTERIOR CENTRAL	COUVERCLE ARRIERE CENTRAL
10	454819	RIGHT SIDE REAR COVER	TAPA POSTERIOR LATERAL DERECHA	COUVERCLE ARRIERE LATERAL DROITE
11	438945	LOWER FRONT COVER (INOX)	T. FRONTAL INFERIOR INOX (INOX)	COUVERCLE FRONTAL INFERIEUR (INOX)
	533117	LOWER FRONT COVER (PRE-COATED)	T. FRONTAL INFERIOR PRECOATED (PRE-COATED)	COUVERCLE FRONTAL INFERIEUR (PRE-COATED)
12	438952	TOE PLATE	ZOCALO	SOCLE
13	349795	UPPER FRAME	BASTIDOR SUPERIOR	BASTI SUPERIEUR
14	454041	COVER ABSORBER PROFILE	PERFIL AMORTIGUADOR TAPA	PROFILE AMORTISSEUR COUVERCLE
15	454058	COVER ABSORBER PROFILE	PERFIL AMORTIGUADOR TAPA	PROFILE AMORTISSEUR COUVERCLE
16	144964	HEX SCREW DIN 933 A2-70 M8x16	TORNILLO HEXAGONAL DIN 933 A2-70 M8x16	VIS HEXAGONALE DIN 933 A2-70 M8x16

N°	REF	DENOMINATION	DENOMINACIÓN	DENOMINATION
17	277814	LOWER COVER SUPPLEMENT	SUPLEMENTO TAPA INFERIOR	SUPPLEMENT COUVERCLE INFERIEUR
18	454033	FRONT PROFILE	PERFIL FRONTAL	PROFILE FRONTAL
19	278713	LOWER FRONT PROFILE	PERFIL FRONTAL INFERIOR	PROFILE FRONTAL INFERIEUR
20	166652	BIC.HEX SCREW DIN933-8.8 M8X15	TOR.EX.DIN933-8.8 B.TRI.M 8X15	VIS HEX DIN933-8.8 BICR. M8X15
21	149518	BICR.WASHER B DIN125-ST 8,4	ARAN.B DIN125-ST B.TRI. 8,4	RONDELLE.B DIN125-ST BICR.8,4
22	358101	PLAIN WASHER DIN 9021 M8 TRIVALENT (extØ	ARANDELA PLANA DIN 9021 M8 TRIVALENTE (e	RONDELLE PIANE DIN 9021 M8 TRIVALENT (ex
23	165621	BIC HEX SCREW DIN933-8,8 M6X10	TOR.EX.DIN933-8.8 B.TRI.M 6X10	VIS HEX DIN933-8,8 BICR M6X10
24	149526	BICR.WASHER B DIN125-ST 6,4	ARAN.B DIN125-ST B.TRI. 6,4	BICR.WASHER B DIN125-ST 6,4
25	269126	WASHER 60X17X12	ARANDELA 60X17X12 TRIVALEN.	RONDELLE 60X17X12
26	140525	CLAMP 2244-0	BRIDA UNEX 2244-0 *	BRIDE 2244-0
27	354597	QUICK NUT TRT M8-1 0212829	TUER.RAPIDA TRT M8-1 0212829	ECROU RAPIDE TRT M8-1 0212829
28	277251	FRONT LID	TAPA FRONTAL	COUVERCLE FRONTAL
29	277244	FRONT PLATE	PLACA FRONTAL	PLAQUE FRONTAL
30	254292	OUTER-DRUM FRONT CROWN	CORONA FRONTAL ENVOLVENTE	COURONNE FRONTAL CUVE
31	222000	OUTER-DRUM FRONT PANEL	FRONTAL ENVOLVENTE	FRONTAL CUVE
32	243279	OUTER-DRUM FIXING RING	ARO FIJACION ENVOLVENTE	BAGUE FIXATION CUVE
33	438317	OUTER-DRUM	ENVOLVENTE	CUVE
34	262915	REAR PLATE	PLACA POSTERIOR	PLAQUE ARRIERE
35	242958	REAR PLATE ANGLE	ANGULO PLACA POSTERIOR	ANGLE PLAQUE ARRIERE
36	245142	CLAMP	BRIDA	BRIDE
37	195966	BI.HEX SCREW DIN931-8. M16X120	TOR.EX.DIN931-8.8 BICR.M16X120	VIS HEX.DIN931-8,8 BIC.M16X120
38	149385	BICR.WASHER B DIN125-ST 17	ARAN.B DIN125-ST B.TRI.17	RONDELLE B DIN125-ST BICR.17
39	173260	SELF-LOCKING NUT DIN985-8B.TRI.M16	TUER.AUTOBL.DIN985-8B.TRI.M16	ECROU AUTOBLOCANT DIN985-8B.TRI.M16
40	175786	BIC.HEX SCREW DIN933-8.M16X40	TOR.EX.DIN933-8.8 B.TRI.M16X40	VIS HEX.DIN933-8,8 BICR M16X40
41	355198	HEX SCREW DIN 931 8,8 M12x60 TRIVALENT	TORNILLO HEXAGONAL DIN 931 8,8 M12x60 TR	VIS HEXAGONALE DIN 931 8,8 M12x60 TRIVAL
42	115428	WASHER 30X10,5X3	ARANDELA 30X10,5X3 TRIVALEN.	RONDELLE 30X10,5X3
43	150649	SELF-LOCKING NUT DIN985-8 B.TRI.M10	TUER.AUTOB.DIN985-8 B.TRI.M10	ECROU AUTOBLOCANT DIN985-8 B.TRI.M10
44	164087	INOX HEX SCREW DIN933 M10X40	TOR.EX.DIN933INOX A2-70 M10X40	VIS HEX INOX DIN933 M10X40

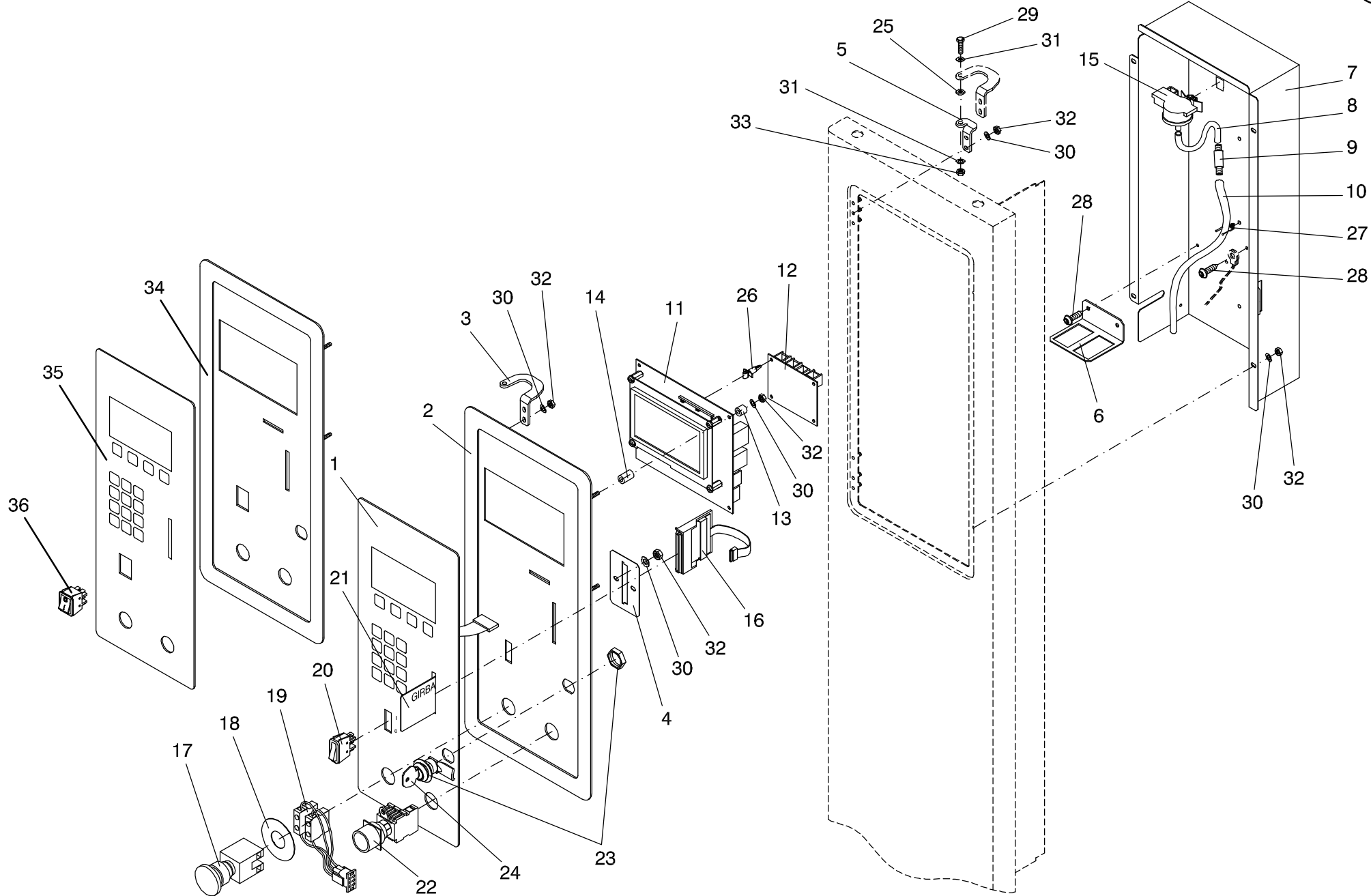
N°	REF	DENOMINATION	DENOMINACIÓN	DENOMINATION
45	175273	USIT GASKET TYPE UA 16X10X1,5	JUNTA USIT TIPO UA 16X10X1,5	JOINT USIT TYPE UA 16X10X1,5
46	147009	HEX SCREW 8G DIN 933 M-10X25	TOR.EX.DIN933-8.8 B.TRI.M10X25	VIS HEX. DIN 933 M-10X25 8G
47	175703	HEX SCREW 8G DIN 931 M-14X100	TOR.EX.DIN931-8.8B.TRI.M14X100	VIS HEX 8G DIN 931 M-14X100
48	149393	WASHER DIN 125B M14 ST TRIVALENT	ARANDELA DIN 125B M14 ST TRIVALENTE	RONDELLE DIN 125B M14 ST TRIVALENT
49	164350	SELF-LOCKING NUT DIN 985 8 M14 TRIVALENT	TUERCA AUTOBLOCANTE DIN 985 8 M14 TRIVAL	ECROU AUTOFREINE DIN 985 8 M14 TRIVALENT
50	183400	PLATE SCREW ST-4, 20 P.F. C/AL.T25	TORNILLO CHAPA ST-4 (ESPECIAL)*	VIS PLAQUE ST-4, 20 P.F. C/AL.T25
51	175729	HEX SCREW 8G DIN 931 M-16X100	TOR.EX.DIN931-8.8B.TRI.M16X100	VIS HEX 8G DIN 931 M-16X100
52	438721	LOADING HOOK	GANCHO DE CARGA	CROCHET DE CHARGEMENT
53	193862	NTC RESISTANCE	RESISTENCIA NTC	RESISTANCE NTC
54	256149	SENSOR SHEATH LODGING	PASAMUROS SENSOR	LOGEMENT SENSEUR
55	409599	PROTECTION SCREEN	PANTALLA PROTECCION	ÉCRAN PROTECTION
56	262923	OUTER-DRUM SEMI-RING	SEMI-ARO ENVOLVENTE	DEMI-BAGUE CUVE
57	451773	OUTER-DRUM BOTTOM PLATE	FONDO ENVOLVENTE	FOND CUVE
58	244830	OUTER-DRUM FIXING RING	ARO FIJACION ENVOLVENTE	BAGUE FIXATION CUVE
59	145342	SCREW DIN 85 M8X20	TOR.ALOM.INOX DIN 85 M 8X20	VIS DIN 85 M8X20
60	176834	SELF-LOCKING NUT DIN985-8 B.TRI.M6	TUER.AUTOBL.DIN985-8 B.TRI.M6	ECROU AUTOBLOCANT DIN985-8 B.TRI.M6
61	219543	ANTI-VIBRATION PIECE	PIEZA ANTI-VIBRACION	PIECE ANTI-VIBRATION
62	146233	BICR.HEX SCREW DIN933-8 M6X15	TOR.EX.DIN933-8.8 B.TRI.M 6X15	VIS HEX DIN933-8.8 BICR.M6X15
63	165472	ETHILENE-PROP. PROFILE (1 METER)	PERFIL ETILENO-PROP.REF.44117L (1 METRO)	PROFILE ETHILENE-PROP. (1 METRE)
64	157271	INOX HEX SCREW DIN933 M10X35	TOR.EX.DIN933INOX A2-70 M10X35	VIS HEX INOX DIN933 M10X35
65	181313	ALLEN SCREW DIN912 M12X35	TOR.ALLDIN912-8.8 B.TRI.M12X35	VIS ALLEN DIN912 M12X35
66	150763	FLEXIBLE PIN DIN1481 D4X10	PASADOR ELASTICO DIN1481 D4X10	GOUJON ELASTIQUE DIN1481 D4X10
67	146399	BICR HEX SCREW DIN933-8 M8X20	TOR.EX.DIN933-8.8 B.TRI.M 8X20	VIS HEX DIN933-8.8 BICR.M8X20
68	164285	SELF-LOCKING NUT DIN985-8 B.TRI.M8	TUER.AUTOBL.DIN985-8 B.TRI.M8	ECROU AUTOBLOCANT DIN985-8 B.TRI.M8
69	200626	WASHER 50X17X9	ARANDELA 50X17X9 TRIVALEN.	RONDELLE 50X17X9
70	278853	WASHER 30X12,5X4	ARANDELA 30X12,5X4 TRIVALEN.	RONDELLE 30X12,5X4
71	150656	SELF-LOCKING NUT DIN985-8 B.TRI.M12	TUER.AUTOB.DIN985-8 B.TRI.M12	ECROU AUTOBLOCANT DIN985-8 B.TRI.M12
72	175679	HEX SCREW 8G DIN 933 M-10X 45	TOR.EX.DIN933-8.8 B.TRI.M10X45	VIS HEX 8G DIN 933 M-10X 45

N°	REF	DENOMINATION	DENOMINACIÓN	DENOMINATION
73	146688	HEX SCREW DIN 933 8,8 M12x50 TRIVALENT	TORNILLO HEXAGONAL DIN 933 8,8 M12x50 TR	VIS HEXAGONALE DIN 933 8,8 M12x50 TRIVAL
74	149351	WASHER DIN 125B M8 INOX A2	ARANDELA DIN 125B M8 INOX A2	RONDELLE DIN 125B M8 INOX A2
75	505347	ANTI-VIBRATION TGRIM	BURLETE ANTIVIBRANTE	GARNITURE ANTI-VIBRATION
76	455758	DRAIN HOSE BRACKET SQUARE	ESCUADRA SOPORTE TUBO DESAGÜE	EQUERRE SUPPORT TUBE VIDANGE
77	174599	TERMINAL RE V-4 LEFT	TERMINAL REF.V-4 IZQUIERDA	TERMINAL REF V-4 GAUCHE
78	242966	PROTECTION PROFILE	PERFIL PROTECCION	PROFILE PROTECTION
79	174581	TERMINAL RE. V-4 RIGHT	TERMINAL REF.V-4 DERECHA	TERMINAL REF.V-4 DROITE
80	110114	PROFILE EXTRA 5463GREY 6X9X4 (1 METER)	BURL.AISLAN.TESA 5463-22 6X9X4 (1 METRO)	PROFILE EXTRA 5463GRIS 6X9X4 (1 METRE)
81	438960	CONTROL PANEL	PANEL DE MANDOS	PANNEAU CONTRÔLE

Nº	REF	DENOMINATION	DENOMINACIÓN	DENOMINATION
1	512517	SAFETY LOCK BRACKET	SOPORTE CIERRE SEGURIDAD	SUPPORT FERMETURE DE SECURITE
2	144352	ALLEN SCREW DIN 912 8,8 M6x25 TRIVALENT	TORNILLO ALLEN DIN 912 8,8 M6x25 TRIVALE	VIS ALLEN DIN 912 8,8 M6x25 TRIVALENT
3	276527	LOCK END-PIECE	TOPE CIERRE	ARRET FERMETURE
4	276485	LOCK SHAFT	EJE CIERRE	AXE FERMETURE
5	506311	18X18 PLATE	PLETINA DE 18X8	PLAQUE DE 18X18
6	199257	KNOB	EMPUÑADURA	POIGNEE
7	115733	WASHER 16X7X3	ARANDELA 16X7X3 TRIVALEN.	RONDELLE 16X7X3
8	165621	BIC HEX SCREW DIN933-8,8 M6X10	TOR.EX.DIN933-8.8 B.TRI.M 6X10	VIS HEX DIN933-8,8 BICR M6X10
9	189993	KNOB STOPPER	TAPON EMPUÑADURA	BOUCHON POIGNEE
10	193599	KNOB PLATE	PLACA EMPUÑADURA	PLAQUE POIGNEE
11	438309	DOOR HOLDER	PORTA-MIRILLA	SUPPORT HUBLLOT
12	290627	DOOR BUMP	ESPARRAGO ESCOTILLA	GOUJON HUBLLOT
13	350561	SELFOIL SLEEVE B11A22-28-30	COJ. SELFOIL B11A22-28-30	FRETTE SELFOIL B11A22-28-30
14	176008	DOOR GASKET	JUNTA ESCOTILLA	JOINT HUBLLOT
	342626	SILICON DOOR GASKET * (SPARE PARTS ONLY)	JUNTA ESCOTILLA SILICONA * (SOLO RECAMBIOS)	JOINT HUBLLOT SILICON * (SEULEMENT PIECES DETACHEES)
15	216820	DOOR GASKET CLIP	GRAPA JUNTA ESCOTILLA	CLIP JOINT HUBLLOT
16	149906	INOX. HEX. NUT DIN 934 M-3	TUER.EX.DIN934 INOX A2-70 M 3	ECROU HEX. INOX DIN934 M-3
17	146035	BICR CYL SCREW DIN84 M-3X10	TOR.CIL.DIN84-4.8 B.TRI.M 3X10	VIS CYL BICR DIN84-4.8 M 3X10
18	279810	LOCKING BOX COVER	TAPETA CAJA CIERRE	COUVERCLE BOITE FERMETURE
19	302331	ALLEN SCREW DIN 912 8,8 M6x35 TRIVALENT	TORNILLO ALLEN DIN 912 8,8 M6x35 TRIVALE	VIS ALLEN DIN 912 8,8 M6x35 TRIVALENT
20	276543	LOCKING BASE	BASE CIERRE	BASE FERMETURE
21	149948	HEX NUT DIN-934 A2-70 M12	TUERCA HEXAGONAL DIN-934 A2-70 M12	ECROU HEXAGONALE DIN-934 A2-70 M12
22	149302	WASHER DIN 125B M12 A2	ARANDELA DIN 125B M12 A2	RONDELLE DIN 125B M12 A2
23	279760	MICROSWITCH	MINIRRUPTOR	MICRORRUPTEUR
24	281113	MICROSWITCH ISOLATION	AISLANTE MICRORRUPTOR	ISOLANT MICRORRUPTEUR
25	303131	COUNTERSUNK SCREW DIN 963 4,8 M3x20 TRIV	TORNILLO AVELLANADO DIN 963 4,8 M3x20 TR	VIS FRAISEE DIN 963 4,8 M3x20 TRIVALENT
26	149484	WASHER DIN 125B M3 ST TRIVALENT	ARANDELA DIN 125B M3 ST TRIVALENTE	RONDELLE DIN 125B M3 ST TRIVALENT
27	150151	INOX BLIND NUT DIN 1587 M-4	TUERCA CIE.INOX LAR.DIN1587M 4	ECROU AVEUGLE INOX DIN 1587 M4

Nº	REF	DENOMINATION	DENOMINACIÓN	DENOMINATION
28	276519	KNOB ROLL	RODILLO EMPUÑADURA	ROULEAU POIGNEE
29	276477	KNOB BOLT	BULON EMPUÑADURA	BOULON POIGNEE
30	149526	BICR.WASHER B DIN125-ST 6,4	ARAN.B DIN125-ST B.TRI. 6,4	BICR.WASHER B DIN125-ST 6,4
31	176834	SELF-LOCKING NUT DIN985-8 B.TRI.M6	TUER.AUTOBL.DIN985-8 B.TRI.M6	ECROU AUTOBLOCANT DIN985-8 B.TRI.M6
32	199307	SAFETY LOCK BOX	CAJA CIERRE SEGURIDAD	BOITE FERMETURE SECURITE
33	300632	INOX A2-70 SCREW DIN85 M5X 8	TOR.PLA.DIN85 INOX A2-70 M5X 8	VIS DIN85 INOX A2-70 M5X 8
34	149369	INOX A2 WASHER DIN 125 5,3	ARAN. DIN125 INOX A2 5,3	RONDELLE INOX A2 DIN 125 5,3
35	278036	WIRE PROTECTION HOSE	TUBO PROTECCION CABLES	TUBE PROTECTION CABLES
36	276824	WIRE PROTECTION CLAMP	BRIDA PROTECCION CABLES	BRIDE PROTECTION CABLES
37	144774	HEX SCREW DIN 933 A2-70 M5x10	TORNILLO HEXAGONAL DIN 933 A2-70 M5x10	VIS HEXAGONALE DIN 933 A2-70 M5x10
38	283689	LOCK KNOB JOINTING	UNION EMPUÑADURA CIERRE	UNION POIGNEE FERMETURE
39	283697	SAFETY LOCK COIL	BOBINA CIERRE SEGURIDAD	BOBINE FERMETURE SECURITE
40	147561	SCREW DIN963-4.8 M 3X 7	TOR.AV.DIN963-4.8 B.TRI.M 3X 7	VIS DIN963-4.8 BICR M 3X 7
41	300665	COIL SPRING	MUELLE BOBINA	RESSORT BOBINE
42	150698	FLEXIBLE PIN DIN1481 D3X10	PASADOR ELASTICO DIN1481 D3X10	GOUJON ELASTIQUE DIN1481 D3X10
43	276402	SLIDING BLOCKER	BLOQUEADOR DESLIZANTE	BLOQUEUR COULISSANT
44	175224	RECTIFIER BRIDGE	PUENTE RECTIFICADOR *	PONT RECTIFIEUR
45	199240	BICR.SCREW DIN963-4.8 M4X30	TOR.AV.DIN963-4.8 B.TRI M 4X30	VIS T/FRAIS.DIN963-4 BIC.M4X30
46	300467	CYLINDER SEPARATOR SS10-4 CPVC	SEPARADOR CILINDR.SS10-4 CPVC	SEPARATEUR CYLINDR.SS10-4 CPVC
47	149476	BICR.WASHER B DIN125-ST 4,3	ARAN.B DIN125-ST B.TRI. 4,3	RONDELLE B DIN125-ST BICR.4,3
48	150185	BICR.HEX.NUT DIN934-8 M4	TUER.EX.DIN934-8 B.TRI.M 4	ECROU HEX.DIN934-8 BICR.M4
49	438259	DOOR	CUERPO ESCOTILLA	HUBLOT
50	604272	DOOR LOCK PIECE	PIEZA CIERRE SEGURIDAD	PIECE FERMETURE HUBLOT
51	144295	BICR.SCREW ALLEN912-8.8 M 5X25	TOR.ALDDIN912-8.8 B.TRI.M 5X25	VIS ALLDIN912-8.8 BICR.M 5X 25
52	174482	SELFOIL SLEEVE B11B22-28-25/33	COJ. SELFOIL B11B22-28-25/33-4	FRETTE SELFOIL B11B22-28-25/33
53	438283	HINGE	BISAGRA	CHARNIERE
54	175752	ALLEN SCREW DIN 912 M-20X60	TOR.ALDDIN912-8.8 B.TRI.M20X60	VIS ALLEN DIN 912 M-20X60
55	438291	HINGE	BISAGRA	CHARNIERE

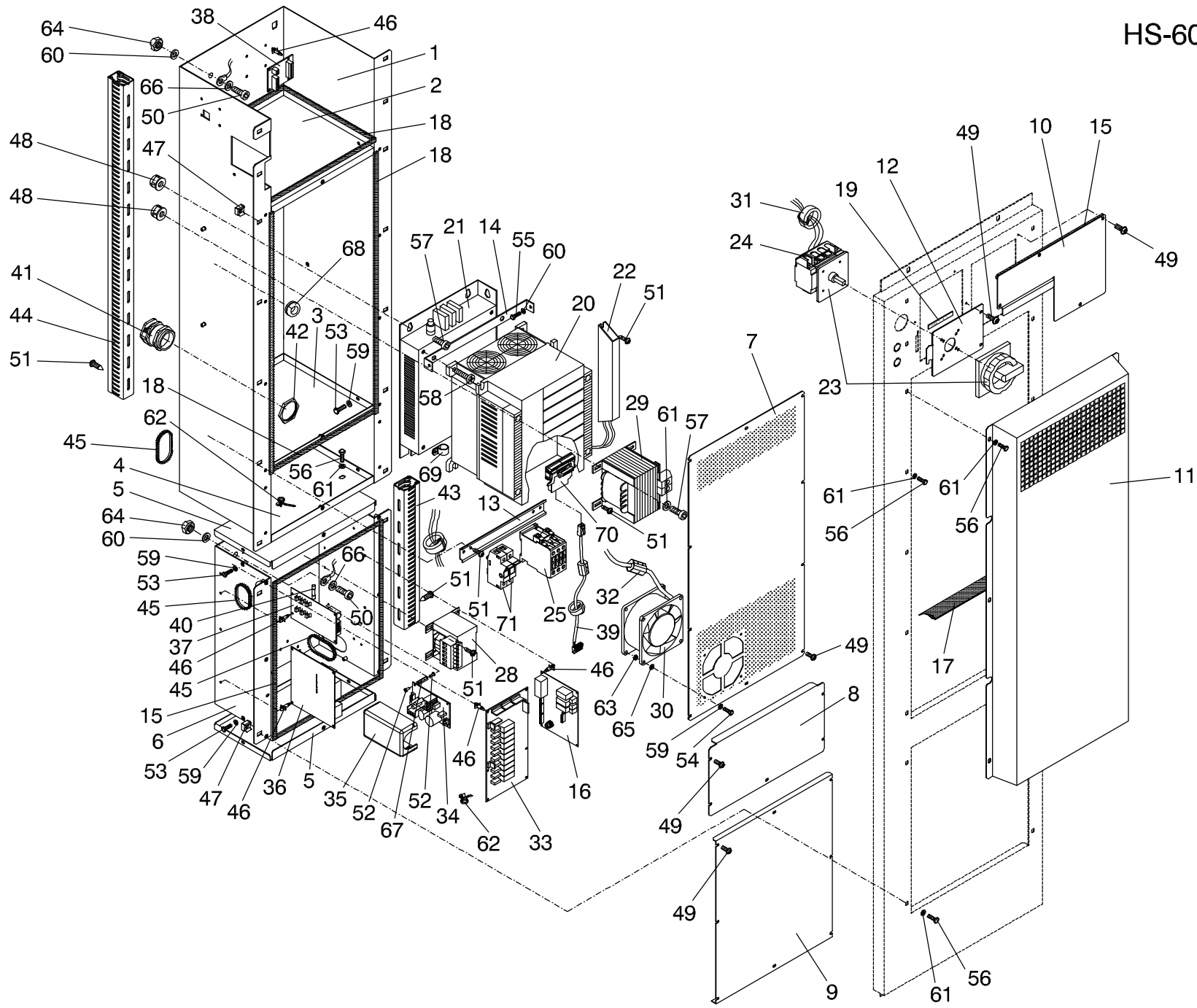
Nº	REF	DENOMINATION	DENOMINACIÓN	DENOMINATION
56	116129	SCREW GASKET	JUNTA TORNILLO	JOINT VIS
57	176776	CONICAL END FIG. 26 D38	TOPE CONICO FIG.26 D38	ARRET CONIQUE FIG. 26 D38
58	175778	ALLEN BUMP DIN 916 M-8X15	ESP.ALL.DIN916-10.9 M 8X15	GOUJON ALLEN DIN 916 M-8X15
59	206995	DOOR BOLT	BULON ESCOTILLA	BOULON HUBLLOT
60	174524	FLEXIBLE RING E-22 DIN 471	ANILLO ELASTICO E-22 DIN 471	BAGUE ELASTIQUE E-22 DIN 471
61	276857	MICROSWITCH BRACKET	SOPORTE MICRORRUPTOR	SUPPORT MICRORRUPTEUR
62	146043	BIC CYL SCREW DIN84-4,8 M3X16	TOR.CIL.DIN84-4.8 B.TRI.M 3X16	VIS CYL DIN84-4,8 BICR.M3X16
63	276907	MICROSWITCH ACTIVATOR BOLT	PERNO ACCIONADOR MICRORRUPTOR	BOULON ACCIONATEUR MICRORRUPT.
64	198069	SPRING	MUELLE COMPENSADOR	RESSORT
65	149922	INOX HEX. NUT DIN 934 M-4	TUER.EX.DIN934 INOX A2-70 M 4	ECROU HEX. INOX DIN 934 M-4
66	276873	MICROSWITCH DRIVE	ACCIONADOR MICRORRUPTOR	ACTIONNEMENT MICRORRUPTEUR
67	276840	GUIDE SLEEVE	CASQUILLO GUIA	FRETTE GUIDE
68	439430	PROTECTION COVER	TAPA PROTECCION	COUVERCLE PROTECTION
69	326116	SCREW 410TT85T 4X10 INOX	TORNILLO 410TT85T 4X10 INOX (ESPECIAL)	VIS 410TT85T 4X10 INOX
70	149328	INOX A2 WASHER DIN 125 4,3	ARAN. DIN125 INOX A2 4,3	RONDELLE INOX A2 DIN 125 4,3
71	145649	INOX FLAT SCREW DIN85 M 4X10	TOR.PLA.DIN85 INOX A2-70 M4X10	VIS PLAT INOX DIN85 M-4X10 A2
72	276899	WIRE PROTECTION HOSE	TUBO PROTECCION CABLES	TUBE PROTECTION CABLES
73	200212	DOOR END-PIECE	TOPE ESCOTILLA	ARRET HUBLLOT
74	244202	DOOR RING	ARO ESCOTILLA	BAGUE HUBLLOT
	244194	COMPLETE DOOR	ESCOTILLA COMPLETA	HUBLLOT COMPLET
75	174912	GLASS SPYHOLE D519X5	MIRILLA CRISTAL D519+-1,5X5 *	VITRE D519X5
76	174920	NEOPRENE A PROFILE L.1635 MM	PERFIL A EPDM BLANCO 1635MM.	PROFILE NEOPRENE A L.1635 MM
77	244210	OUTER RING	ARO EXTERIOR	BAGUE EXTERIEUR



Nº	REF	DENOMINATION	DENOMINACIÓN	DENOMINATION
1	350215	KEYBOARD IC	TECLADO LAVADORA IC	CLAVIER IC
	350082	KEYBOARD IC (WITH TILTING) (WITH HELP)	TECLADO LAVADORA IC (CON VOLQUETE) (CON HELP)	CLAVIER IC (AVEC SOCLE BASCULANT) (AVEC HELP)
2	447177	SIDE CONTROL PANEL	PANEL DE MANDOS LATERAL	PANNEAU DE COMMANDES LATERAL
3	353797	HINGE CONTROL PANEL	BISAGRA PANEL DE MANDOS LAT.	CHARNIERE TABLEAU COMMANDE
4	423020	CARD FIXING-PIECE SMARTCARD	FIJACION TARJETA SMARTCARD	FIXATION TARGETTE SMARTCARD
5	349993	CONTROL PANEL HINGE	BISAGRA PANEL DE MANDOS	CHARNIERE TABLEAU COMMANDE
6	520924	CONNECTOR BRACKET	SOPORTE CONECTORAS	SUPPORT CONNECTEURS
7	447136	CONTROL PANEL BOX	CAJA PANEL DE MANDOS	BOITE PANNEAU DE COMMANDES
8	279588	AIR CONDUCTION HOSE	TUBO CONDUCCION AIRE	TUBE CONDUITE AIR
9	120956	LEVEL PRESSURE-SWITCH INTAKE	TOMA PRESOSTATO NIVEL	PRISE PRESSOSTAT NIVEAU
10	283523	PRESSOSTAT HOSE	TUBO PRESOSTATO	TUBE PRESSOSTAT
11	506808	SCREEN KIT LCD IC	CONJUNTO PANTALLA LCD IC	ENSEMBLE ÉCRAN LCD IC
12	565895	COMMUNICATION BOARD COM-C * (WITH COM)	PLACA COMUNICACIONES COM-C * (PARA COM)	PLAQUE COMMUNICATIONS COM-C/609164 (AVEC COM)
13	322768	MICRO BOARD SEPARATOR	SEPARADOR PLACA MICRO	SEPARATEUR PLAQUE MICRO
14	338038	MICRO BOARD SPACER	SEPARADOR PLACA MICRO	SEPARATEUR PLAQUE MICRO
15	322784	PRESSURE TRANSMITTER 400.95100	TRANSM.PRESION HUBA 400.95100	PRESSOSTAT HUBA 400.95100
16	332684	INTELI SMARTCARD SOCKET	ZOCALO TARJETA INTELI *	SOCLE TARGETTE SMARTCARD INTEL
17	341511	EMERGENCY STOP IC	PARO EMERGENCIA IC	ARRET EMERGENCE IC
18	192294	YELLOW RING	ARO AMARILLO	BAGUE JAUNE
19	447094	EMERGENCY STOP PLUG	CONECTORA PARO EMERGENCIA	CONNECTEUR ARRET EMERGENCE
20	300780	SWITCH C1500AL AAG WHITE	INTERRUPTOR C1500AL AAG	INTERRUPTEUR C1500AL AAG BLANC
21	340539	INTELI SMARTCARD CARD	TARJETA SMARTCARD INTELI	CARTE SMARTCARD INTELI
22	510677	TILT PUSH-BUTTON/HELP SERIAL-6 (WITH TILTING) (WITH HELP)	PULSADOR TILT/HELP SERIE-6 (CON VOLQUETE) (CON HELP)	BOUTON-POUSSOIR TILT/HELP SERIE-6 (AVEC SOCLE BASCULANT) (AVEC HELP)
23	196915	LOCK RE.20.00.02.05 (KEYS INCLUDED)	CERRADURA REF.20.00.02.05 * (INCLUYE LLAVES)	FERMETURE REF.20.00.02.05 (CLES COMPRISES)
24	196923	LOCK KEY RE.10.41.213	LLAVE REF.10.41.213 COMB.T-205	CLE FERMETURE REF.10.41.213

N°	REF	DENOMINATION	DENOMINACIÓN	DENOMINATION
25	279901	SEPARATOR WASHER	ARANDELA 13X6.25X 2 NYLON	RONDELLE SEPARATEUR
26	332809	CIRCUIT BRACKET LCBS-4-7-01	SOPORTE CIRCUITO LCBS-4-7-01	SUPPORT CIRCUIT LCBS-4-7-01
27	199893	CLAMP STL-450-3-01	ABRAZADERA STL-450-3-01	BRIDE STL-450-3-01
28	183400	PLATE SCREW ST-4, 20 P.F. C/AL.T25	TORNILLO CHAPA ST-4 (ESPECIAL)*	VIS PLAQUE ST-4, 20 P.F. C/AL.T25
29	146290	BICR.HEX SCREW DIN933-8 M-5X20	TOR.EX.DIN933-8.8 B.TRI.M 5X20	VIS HEX BICR.DIN933-8.8 M-5X20
30	149476	BICR.WASHER B DIN125-ST 4,3	ARAN.B DIN125-ST B.TRI. 4,3	RONDELLE B DIN125-ST BICR.4,3
31	149534	BICR.WASHER B DIN125-ST 5,3	ARAN.B DIN125-ST BICR. 5,3	RONDELLE B BICR.DIN125-ST 5,3
32	150185	BICR.HEX.NUT DIN934-8 M4	TUER.EX.DIN934-8 B.TRI.M 4	ECROU HEX.DIN934-8 BICR.M4
33	176826	SELF-LOCKING NUT DIN985-8 B.TRI.M5	TUER.AUTOBL.DIN985-8 B.TRI.M5	ECROU AUTOBLOCANT DIN 985-8 B.TRI.M5

Nº	REF	DENOMINATION	DENOMINACIÓN	DENOMINATION
		FROM MACHINE Nr: 2.161.280 1.510.073	A PARTIR DE LA MAQUINA No : 2.161.280 1.510.073	A PARTIR DE LA MACHINE NR: 2.161.280 1.510.073
34	632653	SIDE CONTROL PANEL	PANEL DE MANDOS LATERAL	PANNEAU DE COMMANDES LATERAL
35	632612	KEYBOARD IC	TECLADO LAVADORA IC	CLAVIER IC
	632604	KEYBOARD IC (WITH TILTING) (WITH HELP)	TECLADO LAVADORA IC (CON VOLQUETE) (CON HELP)	CLAVIER IC (AVEC SOCLE BASCULANT) (AVEC HELP)
36	587519	SWITCH C1550AL	INTERRUPTOR C1550AL	INTERRUPTEUR C1550AL



Nº	REF	DENOMINATION	DENOMINACIÓN	DENOMINATION
1	455006	INVERTER INSTALLATION PLATE	PLACA INSTALACION CONVERTIDOR	PLAQUE INSTALLATION CONVERTISSEUR
2	455014	UPPER CEM COVER	TAPA CEM SUPERIOR	COUVERCLE CEM SUPERIEUR
3	455030	INTERMEDIARY CEM COVER	TAPA CEM INTERMEDIA	COUVERCLE CEM INTERMEDIAIRE
4	455063	LOWER CEM COVER	TAPA CEM INFERIOR	COUVERCLE CEM INFERIEUR
5	454868	ELECTRIC BOX PLATE	FONDO ARMARIO ELECTRICO	FOND ARMOIRE ELECTRIQUE
6	454751	ELECTRIC BOX CASE	CAJA ARMARIO ELECTRICO	BOITE ARMOIRE ELECTRIQUE
7	455113	CEM COVER	TAPA CEM	COUVERCLE CEM
8	455121	ELECTRIC CONTROL COVER	TAPA CUADRO ELECTRICO	COUVERCLE PANNEAU ELECTRIQUE
9	454645	ELECTRIC BOX COVER	TAPA ARMARIO ELECTRICO	COUVERCLE ARMOIRE ELECTRIQUE
10	455154	POWER INLET COVER (PROFILE INCLUDED)	TAPA ENTRADA CORRIENTE (INCLUYE PERFIL)	COUVERCLE ENTREE COURANT (COMPRIS PROFILE)
11	454777	AIR CONDUCTION LID (PROFILE INCLUDED)	TAPA CONDUCCION AIRE (INCLUYE PERFIL)	COUVERCLE CONDUCTION AIR (COMPRIS PROFILE)
12	431114	SELECTOR COVER	TAPA SELECTOR	COUVERCLE SELECTEUR
13	245571	CONTACTOR FIXING PROFILE	PERFIL FIJACION CONTACTORES	PROFILE FIXATION CONTACTEURS
14	504803	FILTER-INVERTER BRACKET	SOPORTE FILTRO-CONVERTIDOR	SUPPORT FILTRE-CONVERTISSEUR
15	110114	PROFILE EXTRA 5463GREY 6X9X4 (1 METER)	BURL.AISLAN.TESA 5463-22 6X9X4 (1 METRO)	PROFILE EXTRA 5463GRIS 6X9X4 (1 METRE)
16	456509	INTELI BOARD E/S-3/A (TILT) (WITH TILTING) (WITH HELP)	PLACA INTELI E/S-3/A (TILT) (CON VOLQUETE) (CON HELP)	PLAQUE INTELI E/S-3/A (TILT) (AVEC SOCLE BASCULANT) (AVEC HELP)
17	454975	OBTURATOR PROFILE	PERFIL OBTURADOR	PROFILE OBTURATEUR
18	321273	PROFILE E0813T00000 UL94HB (1 METER)	PERFIL E0813R00000 UL94HB (1 METRO)	PROFILE E0813T00000 UL94HB (1 METRE)
19	321265	CONNECTION TERMINAL PLATE	PLACA BORNES CONEXION	PLAQUE BORNE CONNECTION
20	360438	CONVERTER FRN11E1S-2J * (FOR 200V-208V-220V-230V-240V) (FOR (208+240)V)	CONVERTIDOR FRN11E1S-2J * (PARA 200V-208V-220V-230V-240V) (PARA (208+240)V)	CONVERTISSEUR FRN11E1S-2J * (POUR 200V-208V-220V-230V-240V) (POUR (208+240)V)
	360446	CONVERTER FRN11E1S-4E * (FOR 380V-400V-415V-440V-480V) (FOR (440+480)V)	CONVERTIDOR FRN11E1S-4E * (PARA 380V-400V-415V-440V-480V) (PARA (440+480)V)	CONVERTISSEUR FRN11E1S-4E * (POUR 380V-400V-415V-440V-480V) (POUR (440+480)V)
	604348	FAN FUJI SP_G1S-FAN7.5 (FOR 380-480V)	VENTILADOR FUJI SP_G1S-FAN7.5 (PARA 380-480V)	VENTILATEUR FUJI SP_G1S-FAN7.5 (POUR 380-480V)

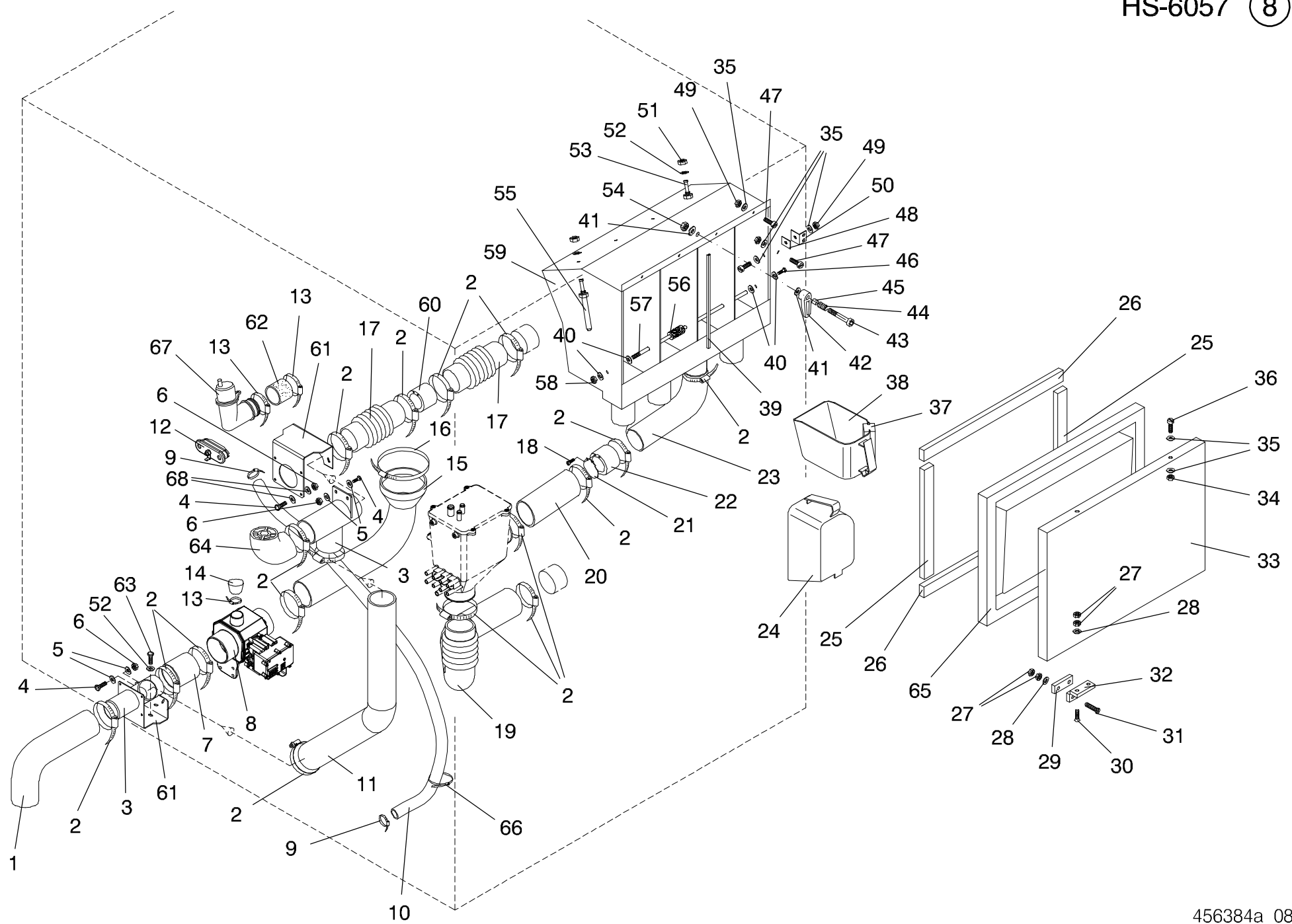
N°	REF	DENOMINATION	DENOMINACIÓN	DENOMINATION
	604298	FAN FUJI SP_G1S-FAN11-2 (FOR 200V-208V-220V-230V-240V)	VENTILADOR FUJI SP_G1S-FAN11-2 (PARA 200V-208V-220V-230V-240V)	VENTILATEUR FUJI SP_G1S-FAN11-2 (POUR 200V-208V-220V-230V-240V)
21	360453	FILTER TYPE FS21312-44-07-1	FILTRO TIPO FS21312-44-07-1	FILTRE TP.FS21312-44-07-1
22	456681	RESISTENCIA FRENO 100W 40OHM (FOR 200V-208V-220V-230V-240V) (FOR (208+240)V)	RESISTENCIA FRENO 100W 40OHM (PARA 200V-208V-220V-230V-240V) (PARA (208+240)V)	RESISTENCIA FRENO 100W 40OHM (POUR 200V-208V-220V-230V-240V) (POUR (208+240)V)
	456699	BRAKING RESISTANCE 100W 160OHM (FOR 380V-400V-415V-440V-480V) (FOR (440+480)V)	RESISTENCIA FRENO 100W 160OHM (PARA 380V-400V-415V-440V-480V) (PARA (440+480)V)	RESISTENCE FREIN 100W 160OHM (POUR 380V-400V-415V-440V-480V) (POUR (440+480)V)
23	320887	PAQUET.SWITCH 3LD2 203-0TK53	INTERRUP.PAQUET.3LD2 203-0TK53	INTERRUP.PAQUET.3LD2 203-0TK53
24	320895	TERMINAL PE 3LD9220-2B	BORNE PE 3LD9220-2B	BORNE PE 3LD9220-2B
25	320846	CONTACTOR 3RT10 24-1AL2	CONTACTOR 3RT10 24-1AL200	CONTACTEUR 3RT10 24-1AL2
	321240	COIL 3RT1924-5AL21 230-50/60	BOBINA 3RT1924-5AL21 230-50/60	BOBINE 3RT1924-5AL21 230-50/60
28	320929	TRANSFORMER IP00 160 VA (FOR 200V-208V-220V-230V-240V) (FOR (208+240)V)	TRANSFORMADOR IP00 160VA CSA * (PARA 200V-208V-220V-230V-240V) (PARA (208+240)V)	TRANSFORMATEUR IP00 160 VA (POUR 200V-208V-220V-230V-240V) (POUR (208+240)V)
	320937	TRANSFORMER IP00 160 VA (FOR 380V-400V-415V-440V-480V) (FOR (440+480)V)	TRANSFORMADOR IP00 160VA CSA * (PARA 380V-400V-415V-440V-480V) (PARA (440+480)V)	TRANSFORMATEUR IP00 160 VA (POUR 380V-400V-415V-440V-480V) (POUR (440+480)V)
29	318428	INDUCTANCE DCR003 (FOR 200V-208V-220V-230V-240V) (FOR (208+240)V)	INDUCTANCIA DCR003 CSA * (PARA 200V-208V-220V-230V-240V) (PARA (208+240)V)	INDUCTANCE DCR003 (POUR 200V-208V-220V-230V-240V) (POUR (208+240)V)
	320978	INDUCTANCE DCR005 (FOR 380V-400V-415V-440V-480V) (FOR (440+480)V)	INDUCTANCIA DCR005 CSA * (PARA 380V-400V-415V-440V-480V) (PARA (440+480)V)	INDUCTANCE DCR005 (POUR 380V-400V-415V-440V-480V) (POUR (440+480)V)
30	147884	FAN 120X120C38 220-240V	VENTILADOR 120X120X38 220-240*	VENTILATEUR 120X120C38 220-240
31	508317	FERRITE 40X24 *	FERRITA 40X24 *	FERRITE 40X24 *
32	321182	FERRITE SPLIT GRFC-13	FERRITA SPLIT GRFC-13	FERRITE SPLIT GRFC-13
33	353326	INTELI LABEL E/S-1/D	PLACA INTELI E/S-1/D	PLAQUE INTELI E/S-1/D
34	332718	POWER SOURCE MW PS-25-12	FUENTE ALIMENT.MW PS-25-12	FONT ALIMENT.MW PS-25-12
35	326843	MICROPROCESSOR PLATE COVER	TAPA PLACA MICROPROCESADOR	COUVERCLE PLAQUE MICROPROSSEUR
36	332544	INTELI BOARD E/S-2/A	PLACA INTELI E/S-2/A	PLAQUE INTELI E/S-2/4
37	332395	AUXILIARY BOARD HS-60**	PLACA AUXILIAR HS-60**	PLAQUE AUXILIAIRE HS-60**
38	365049	INTELI LABEL EXTERNAL DOSING	PLACA INTELI DOSIFICACION EXTTERNA	PLAQUE INTELI DOSAGE EXTERNE
39	446773	ELEC.INST. RS-485	INST. ELEC. RS-485	INST. ELEC. RS-485

N°	REF	DENOMINATION	DENOMINACIÓN	DENOMINATION
40	321125	FUSE SPT 1 A	CART.FUSIB.SPT 0001.2524 1 A*	CARTOUCHE FUS. SPT 1 A
41	326462	STUFFING-BOX EXADIN CLAMP PG29 BRASS	PRENSAESTOPAS EXADIN PG29 LATON	PRESSE-ETOUPEES EXADIN BRIDE PG29 LAITON
42	140277	COUNTERNUT PG29 BRASS	TUERCA PG29 LATON	CONTREECROU PG29 LAITON
43	455147	WIRETHROUGH CHANNEL	CANAL PASACABLES	CHANNEL PASSECABLES
44	455238	WIRETHROUGH CHANNEL	CANAL PASACABLES	CHANNEL PASSECABLES
45	332262	CASTING MGS-2-01	MOLDURA MGS-2-01	MOULE MGS-2-01
46	332809	CIRCUIT BRACKET LCBS-4-7-01	SOPORTE CIRCUITO LCBS-4-7-01	SUPPORT CIRCUIT LCBS-4-7-01
47	321117	NUT ENJ.M6 1,6-2,5 R.310008-7	TUER.ENJ.M6 1,6-2,5 R.310008-7	ECROU ENJ.M6 1,6-2,5 R310008-7
48	128934	CYLINDRICAL CAGED NUT M-6	TUER.ENJ.M6 CILINDR.R-310078-1	ECROU ENCAGE CYLINDRIQUE M-6
49	328229	SCREW ALO.T25 AR.18ESTR.M 4X10	TORNILLO ALOM.T25 M 4X10 (ESPECIAL)*	VIS ALOM.T25 AR.18ESTR.M 4X10
50	144295	BICR.SCREW ALLEN912-8.8 M 5X25	TOR.ALDDIN912-8.8 B.TRI.M 5X25	VIS ALLDIN912-8.8 BICR.M 5X 25
51	183400	PLATE SCREW ST-4, 20 P.F. C/AL.T25	TORNILLO CHAPA ST-4 (ESPECIAL)*	VIS PLAQUE ST-4, 20 P.F. C/AL.T25
52	322693	SCREW PT KN35X10 WN1412	TORNILLO PT KN35X10 WN1412 (ESPECIAL)	VIS PT KN35X10 WN1412
53	146258	BIC.HEX SCREW DIN933-4.8 M4X10	TOR.EX.DIN933-4.8 B.TRI.M 4X10	VIS HEX DIN933-4.8 BICR.M 4X10
54	146266	BICR.HEX SCREW DIN933-8 M-4X15	TOR.EX.DIN933-4.8 B.TRI.M 4X15	VIS HEX BICR.DIN933-8.8 M-4X15
55	146282	BICR.HEX SCREW DIN933-8 M 5X15	TOR.EX.DIN933-8.8 B.TRI.M 5X15	VIS HEX BICR.DIN933-8.8 M 5X15
56	146233	BICR.HEX SCREW DIN933-8 M6X15	TOR.EX.DIN933-8.8 B.TRI.M 6X15	VIS HEX DIN933-8.8 BICR.M6X15
57	144337	ALLEN SCREW DIN912 M 6X15	TOR.ALDDIN912-8.8 B.TRI.M 6X15	VIS ALLEN DIN912 M 6X15
58	144394	ALLEN SCREW DIN 912 8,8 M8x20 TRIVALENT	TORNILLO ALLEN DIN 912 8,8 M8x20 TRIVALE	VIS ALLEN DIN 912 8,8 M8x20 TRIVALENT
59	149476	BICR.WASHER B DIN125-ST 4,3	ARAN.B DIN125-ST B.TRI. 4,3	RONDELLE B DIN125-ST BICR.4,3
60	149534	BICR.WASHER B DIN125-ST 5,3	ARAN.B DIN125-ST BICR. 5,3	RONDELLE B BICR.DIN125-ST 5,3
61	153205	WASHER 20X7X2	ARANDELA 20X7X2 TRIVALEN.	RONDELLE 20X7X2
62	326132	CABLE TIE Ø35 NATURAL	ABRAZADERA Ø35 NATURAL	BRIDE Ø35 NATUREL
63	132043	SELF-LOCKING NUT DIN985-8 B.TRI.M 4	TUER.AUTOBL.DIN985-8 B.TRI.M 4	ECROU AUTOBLOCANT DIN985-8 B.TRI.M 4
64	150177	BICR HEX NUT DIN934-8 M5	TUER.EX.DIN934-8 B.TRI.M 5	ECROU HEX DIN934-8 BIC.M5
65	279901	SEPARATOR WASHER	ARANDELA 13X6.25X 2 NYLON	RONDELLE SEPARATEUR
66	149724	BICR EXT.TOOT.WASH.DIN6798 M5	ARAN.DEN.EXT.B.TRI.DIN6798M 5	RONDEL DEN.EX.BICR.DIN6798 M5
67	322685	SEPARATOR HEX.HS6-8	SEPARADOR EXAGONAL HS6-8	SEPARATEUR HEX. HS6-8

N°	REF	DENOMINATION	DENOMINACIÓN	DENOMINATION
68	332601	SHEATH-LODGING DGB-7	PASAMUROS DGB-7	LOGEMENT DGB-7
69	323055	ALUMINIUM CLAMP AL2	ABRAZADERA ALUMINIO AL2	BRIDE ALUMINIUM AL2
70	503557	COMMUNICATION BOARD RS485	PLACA COMUNIC.RS485 OPC-E1-RS	PLAQUE COMMUNICATIONS RS485

N°	REF	DENOMINATION	DENOMINACIÓN	DENOMINATION
		FROM MACHINE Nr: 2.160.684 1.510.043	A PARTIR DE LA MAQUINA No : 2.160.684 1.510.043	A PARTIR DE LA MACHINE NR: 2.160.684 1.510.043
		(CANCELLED) (CANCELLED)	(ANULADO) (ANULADO)	(ANNULE) (ANNULE)
508325		FUSE 10X38 UL-ATQ 1A * (CANCELLED)	FUSIBLE 10X38 UL-ATQ 1A * (ANULADO)	FUSIBLE 10X38 UL-ATQ 1A * (ANNULE)
27	306431	FUSE HOLDER 32A 10X38 (CANCELLED)	PORTAFUSIBLES 32A 10X38 1P* (ANULADO)	PORTE-FUSIBLE 32A 10X38 (ANNULE)
71	518175	AUTOMATIC SWITCH 5SY4 115-8 (FOR 200V-208V-220V-230V-240V) (FOR (208+240)V)	INTERRUPTOR AUT.5SY4 115-8 (PARA 200V-208V-220V-230V-240V) (PARA (208+240)V)	INTERRUPTEUR AUT.5SY4 115-8 (POUR 200V-208V-220V-230V-240V) (POUR (208+240)V)
	518167	AUTOMATIC SWITCH 1A (FOR 380V-400V-415V-440V-480V) (FOR (440+480)V)	INTERRUPTOR AUT. 1A CURVA D* (PARA 380V-400V-415V-440V-480V) (PARA (440+480)V)	INTERRUPTEUR AUT.1A (POUR 380V-400V-415V-440V-480V) (POUR (440+480)V)

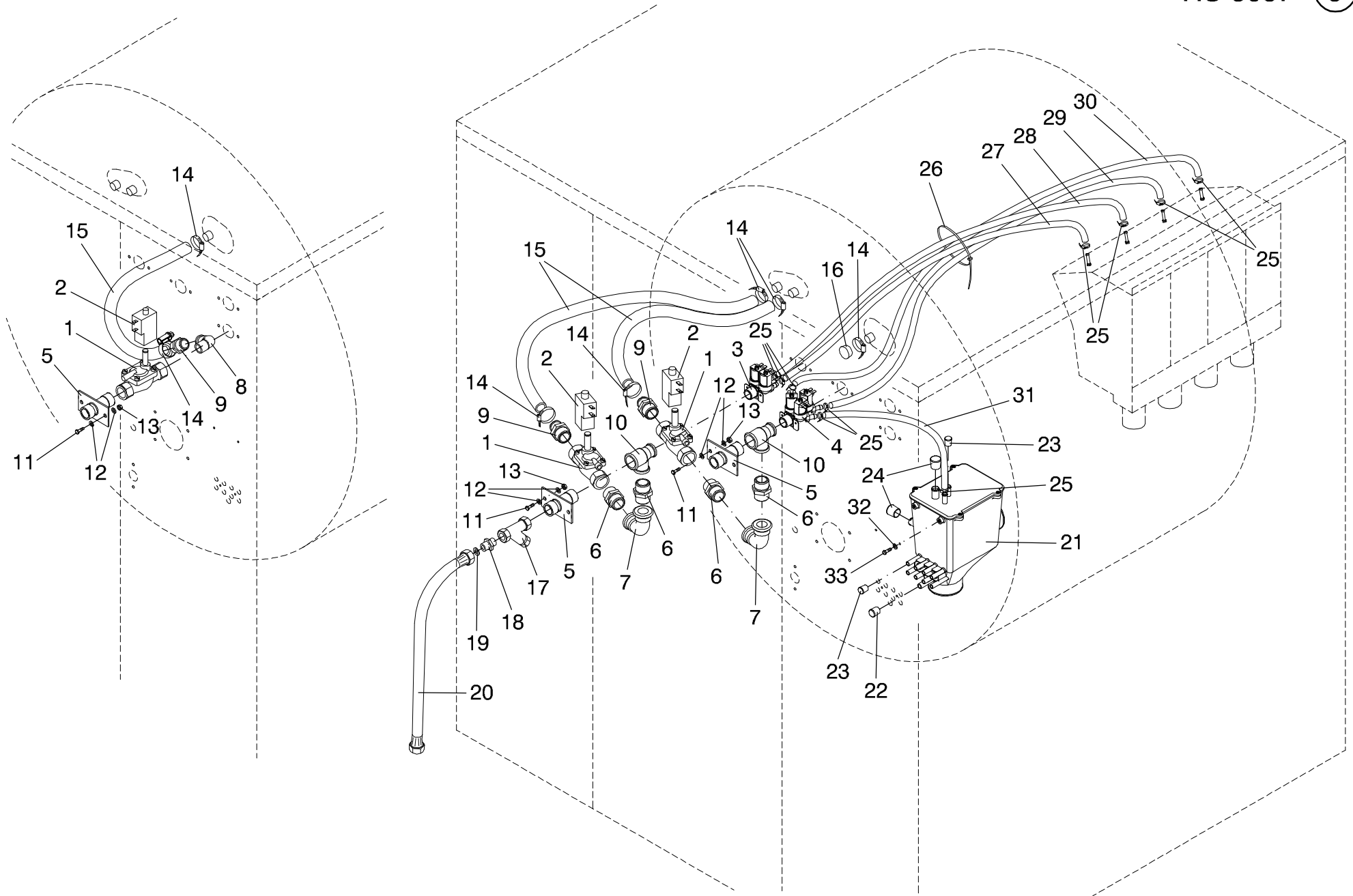
N°	REF	DENOMINATION	DENOMINACIÓN	DENOMINATION
		FROM MACHINE Nr: 2.162.089	A PARTIR DE LA MAQUINA No : 2.162.089	A PARTIR DE LA MACHINE NR: 2.162.089
25	10034718	CONTACTOR 3RT20 24-1AL2	CONTACTOR 3RT20 24-1AL200	CONTACTEUR 3RT20 24-1AL2
	321240	COIL 3RT1924-5AL21 230-50/60 (CANCELLED)	BOBINA 3RT1924-5AL21 230-50/60 (ANULADO)	BOBINE 3RT1924-5AL21 230-50/60 (ANNULE)



Nº	REF	DENOMINATION	DENOMINACIÓN	DENOMINATION
1	163253	DRAIN OUTLET HOSE	TUBO SALIDA DESAGÜE	TUBE SORTIE VIDANGE
2	132340	CLAMP REF.30173380-2 D80-100	ABRAZADERA REF.30173380-2 D80-100	BRIDE REF.30173380-2 D80-100
3	178152	UNION T	TE UNION	T UNION
4	146316	BICR.HEX SCREW DIN933-8 M-6X20	TOR.EX.DIN933-8.8 B.TRI.M 6X20	VIX HEX BICR.DIN933-8.8 M-6X20
5	115733	WASHER 16X7X3	ARANDELA 16X7X3 TRIVALEN.	RONDELLE 16X7X3
6	150227	BICR HEX NUT DIN934-8 M6	TUER.EX.DIN934-8 B.TRI.M 6	ECROU HEX DIN934-8 BICR.M6
7	277053	DRAIN JOINTING HOSE	TUBO UNION DESAGUE	TUBE UNION VIDANGE
8	600577	DRAIN G3-C-180	DESAGÜE G3-C-180	VIDANGE G3-C-180
	600551	DRAIN G3-O-180	DESAGÜE G3-O-180	VIDANGE G3-O-180
9	156109	CLAMP 16-27	ABRAZADERA 16- 27 *	BRIDE 16-27
10	234047	BEARING BOX DRAIN HOSE	TUBO DESAGUE CAJA COJINETES	TUBE VIDANGE BOITE ROULEMENTS
11	351981	RUBBER ELBOW D73X585X505	CODO GOMA D73X585X505	COUDE GOMME D73X585X505
12	121962	HEATER INLET LID	CIERRE ENTRADA CALEFACTOR *	FERMETURE ENTREE RESISTANCE
13	149609	CLAMP 25-40	ABRAZADERA 25- 40 *	BRIDE 25-40
14	135004	CONICAL END-PIECE REPRIMSA R16	TOPE CONICO REPRIMSA R-16 D30	ARRET CONIQUE REPRIMSA R16 D30
15	353383	DRAIN HOSE	TUBO DESAGÜE	TUBE VIDANGE
16	358192	CLAMP 130-150 *	ABRAZADERA 130-150 *	BRIDE 130-150 *
17	439265	VAPOUR OUTLET JOINTING	UNION SALIDA VAHOS	UNION SORTIE VAPEURS
18	192203	INOX PLATE SCREW DIN7971 4X1/2	TOR.CHAPA INOX.DIN7971 4X1/2"	VIS PLAQUE INOX DIN7971 4X1/2"
19	350157	DRAIN HOSE	TUBO DESAGÜE	TUBE VIDANGE
20	349613	DRAIN HOSE	TUBO DESAGÜE	TUBE VIDANGE
21	263954	STOPPER MEMBRANE	MEMBRANA OBTURADOR	OBTURATEUR MEMBRANE
22	263962	STOPPER (MEMBRANE INCLUDED)	OBTURADOR (INCLUYE MEMBRANA)	OBTURATEUR (COMPRIS MEMBRANE)
23	453001	DRAIN HOSE	TUBO DESAGÜE	TUBE VIDANGE
24	244806	SOLID SOAP DISPENSER	DOSIFICADOR DETERGENTE SOLIDO	BAC A PRODUIT DETERGENT SOLIDE
25	357855	SOAP DISPENSER COVER GASKET	JUNTA TAPA DOSIFICADORES	JOINT COUVERCLE BAC A PRODUITS
26	357848	SOAP DISPENSER COVER GASKET	JUNTA TAPA DOSIFICADORES	JOINT COUVERCLE BAC A PRODUITS
27	149906	INOX. HEX. NUT DIN 934 M-3	TUER.EX.DIN934 INOX A2-70 M 3	ECROU HEX. INOX DIN934 M-3

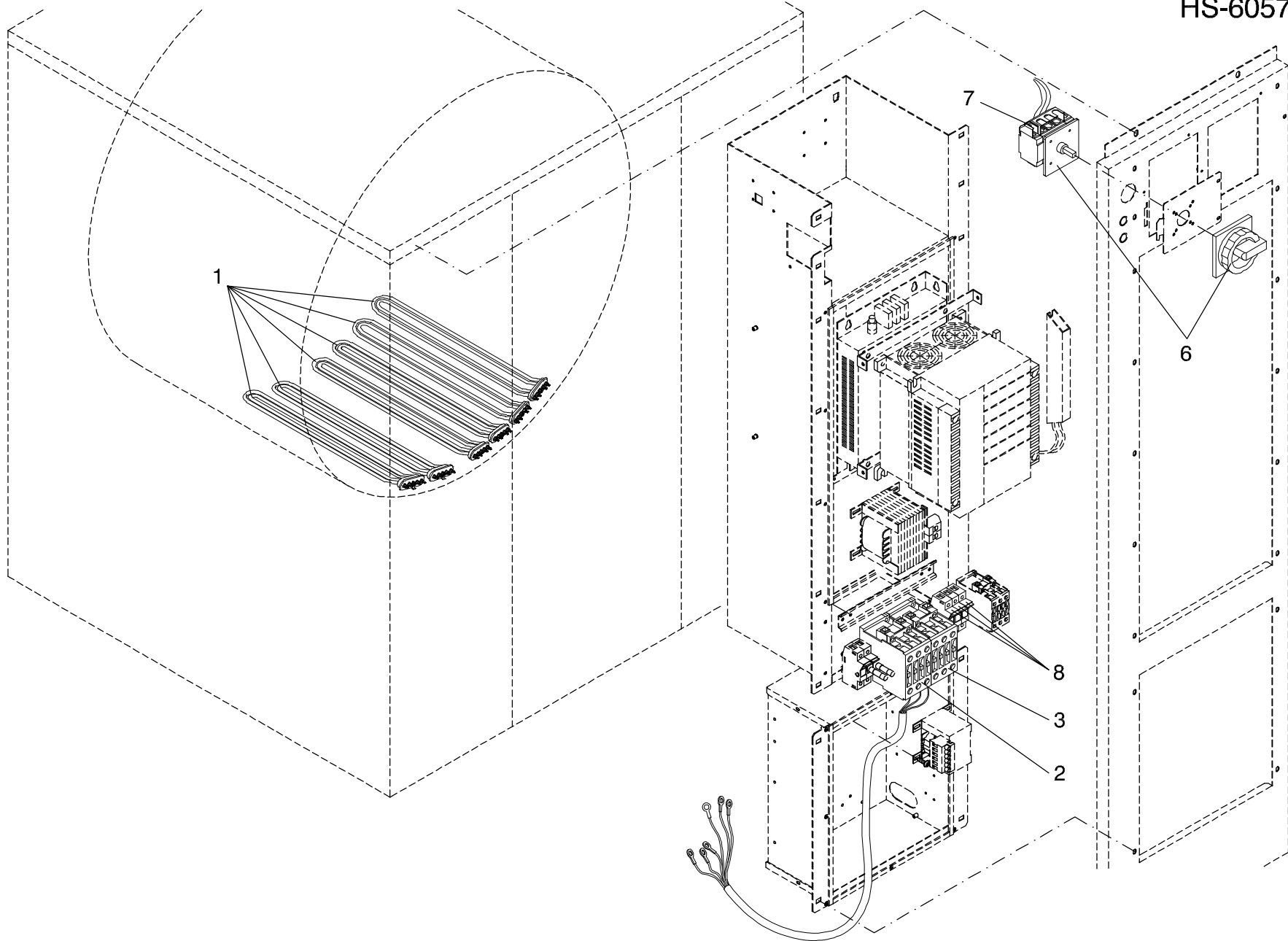
Nº	REF	DENOMINATION	DENOMINACIÓN	DENOMINATION
28	152132	INOX A2 WASHER DIN 125	ARAN. DIN125 INOX A2 3,2	RONDELLE INOX A2 DIN 125 3,2
29	244590	HINGE SUPPLEMENT	SUPLEMENTO BISAGRA	SUPPLEMENT CHARNIERE
30	176784	INOX SCREW DIN 963 M-3X10 A270	TOR.AV.DIN963 INOX A2-70 M3X10	VIS INOX DIN 963 M-3X10 A2-70
31	144758	INOX LENS HEAD S.DIN963 M 3X16	TOR.AV.DIN963 INOX A2-70 M3X16	VIS T/FRAI.INOX DIN963 M 3X16
32	176800	HINGE 72-7-3329 CHROMED	BISAGRA PINET 72-7-3329 CROM.	CHARNIERE 72-7-3329 CHROM
33	244566	DISPENSERS LID (INOX)	TAPA DOSIFICADORES (INOX)	COUVERCLE BAC A PRODUITS (INOX)
	446880	SOAP DISPENSER LID (PRE-COATED)	TAPA DOSIFICADORES (PRE-COATED)	COUVERCLE BAC A PRODUITS (PRE-COATED)
34	149922	INOX HEX. NUT DIN 934 M-4	TUER.EX.DIN934 INOX A2-70 M 4	ECROU HEX. INOX DIN 934 M-4
35	149328	INOX A2 WASHER DIN 125 4,3	ARAN. DIN125 INOX A2 4,3	RONDELLE INOX A2 DIN 125 4,3
36	145649	INOX FLAT SCREW DIN85 M 4X10	TOR.PLA.DIN85 INOX A2-70 M4X10	VIS PLAT INOX DIN85 M-4X10 A2
37	234930	CHLORINE INTAKE HOSE	TUBO ASPIRACION CLORO	TUBE ASPIRATION CHLORE
38	244855	LIQUID SOAP DISPENSER (HOSE INCLUDED)	DOSIFICADOR DETERGENTE LIQUIDO (INCLUYE TUBO)	BAC A PRODUIT DETERG.LIQUIDE (TUBE COMPRIS)
39	255547	SOAP DISPENSER PROFILE	PERFIL DOSIFICADOR	PROFILE BACS A PRODUITS
40	160838	WASHER 14X6X1,5	ARANDELA 14X6X1.5 INOX	RONDELLE 14X6X1,5
41	149351	WASHER DIN 125B M8 INOX A2	ARANDELA DIN 125B M8 INOX A2	RONDELLE DIN 125B M8 INOX A2
42	187393	LOCKING HANDLE	MANECILLA CIERRE	POIGNEE FERMETURE
43	144436	ALLEN SCREW DIN 912 8,8 M8x45 TRIVALENT	TORNILLO ALLEN DIN 912 8,8 M8x45 TRIVALE	VIS ALLEN DIN 912 8,8 M8x45 TRIVALENT
44	187401	LOCKING HANDLE SPRING	MUELLE MANECILLA CIERRE	RESSORT POIGNEE FERMETURE
45	257469	HANDLE HOSE	TUBO MANECILLA	TUBE POIGNEE
46	144782	INOX HEX SCREW DIN933 M 5X15	TOR.EX.DIN933INOX A2-70 M 5X15	VIS HEX INOX DIN933 M 5X15
47	145631	INOX FLAT SCREW DIN85 A2-70 M4X16	TOR.PLA.DIN85 INOX A2-70 M4X16	VIS PLAT INOX DIN85 A2-70 M4X16
48	256446	SOAP DISPENSER BRACKET PIECE	PIEZA SOPORTE DOSIFICADOR	PIECE SUPPORT BAC A PRODUITS
49	176792	SELF-LOCKING NUT DIN985 INOX M 4	TUER.AUTOBL.DIN985 INOX M 4*	ECROU AUTOBLOCANT DIN985 INOX M 4
50	256370	SOAP DISPENSER FIXING	FIJACION DOSIFICADOR	FIXATION BAC A PRODUITS
51	150250	BICR HEX.NUT DIN 934-8 M 14	TUER.EX.DIN934-8 B.TRI.M14	ECROU HEX.BICR DIN 934-8 M 14
52	149393	WASHER DIN 125B M14 ST TRIVALENT	ARANDELA DIN 125B M14 ST TRIVALENTE	RONDELLE DIN 125B M14 ST TRIVALENT
53	242883	DISPENSER HOSE COUPLING	RACOR TUBO DOSIFICADOR	RACCORD TUBE BAC A PRODUITS

Nº	REF	DENOMINATION	DENOMINACIÓN	DENOMINATION
54	164285	SELF-LOCKING NUT DIN985-8 B.TRI.M8	TUER.AUTOBL.DIN985-8 B.TRI.M8	ECROU AUTOBLOCANT DIN985-8 B.TRI.M8
55	244467	DISPENSER HOSE	TUBO DOSIFICADOR	TUBE BAC A PRODUITS
56	271916	SOAP DISPENSER ROD PROTECTION	FUNDA VARILLA DOSIFICADOR	FOURREAU BAGUET.BAC A PRODUITS
57	256545	SOAP DISPENSER BAR	VARILLA DOSIFICADOR	BAGUETTE BAC A PRODUITS
58	176826	SELF-LOCKING NUT DIN985-8 B.TRI.M5	TUER.AUTOBL.DIN985-8 B.TRI.M5	ECROU AUTOBLOCANT DIN 985-8 B.TRI.M5
59	256404	DISPENSER BOX SET (PIN AND PROFILES INCLUDES)	CONJUNTO DOSIFICADORES (INCLUYE VARILLA Y PERFILES)	ENSEMBLE BOITE BAC A PRODUITS BAGUETTE ET PROFILES COMPRIS
60	194217	OBTURATOR HOSE	TUBO OBTURADOR	TUBE OBTURATEUR
61	451609	DRAIN BRACKET	SOPORTE DESAGÜE	SUPPORT VIDANGE
62	321000	PRESSOSTAT BODY JOINTING	UNION CUERPO PRESOSTATO	UNION CORPS PRESSOSTAT
63	144964	HEX SCREW DIN 933 A2-70 M8x16	TORNILLO HEXAGONAL DIN 933 A2-70 M8x16	VIS HEXAGONALE DIN 933 A2-70 M8x16
64	300442	EXHAUST ELBOW	CODO SALIDA VAHOS	COUDE SORTIE VAPEURS
65	199984	SOAP DISPENSER COUNTERLID	CONTRATAPA DOSIFICADORES	CONTRECOUVERCLE BAC A PRODUITS
66	140509	BLACK POLYAMIDE CLAMP 7.5X360MM	BRIDA POLIAMIDA NEGRA 7.5X360MM	BRIDE POLYAMIDE NOIR 7.5X360MM
67	320382	PRESSURE TRANSMITT INTAKE BODY	CUERPO TOMA PRESOSTATO	CORPS PRISE PRESSOSTAT
68	149526	BICR.WASHER B DIN125-ST 6,4	ARAN.B DIN125-ST B.TRI. 6,4	BICR.WASHER B DIN125-ST 6,4



Nº	REF	DENOMINATION	DENOMINACIÓN	DENOMINATION
1	352989	VALV EV220A 22B G 1E NC000	VALV EV220A 22B G 1E NC000	VALV EV220A 22B G 1E NC000
	503417	SPARE PARTS KIT EV220A 042U1006	KIT REPUES. EV220A 042U1006	KIT RECHANGES EV220A 042U1006
2	333716	COIL AB 5W 12V CC 042N0806	BOBINA AB 5W 12V CC 042N0806	BOBINE AB 5W 12V CC 042N0806
3	427112	DOUBLE ELECTROV. 349 180° 12VCC*	ELECTROV.DOUBLE 349 180° 12VCC*	ELECTROV.DOUBLE 349 180° 12VCC*
	332296	COIL 255043000000 12VCC	BOBINA 255043000000 12VCC	BOBINE 255043000000 12VCC
	300202	INTEGRAL GUIDE-MEMBRANE 30696	MEMBRANA-GUIA INTEGRAL 30696 *	MEMBRANE-GUIDE INTEGRALE 30696
	300194	YELLOW CASE 30053	ESTUCHE AMARILLO 30053	BOITE JAUNE 30053
4	447045	THREE TRACK ELECTROVALVE	ELECTROVALVULA TRES VIAS	ELECTROVANNE TROIS VOIES
	332296	COIL 255043000000 12VCC	BOBINA 255043000000 12VCC	BOBINE 255043000000 12VCC
	300202	INTEGRAL GUIDE-MEMBRANE 30696	MEMBRANA-GUIA INTEGRAL 30696 *	MEMBRANE-GUIDE INTEGRALE 30696
	300194	YELLOW CASE 30053	ESTUCHE AMARILLO 30053	BOITE JAUNE 30053
	156257	REGULATOR 8 L/MIN (RED)	REGULADOR DE 8 L/MIN. (ROJO)	REGULATEUR 8 L/MIN (ROUGE)
5	214502	ELECTROVALVE BRACKET	SOPORTE ELECTROVALVULA	SUPPORT ELECTROVANNE
6	129791	NIPPLE FIG 280 1" GALVANIZED	MACHÓN FIG 280 1" GALVANIZADO	MAMELON FIG 280 1" GALVANISE
7	129361	FIG 2 1" GALV	FIGURA 2 DE 1" GALV.	FIG 2 1" GALV
8	129510	FIG.92 1" GALV.	FIGURA 92 DE 1" GALV.	FIG.92 1" GALV.
9	166793	WATER INLET NUT	TUERCA ENTRADA AGUA	ECROU ENTREE EAU
10	128769	T FIG 130 1"-1"-3/4" GALV	FIGURA 130RED.DE 1-1-3/4"GALV.	T FIG 130 1"-1"-3/4" GALV
11	146233	BICR.HEX SCREW DIN933-8 M6X15	TOR.EX.DIN933-8.8 B.TRI.M 6X15	VIS HEX DIN933-8.8 BICR.M6X15
12	149526	BICR.WASHER B DIN125-ST 6,4	ARAN.B DIN125-ST B.TRI. 6,4	BICR.WASHER B DIN125-ST 6,4
13	150227	BICR HEX NUT DIN934-8 M6	TUER.EX.DIN934-8 B.TRI.M 6	ECROU HEX DIN934-8 BICR.M6
14	149609	CLAMP 25-40	ABRAZADERA 25- 40 *	BRIDE 25-40
15	244921	WATER INLET HOSE	TUBO ENTRADA AGUA	TUBE ENTREE EAU
	177931	PRESCORD HOSE 6ATM.D25 (1 METER)	TUBO PRESCORD 6ATM.D25 (1 METRO)	TUBE PRESCORD 6ATM.D25 (1 METRE)
16	149617	CONICAL END PIECE R-16 D25	TOPE CONICO REPRIMSA R-16 D25	ARRET CONIQUE R-16 D25
17	133744	THREADED BRASS FILTER 1"	FILTRO LATON FLT ROSC. 1" 0,5	FILTRE FILETE LAITON 1"
18	216382	WATER INLET SLEEVE	MANGUITO ENTRADA AGUA	MANCHON ENTREE EAU

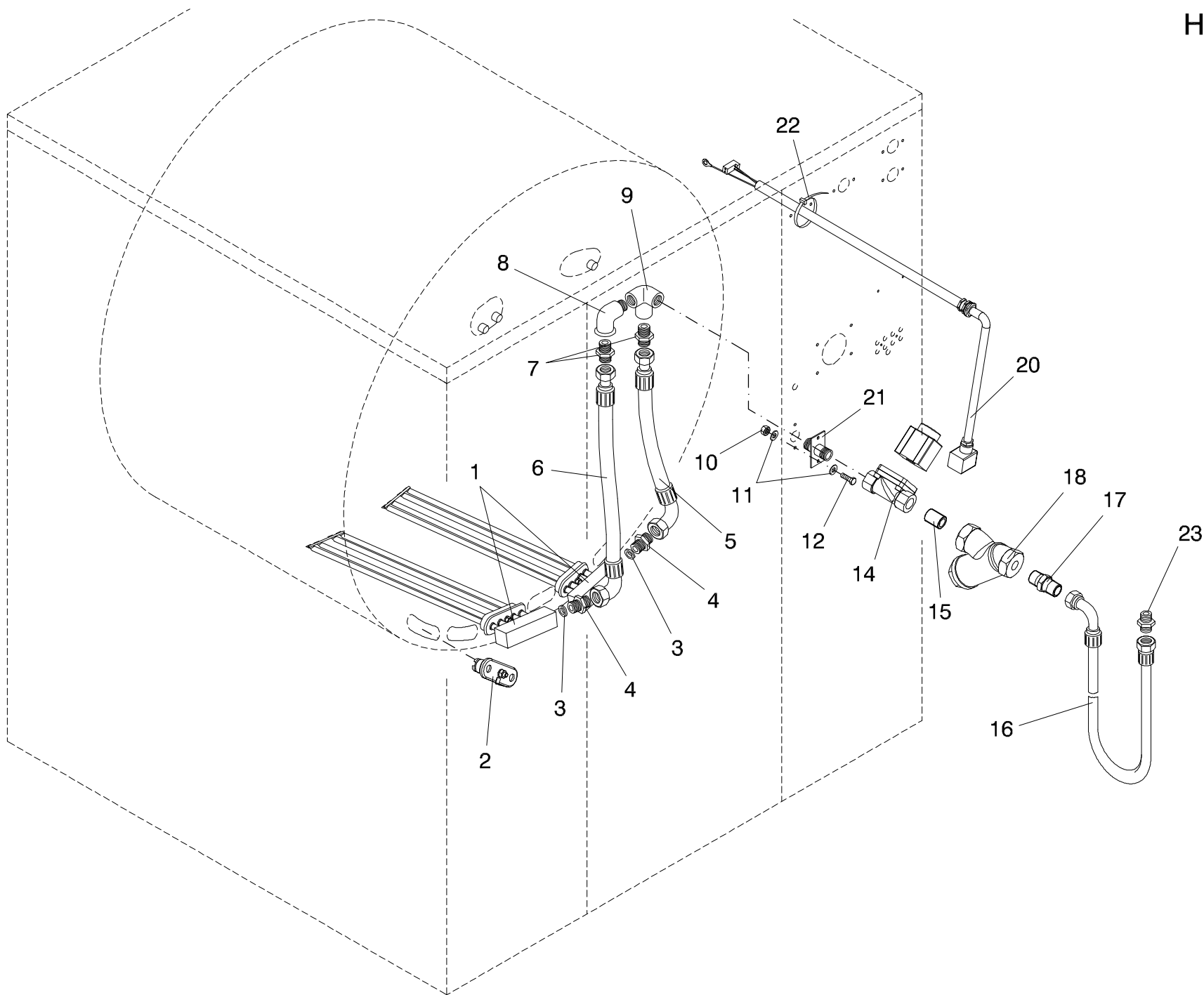
N°	REF	DENOMINATION	DENOMINACIÓN	DENOMINATION
	249516	WATER INLET SLEEVE (FOR USA AND CANADA ONLY)	MANGUITO ENTRADA AGUA-VAPOR (SOLO PARA USA Y CANADA)	MANCHON ENTREE EAU (SEULEMENT POUR USA ET CANADA)
19	216408	GASKET (EXCEPT FOR USA AND CANADA)	JUNTA D31XD20X2 (EXCEPTO PARA USA Y CANADA)	JOINT (SAUF POUR USA ET CANADA)
20	164194	WATER INLET HOSE RACCORDS 1" (EXCEPT FOR USA AND CANADA)	TUBO EPDM 1"X1500 C.RACORES* (EXCEPTO PARA USA Y CANADA)	TUBE ENTREE EAU RACCORDS 1" (SAUF POUR USA ET CANADA)
21	350371	DISTRIBUTOR	DISTRIBUIDOR	DISTRIBUTEUR
22	357624	CONICAL END-PECE R-16 D12	TOPE CONICO REPRIMSA R-16 D12	BOUCHON CONIQUE R-16 D12
23	156679	CONICAL END-PIECE R-16 D10	TOPE CONICO REPRIMSA R-16 D10	BOUCHON CONIQUE R-16 D10
24	156687	CONICAL END-PIECE R-16 D16	TOPE CONICO REPRIMSA R-16 D16	ARRET CONIQUE R-16 D16
25	155150	HOSE CLIP ASFA-L W2 8-16	ABRAZADERA ASFA-L W2 8-16	COLLIER ASFA-L W2 8-16
26	140509	BLACK POLYAMIDE CLAMP 7.5X360MM	BRIDA POLIAMIDA NEGRA 7.5X360MM	BRIDE POLYAMIDE NOIR 7.5X360MM
27	411132	WATER INLET HOSE	TUBO ENTRADA AGUA	TUBE ENTREE EAU
	323469	1 METER HOSE PARIGI D10XD16 (1 METER)	1 METRO TUBO PARIGI D10XD16 (1 METRO)	1 METRE TUBE PARIGI D10XD16 (1 METRE)
28	453712	WATER INLET HOSE	TUBO ENTRADA AGUA	TUBE ENTREE EAU
	323469	1 METER HOSE PARIGI D10XD16 (1 METER)	1 METRO TUBO PARIGI D10XD16 (1 METRO)	1 METRE TUBE PARIGI D10XD16 (1 METRE)
29	453704	WATER INLET HOSE	TUBO ENTRADA AGUA	TUBE ENTREE EAU
	323469	1 METER HOSE PARIGI D10XD16 (1 METER)	1 METRO TUBO PARIGI D10XD16 (1 METRO)	1 METRE TUBE PARIGI D10XD16 (1 METRE)
30	455287	WATER INLET HOSE	TUBO ENTRADA AGUA	TUBE ENTREE EAU
	323469	1 METER HOSE PARIGI D10XD16 (1 METER)	1 METRO TUBO PARIGI D10XD16 (1 METRO)	1 METRE TUBE PARIGI D10XD16 (1 METRE)
31	411363	WATER INLET HOSE	TUBO ENTRADA AGUA	TUBE ENTREE EAU
	323469	1 METER HOSE PARIGI D10XD16 (1 METER)	1 METRO TUBO PARIGI D10XD16 (1 METRO)	1 METRE TUBE PARIGI D10XD16 (1 METRE)
32	149534	BICR.WASHER B DIN125-ST 5,3	ARAN.B DIN125-ST BICR. 5,3	RONDELLE B BICR.DIN125-ST 5,3
33	146274	BICR.HEX SCREW DIN933-8 M-5X10	TOR.EX.DIN933-8.8 B.TRI.M 5X10	VIS HEX.BICR.DIN933-8.8 M-5X10
		THIRD WATER INLET KITS	KITS TERCERA ENTRADA AGUA	KITS TROISIEME ENTREE EAU
	793612	THIRD WATER INLET KIT	KIT TERCERA ENTRADA AGUA HS-6057	KIT TROISIEME ENTREE EAU



N°	REF	DENOMINATION	DENOMINACIÓN	DENOMINATION
		ELECTRIC HEATING KITS	KITS CALEFACCION ELECTRICA	KITS CHAUFFAGE ELECTRIQUE
	793711	KIT E.H. 200-208-220-230V HS-6057	KIT CAL.ELEC.200-208-220-230V HS-6057	KIT CH.E. 200-208-220-230V HS-6057
	793729	KIT E.H. 240(208+240)V HS-6057	KIT CAL.ELEC.240(208+240)V HS-6057	KIT CH.E. 240(208+240)V HS-6057
	793737	KIT E.H. 380-400V HS-6057	KIT CAL.ELEC.380-400V HS-6057	KIT CH.E. 380-400V HS-6057
	793745	KIT E.H. 415V HS-6057	KIT CAL.ELEC.415V HS-6057	KIT CH.E. 415V HS-6057
1	321232	HEATER 230V 5500W (FOR 200V-208V-220V-230V-380V-400V)	CALEFACTOR 230V 5500W (PARA 200V-208V-220V-230V-380V-400V)	RESISTANCE 230V 5500W (POUR 200V-208V-220V-230V-380V-400V)
	321224	HEATER 240V 5500W (FOR (208+240)V-240V-415V)	CALEFACTOR 240V 5500W (PARA (208+240)V-240V-415V)	RESISTANCE 240V 5500W (POUR (208+240)V-240V-415V)
2	446831	HEATING CONTACTOR WIRES (CONTACTOR INCLUDED) (FOR 380V-400V-415V)	CABLES CONTACTOR CALEFACCION (INCLUYE CONTACTOR) (PARA 380V-400V-415V)	CABLES CONTACTEUR CHAUFFAGE (COMPRIS CONTACTEUR) (POUR 380V-400V-415V)
	321562	CONTACTOR 3RT10 35-1LA2	CONTACTOR 3RT10 35-1AL200	CONTACTEUR 3RT10 35-1AL2
	321240	COIL 3RT1924-5AL21 230-50/60	BOBINA 3RT1924-5AL21 230-50/60	BOBINE 3RT1924-5AL21 230-50/60
3	446823	HEATING CONTACTOR WIRES (CONTACTOR INCLUDED) (FOR 200V-208V-220V-230V-240V)	CABLES CONTACTOR CALEFACCION (INCLUYE CONTACTOR) (PARA 200V-208V-220V-230V-240V)	CABLES CONTACTEUR CHAUFFAGE (COMPRIS CONTACTEUR) (POUR 200V-208V-220V-230V-240V)
	321562	CONTACTOR 3RT10 35-1LA2	CONTACTOR 3RT10 35-1AL200	CONTACTEUR 3RT10 35-1AL2
	321240	COIL 3RT1924-5AL21 230-50/60	BOBINA 3RT1924-5AL21 230-50/60	BOBINE 3RT1924-5AL21 230-50/60
6	321307	PAQUET.SWITCH 3LD2 704-0TK53 (FOR 200V-208V-220V-230V-240V) (FOR (208+240)V)	INTERRUP.PAQUET.3LD2 704-0TK53 (PARA 200V-208V-220V-230V-240V) (PARA (208+240)V)	INTERRUP-PAQUET 3LD2 704-0TK53 (POUR 200V-208V-220V-230V-240V) (POUR (208+240)V)
	344135	IPAQUET SWITCH.3LD2 504-0TK53 (FOR 380V-400V-415V)	INTERRUP.PAQUET.3LD2 504-0TK53 (PARA 380V-400V-415V)	INTERRUP.PAQUET.3LD2 504-0TK53 (POUR 380V-400V-415V)
7	321315	TERMINAL PE 3LD9280-28 (FOR 200V-208V-220V-230V-240V) (FOR (208+240)V)	BORNE PE 3LD9280-2B (PARA 200V-208V-220V-230V-240V) (PARA (208+240)V)	BORNE PE 3LD9280-2B (POUR 200V-208V-220V-230V-240V) (POUR (208+240)V)
	344150	TERMINAL PE 3LD9250-2BA (FOR 380V-400V-415V)	BORNE PE 3LD9250-2BA (PARA 380V-400V-415V)	BORNE PE 3LD9250-2BA (POUR 380V-400V-415V)

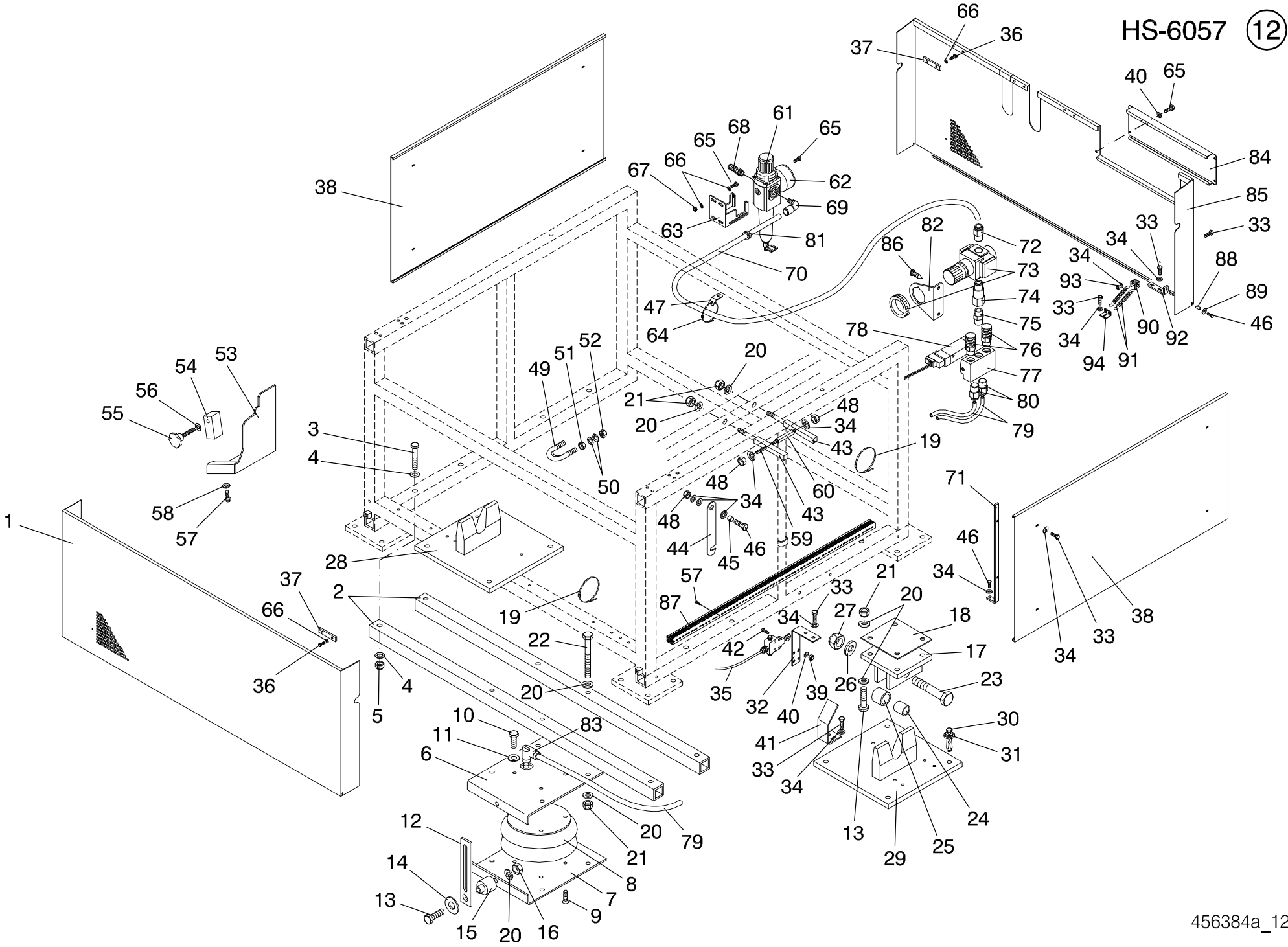
N°	REF	DENOMINATION	DENOMINACIÓN	DENOMINATION
		FROM MACHINE Nr: 2.160.684 1.510.043	A PARTIR DE LA MAQUINA No : 2.160.684 1.510.043	A PARTIR DE LA MACHINE NR: 2.160.684 1.510.043
4	507996	FUSE 10X38 UL-ATQ 30 A * (CANCELLED)	FUSIBLE 10X38 UL-ATQ 30 A * (ANULADO)	FUSIBLE 10X38 UL-ATQ 30 A * (ANNULE)
	307173	FUSE GG 10X38 16A (CANCELLED)	FUSIBLE GG 10X38 16A G200750 (ANULADO)	FUSIBLE GG 10X38 16A (ANNULE)
5	306431	FUSE HOLDER 32A 10X38 (CANCELLED)	PORTAFUSIBLES 32A 10X38 1P* (ANULADO)	PORTE-FUSIBLE 32A 10X38 (ANNULE)
8	564898	AUTOMATIC SWITCH 32A (FOR 200V-208V-220V-230V-240V) (FOR (208+240)V)	INTERRUPTOR AUT. 32A CURVA D* (PARA 200V-208V-220V-230V-240V) (PARA (208+240)V)	INTERRUPTEUR AUT. 32A (POUR 200V-208V-220V-230V-240V) (POUR (208+240)V)
	564872	AUTOMATIC SWITCH 16A CURVE D (FOR 380V-400V-415V)	INTERRUPTOR AUT. 16A CURVA D* (PARA 380V-400V-415V)	INTERRUPTEUR AUTOMATIQUE 16A COURBE D (POUR 380V-400V-415V)

N°	REF	DENOMINATION	DENOMINACIÓN	DENOMINATION
		FROM MACHINE Nr: 2.162.089	A PARTIR DE LA MAQUINA No : 2.162.089	A PARTIR DE LA MACHINE NR: 2.162.089
2	10699874	CONTACTOR 3RT20 35-1AL2	CONTACTOR 3RT20 35-1AL200	CONTACTEUR 3RT20 35-1AL2
	321240	COIL 3RT1924-5AL21 230-50/60 (CANCELLED)	BOBINA 3RT1924-5AL21 230-50/60 (ANULADO)	BOBINE 3RT1924-5AL21 230-50/60 (ANNULE)
3	10699874	CONTACTOR 3RT20 35-1AL2	CONTACTOR 3RT20 35-1AL200	CONTACTEUR 3RT20 35-1AL2
	321240	COIL 3RT1924-5AL21 230-50/60 (CANCELLED)	BOBINA 3RT1924-5AL21 230-50/60 (ANULADO)	BOBINE 3RT1924-5AL21 230-50/60 (ANNULE)



N°	REF	DENOMINATION	DENOMINACIÓN	DENOMINATION
		STEAM HEATING KITS	KITS CALEFACCION VAPOR	KITS CHAUFFAGE VAPEUR
	793810	STEAM KIT 50Hz HS-6057	KIT CAL.VAPOR 50Hz HS-6057	KIT CHAUF.VAP. 50Hz HS-6057
	793828	STEAM KIT 60Hz HS-6057	KIT CAL.VAPOR 60Hz HS-6057	KIT CHAUF.VAP. 60Hz HS-6057
	793851	STEAM KIT 50Hz HS-6057 TILT	KIT CAL.VAPOR 50Hz HS-6057 TILT	KIT CHAUF.VAP. 50Hz HS-6057 TILT
	793869	STEAM KIT 60Hz HS-6057 TILT	KIT CAL.VAPOR 60Hz HS-6057 TILT	KIT CHAUF.VAP. 60Hz HS-6057 TILT
1	214916	STEAM DISTRIBUTOR	DISTRIBUIDOR VAPOR	DISTRIBUTEUR VAPEUR
2	121962	HEATER INLET LID	CIERRE ENTRADA CALEFACTOR *	FERMETURE ENTREE RESISTANCE
3	109777	COPPER GASKET 1/2"	12504 JUNTA COBRE 1/2"	JOINT CUIVRE 1/2"
4	217745	STEAM INLET RACCORD	RACOR ENTRADA VAPOR	RACCORD ENTREE VAPEUR
5	175018	STEAM INLET JOINTING	UNION ENTRADA VAPOR	FLEXIBLE ENTREE VAPEUR
6	504563	STEAM INLET JOINTING	UNION ENTRADA VAPOR	UNION ENTREE VAPEUR
7	176479	COUPLING SCREW 3/4"	10904 TORNILLO UNION MM3/4"	VIS UNION 3/4"
8	129502	ELBOW FIG. 92 3/4" GALV.	FIGURA 92 DE 3/4" GALV.	COUDE FIG. 92 3/4" GALV.
9	176461	FIG. 221 3/4" GALV.	FIGURA 221 DE 3/4" GALV.	FIG. 221 3/4" GALV.
10	150227	BICR HEX NUT DIN934-8 M6	TUER.EX.DIN934-8 B.TRI.M 6	ECROU HEX DIN934-8 BICR.M6
11	149526	BICR.WASHER B DIN125-ST 6,4	ARAN.B DIN125-ST B.TRI. 6,4	BICR.WASHER B DIN125-ST 6,4
12	146233	BICR.HEX SCREW DIN933-8 M6X15	TOR.EX.DIN933-8.8 B.TRI.M 6X15	VIS HEX DIN933-8.8 BICR.M6X15
14	583377	STEAM VALVE BODY 3/4"	CUERPO VALV.VAPOR 3/4" *	CORPS VANNE VAPEUR 3/4"
	583385	STEAM VALVE COIL 208-240V 50/60Hz (FOR 60 HZ)	BOBINA V.VAPOR 208-240V 50/60Hz * (PARA 60 HZ)	BOBINE V. VAPEUR 208-240V 50/60Hz (POUR 60 HZ)
15	130005	INNER SLEEVE FIG.531 3/4" GALV (FOR 50 HZ)	FIGURA 531 DE 3/4" GALV. (PARA 50 HZ)	MANCHON INTERIEUR FIG.531 3/4" (POUR 50 HZ)
16	306142	STEAM INLET JOINTING (WITH TILTING)	UNION ENTRADA VAPOR (CON VOLQUETE)	UNION ENTREE VAPEUR (AVEC SOCLE BASCULANT)
17	176479	COUPLING SCREW 3/4" (WITH TILTING)	10904 TORNILLO UNION MM3/4" (CON VOLQUETE)	VIS UNION 3/4" (AVEC SOCLE BASCULANT)
	249508	STEAM INLET SLEEVE (FOR USA AND CANADA ONLY)	MANGUITO ENTRADA VAPOR (SOLO PARA USA Y CANADA)	MANCHON ENTREE VAPEUR (SEULEMENT POUR USA ET CANADA)
18	133736	STRAINER THREADED 3/4" 0,3 PN16	FILTRO GG25 ROSC.3/4" PN16 0'3MM INOX	FILTRE FILETE 3/4" 0,3 PN16
20	446658	STEAM ELEC.INST.	INST. ELEC. VAPOR	INST. ELEC. VAPEUR

N°	REF	DENOMINATION	DENOMINACIÓN	DENOMINATION
21	244632	STEAM INLET	ENTRADA VAPOR	ENTREE VAPEUR
22	140434	CLAMP 2221	BRIDA UNEX 2221 *	BRIDE 2221
23	176479	COUPLING SCREW 3/4" (WITH TILTING)	10904 TORNILLO UNION MM3/4" (CON VOLQUETE)	VIS UNION 3/4" (AVEC SOCLE BASCULANT)
	291336	STEAM INLET JOINING SCREW (WITH TILTING) (FOR USA AND CANADA ONLY)	TORNILLO UNION ENTRADA VAPOR (CON VOLQUETE) (SOLO PARA USA Y CANADA)	VIS UNION ENTREE VAPEUR (AVEC SOCLE BASCULANT) (SEULEMENT POUR USA ET CANADA)

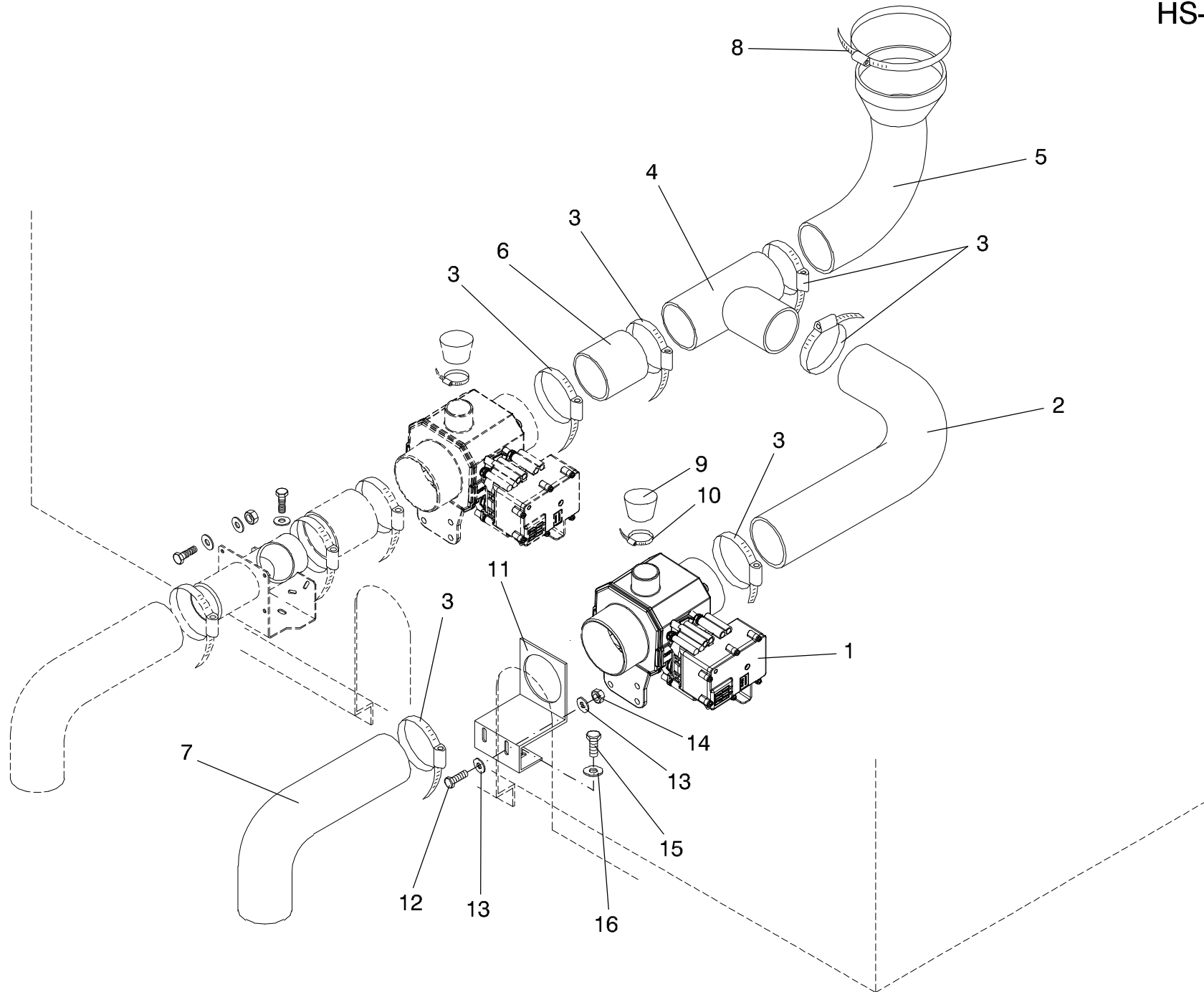


Nº	REF	DENOMINATION	DENOMINACIÓN	DENOMINATION
1	445742	FRONT PROTECTION COVER	TAPA PROTECCION ANTERIOR	COUVERCLE PROTECTION AVANT
2	287631	ACTUATOR BEAM	VIGA ACTUADOR	POUTRE AGISSEMENT
3	305433	BICR.HEX.SCREW DIN931-8 M12X90	TOR.EX.DIN931-8.8B.TRI.M12X 90	VIS.HEX.DIN931-8.8 BICR.M12X90
4	149419	BICR.WASHER B DIN125-ST 13	ARAN.B DIN125-ST B.TRI.13	RONDELLE B DIN125-ST BICR.13
5	150656	SELF-LOCKING NUT DIN985-8 B.TRI.M12	TUER.AUTOB.DIN985-8 B.TRI.M12	ECROU AUTOBLOCANT DIN985-8 B.TRI.M12
6	293019	ACTUATOR BRACKET	MENSULA ACTUADOR	SUPPORT ACTUATEUR
7	293027	ACTUATOR BRACKET	MENSULA ACTUADOR	SUPPORT ACTUATEUR
8	305425	PNEUMATIC DRIVE ORIA M-90	ACCIONADOR NEUMATICO ORIA M-90*	ACTIONNEMENT PNEUMATIQUE ORIA M-90
9	175653	COUNTERSUNK SCREW DIN 7991 10,9 M8x25	TORNILLO AVELLANADO DIN 7991 10,9 M8x25	VIS FRAISEE DIN 7991 10,9 M8x25
10	192849	BIC.HEX SCREW DIN933-8 M-8X25	TOR.EX.DIN933-8.8 B.TRI.M 8X25	VIS HEX.DIN933-8,8 BICR.M-8X25
11	149518	BICR.WASHER B DIN125-ST 8,4	ARAN.B DIN125-ST B.TRI. 8,4	RONDELLE.B DIN125-ST BICR.8,4
12	293050	ACTUATOR COURSE LIMITATOR	LIMITADOR CARRERA ACTUADOR	LIMITATUER COURSE ACTUATEUR
13	176172	HEX SCREW DIN 933 8,8 M14x55 TRIVALENT	TORNILLO HEXAGONAL DIN 933 8,8 M14x55 TR	VIS HEXAGONALE DIN 933 8,8 M14x55 TRIVAL
14	219071	WASHER 40X15X5	ARANDELA 40X15X5 TRIVALEN.	RONDELLE 40X15X5
15	293126	END PIECE COURSE LIMITATOR	TOPE LIMITADOR CARRERA	ARRET LIMITATEUR COURSE
16	150342	BICR.HEX.NUT REB.DIN934-8 M 14	TUER.EX.RB.DIN936-8 B.TRI.M14	ECROU HEX.REB DIN936-8 BIC.M14
17	257865	TILTING HINGE	CHARNELA BASCULANTE	CHARNIERE BASCULANT
18	259614	HOLDING-DOWN SUPPLEMENT	SUPLEMENTO ANCLAJE	SUPPLEMENT SCELLEMENT
19	140509	BLACK POLYAMIDE CLAMP 7.5X360MM	BRIDA POLIAMIDA NEGRA 7.5X360MM	BRIDE POLYAMIDE NOIR 7.5X360MM
20	149393	WASHER DIN 125B M14 ST TRIVALENT	ARANDELA DIN 125B M14 ST TRIVALENTE	RONDELLE DIN 125B M14 ST TRIVALENT
21	164350	SELF-LOCKING NUT DIN 985 8 M14 TRIVALENT	TUERCA AUTOBLOCANTE DIN 985 8 M14 TRIVAL	ECROU AUTOFREINE DIN 985 8 M14 TRIVALENT
22	147033	BIC.HEX SCREW DIN931-8 M14X130	TOR.EX.DIN931-88 B.TRI.M14X130	VIS HEX BICR DIN931-8 M14X130
23	146993	BIC.HEX SCREW DIN931-8 M20X100	TOR.EX.DIN931-88 B.TRI.M20X100	VIS HEX DIN931-8 BICR.M20X100
24	257873	ARTICULATION SLEEVE	CASQUILLO ARTICULACION	FRETTE ARTICULATION
25	187245	SELFOIL SLEEVE B11A40-50-40	COJ. SELFOIL B11A40-50-40	FRETTE SELFOIL B11A40-50-40
26	149427	BICR WASHER B DIN125-ST 21	ARAN.B DIN125-ST B.TRI.21	RONDELLE B BICR.DIN125-ST 21
27	186866	SELF-LOCKING NUT DIN985-8B.TRI.M20	TUER.AUTOBL.DIN985-8B.TRI.M20	ECROU AUTOBLOCANT DIN985-8B.TRI.M20
28	283184	HOLDING-DOWN PIECE	HORQUILLA ANCLAJE	PIECE SCELLEMENT

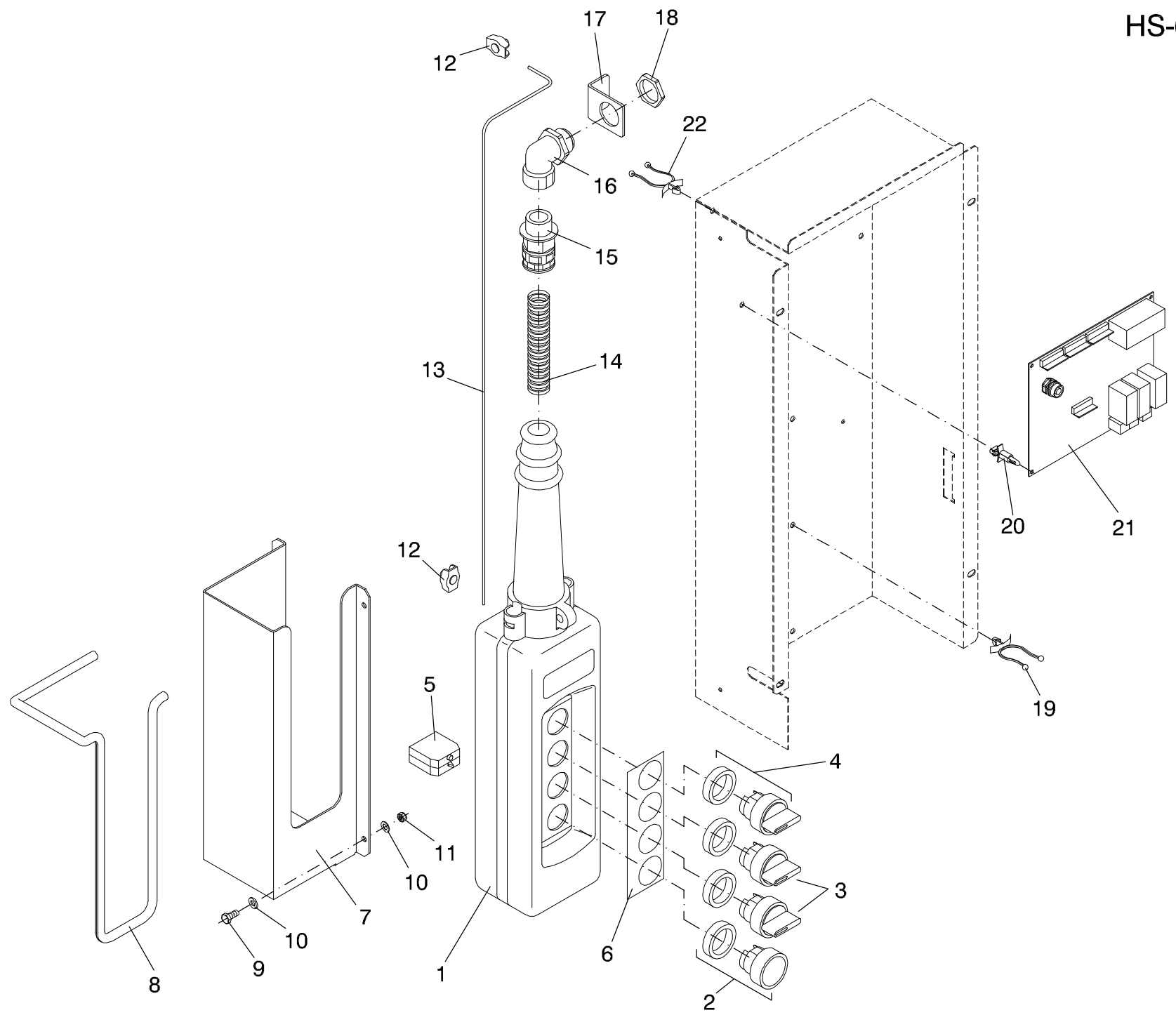
Nº	REF	DENOMINATION	DENOMINACIÓN	DENOMINATION
29	283242	HOLDING-DOWN PIECE	HORQUILLA ANCLAJE	PIECE SCELLEMENT
30	189746	METALLIC END PIECE REIDO T-16 C	TACO METALICO REIDO T-16 C	ARRET METALLIQUE REIDO T-16 C
31	110726	WASHER	ARANDELA 34X13X4 TRIVALEN.	RONDELLE
32	283044	LIMIT SWITCH BRACKET	SOPORTE FINAL DE CARRERA	SUPPORT FIN DE COURSE
33	146233	BICR.HEX SCREW DIN933-8 M6X15	TOR.EX.DIN933-8.8 B.TRI.M 6X15	VIS HEX DIN933-8.8 BICR.M6X15
34	149526	BICR.WASHER B DIN125-ST 6,4	ARAN.B DIN125-ST B.TRI. 6,4	BICR.WASHER B DIN125-ST 6,4
35	456640	ELEC.INST. TILT	INST. ELEC. TILT	INST. ELEC. TILT
	327304	LIMIT SWITCH M4VH 355-20ZM20	FINAL CARRERA M4VH 355-20ZM20*	FIN DE COURSE M4VH 355-20ZM20
	456673	DISTRIBUTOR REF.TSD-171717G	DISTRIBUIDOR REF.TSD-171717G	DISTRIBUTEUR REF.TSD-171717G
	456665	RACCORD M20 REF.MIR-17M20G	RACOR M20 REF.MIR-17M20G	RACCORD M20 REF.MIR-17M20G
	330324	NYLOFIX HOSE DIN17 REF.AGT-17G (1 METER)	TUBO NYLOFIX DN17 REF.AGT-17G (1 METRO)	TUBE NYLOFIX DIN17 REF.AGT-17G (1 METRE)
36	146241	BICR.HEX SCREW DIN933-8.8 M4X6	TOR.EX.DIN933-4.8 B.TRI.M 4X 6	VIS HEX DIN933-8.8 BICR M 4X 6
37	289397	COVERS SEPARATOR	SEPARADOR TAPAS	SEPARATEUR COUVERCLES
38	287623	SIDE PROTECTION COVER	TAPA PROTECCION LATERAL	COUVERCLE PROTECTION LATERAL
39	176826	SELF-LOCKING NUT DIN985-8 B.TRI.M5	TUER.AUTOBL.DIN985-8 B.TRI.M5	ECROU AUTOBLOCANT DIN 985-8 B.TRI.M5
40	149534	BICR.WASHER B DIN125-ST 5,3	ARAN.B DIN125-ST BICR. 5,3	RONDELLE B BICR.DIN125-ST 5,3
41	283069	LIMIT SWITCH DRIVE	ACCIONADOR FINAL DE CARRERA	ACCIONNEMENT FIN DE COURSE
42	145748	SCREW DIN85 INOX A2-70 M5X45	TOR.PLA.DIN85 INOX A2-70 M5X45	VIS P DIN85 INOX A2-70 M5X45
43	512947	SUSPENDEED SET END-PIECE	TOPE GRUPO FLOTANTE	ARRET GROUPE SUSPENDU
44	258228	DOOR HOOK	GANCHO ESCOTILLA	CROCHET HUBLLOT
45	189696	SELFOIL SLEEVE B11A 6-10-5	COJ. SELFOIL B11A 6-10- 5	FRETTE SELFOIL B11A 6-10-5
46	146316	BICR.HEX SCREW DIN933-8 M-6X20	TOR.EX.DIN933-8.8 B.TRI.M 6X20	VIX HEX BICR.DIN933-8.8 M-6X20
47	454827	PNEUMATIC HOSE FIXING PLATE	CHAPA FIJACION TUBO NEUMATICO	PLAQUE FIXATION TUBE PNEUMATIQUE
48	176834	SELF-LOCKING NUT DIN985-8 B.TRI.M6	TUER.AUTOBL.DIN985-8 B.TRI.M6	ECROU AUTOBLOCANT DIN985-8 B.TRI.M6
49	258210	DOOR HOOK FIXING	SUJECCION GANCHO ESCOTILLA	FIXATION CROCHET HUBLLOT
50	149328	INOX A2 WASHER DIN 125 4,3	ARAN. DIN125 INOX A2 4,3	RONDELLE INOX A2 DIN 125 4,3
51	149922	INOX HEX. NUT DIN 934 M-4	TUER.EX.DIN934 INOX A2-70 M 4	ECROU HEX. INOX DIN 934 M-4
52	176792	SELF-LOCKING NUT DIN985 INOX M 4	TUER.AUTOBL.DIN985 INOX M 4*	ECROU AUTOBLOCANT DIN985 INOX M 4

Nº	REF	DENOMINATION	DENOMINACIÓN	DENOMINATION
53	284950	KNOB PROTECTION	PROTECCION EMPUÑADURA	PROTECTION POIGNEE
54	288043	KNOB PROTECTION PIECE	PIEZA PROTECCION EMPUÑADURA	PIECE PROTECTION POIGNEE
55	304394	KNOB 1126.E DIN 6336.D	POMO 1126.E DIN 6336.D M8X47	POIGNEE 1126.E DIN 6336.D
56	149351	WASHER DIN 125B M8 INOX A2	ARANDELA DIN 125B M8 INOX A2	RONDELLE DIN 125B M8 INOX A2
57	144774	HEX SCREW DIN 933 A2-70 M5x10	TORNILLO HEXAGONAL DIN 933 A2-70 M5x10	VIS HEXAGONALE DIN 933 A2-70 M5x10
58	149369	INOX A2 WASHER DIN 125 5,3	ARAN. DIN125 INOX A2 5,3	RONDELLE INOX A2 DIN 125 5,3
59	512954	THREADED PIN	VARILLA ROSCADA	BAGUETTE FILETEE
60	513028	SEPARATOR	SEPARADOR	SEPARATEUR
61	307371	REG.FILTER B72G-2GK-QT3-RMN	FILTRO/REGUL.B72G-2GK-QT3-RMN	FILTRE/REG.B72G-2GK-QT3-RMN
62	186593	MANOMETER 3-50/10/A	MANOMETRO 3-50/10/A	MANOMETRE 3-50/10/A
63	307389	STD AY-4224-50 BRACKET	SOPORTE STANDARD AY-4224-50	SUPPORT STD AY-4224-50
64	140525	CLAMP 2244-0	BRIDA UNEX 2244-0 *	BRIDE 2244-0
65	146258	BIC.HEX SCREW DIN933-4.8 M4X10	TOR.EX.DIN933-4.8 B.TRI.M 4X10	VIS HEX DIN933-4.8 BICR.M 4X10
66	149476	BICR.WASHER B DIN125-ST 4,3	ARAN.B DIN125-ST B.TRI. 4,3	RONDELLE B DIN125-ST BICR.4,3
67	150185	BICR.HEX.NUT DIN934-8 M4	TUER.EX.DIN934-8 B.TRI.M 4	ECROU HEX.DIN934-8 BICR.M4
68	186619	SLEEVE 1/4" REF. 1231013	ESPIGA ROSCADA 1/4"REF.1231013	MANCHON 1/4" REF. 1231013
69	186627	ELBOW CONNECTION RE.3109.10.13	CONEXION CODO REF.3109.10.13	CONNEXION COUDE REF.3109.10.13
70	359760	POLYURETANE HOSE D10X6.5 TU1065BU (1 METER)	TUBO POLIURET.D10X6.5 TU1065BU (1 METRO)	TUBE POLYURETANE D10X6.5 TU1065BU (1 METRE)
71	283093	SIDE PANEL BRACKET	SOPORTE TAPAS LATERALES	SUPPORT COUVERCLE LATERAL
72	334326	RACCORD IN REC D10 1/4	RACOR EN REC D10 1/4 31751013	RACCORD EN REC D10 1/4
73	359703	PRESSURE REGULATOR AR20-F02H	REGULADOR PRESION AR20-F02H-B	REGULATEUR DE PRESSION AR20-F02H
74	359695	EXTENSION 1/4 2525-1/4-27	ALARGADERA 1/4 2525-1/4-27	EXTENSION 1/4 2525-1/4-27
75	359679	STRAIGHT UNION 1/4 2500 1/4	UNION RECTA 1/4 2500 1/4	UNION DROITE 1/4 2500 1/4
76	359687	SILENCER AN203-02	SILENCIADOR AN203-02	SILENCIEUX AN203-02
77	359661	BASE PLATE SY5000-27-1F-Q	PLACA BASE SY5000-27-1F-Q	PLAQUE BASE SY5000-27-1F-Q
78	359596	E.V N/C DOUBLE 12DC SV2A00-6W3A	E.V N/C DOBLE 12DC SV2A00-6W3A	E.V N/C DOUBLE 12DC SV2A00-6W3A
79	359752	POLYURETANE HOSE D6X4 TU0604BU	TUBO POLIURETANO D6X4 TU0604BU	TUBE POLYURETANE D6X4 TU0604BU
80	359588	RACCORD IN REC D6 1/4 KQ2H06-02S	RACOR EN REC D6 1/4 KQ2H06-02S	RACCORD EN REC D6 1/4 KQ2H06-02S

Nº	REF	DENOMINATION	DENOMINACIÓN	DENOMINATION
81	157198	THERMOSTAT SHEATH LODGING	PASAMUROS TERMOSTATO	LOGEMENT THERMOSTAT
82	454710	PRESSURE ADJUSTING SQUARE	ESCUADRA REGULADOR PRESION	EQUERRE REGLAGE PRESSION
83	359786	ELBOW RACCORD D6 1/4" 31290613	RACOR CODO EL D6 1/4" 31290613	RACCORD COUDE D6 1/4" 31290613
84	455196	REAR PROTECTION COVER	TAPA PROTECCION POSTERIOR	COUVERCLE PROTECTION ARRIERE
85	455212	REAR PROTECTION COVER	TAPA PROTECCION POSTERIOR	COUVERCLE PROTECTION ARRIERE
86	183400	PLATE SCREW ST-4, 20 P.F. C/AL.T25	TORNILLO CHAPA ST-4 (ESPECIAL)*	VIS PLAQUE ST-4, 20 P.F. C/AL.T25
87	456632	WIRETHROUGH CHANNEL	CANAL PASACABLES	CHANNEL PASSECABLES
88	276527	LOCK END-PIECE	TOPE CIERRE	ARRET FERMETURE
89	115758	WASHER 20X7X2	ARANDELA 20X7X2 INOX	RONDELLE 20X7X2
90	283085	SPRING FIXING-PIECE	FIJACION MUELLE	FIXATION RESSORT
91	177329	FINGER PROTECTION SPRING	MUELLE GUARDAMANOS	RESSORTS PROTECTION DOIGTS
92	283127	PANEL HINGE	CHARNELA TAPA	CHARNIERE COUVERCLE
93	150227	BICR HEX NUT DIN934-8 M6	TUER.EX.DIN934-8 B.TRI.M 6	ECROU HEX DIN934-8 BICR.M6
94	289116	SPRING FIXING	FIJACION MUELLE	FIXATION RESSORT



N°	REF	DENOMINATION	DENOMINACIÓN	DENOMINATION
1	600577	DRAIN G3-C-180	DESAGÜE G3-C-180	VIDANGE G3-C-180
2	278002	RUBER ELBOW D73X350X210	CODO GOMA D73X350X210	COUDE GOMME D73X350X210
3	132340	CLAMP REF.30173380-2 D80-100	ABRAZADERA REF.30173380-2 D80-100	BRIDE REF.30173380-2 D80-100
4	178152	UNION T	TE UNION	T UNION
5	358168	DRAIN HOSE	TUBO DESAGÜE	TUBE VIDANGE
6	277053	DRAIN JOINTING HOSE	TUBO UNION DESAGUE	TUBE UNION VIDANGE
7	163253	DRAIN OUTLET HOSE	TUBO SALIDA DESAGÜE	TUBE SORTIE VIDANGE
8	358192	CLAMP 130-150 *	ABRAZADERA 130-150 *	BRIDE 130-150 *
9	135004	CONICAL END-PIECE REPRIMSA R16	TOPE CONICO REPRIMSA R-16 D30	ARRET CONIQUE REPRIMSA R16 D30
10	149609	CLAMP 25-40	ABRAZADERA 25- 40 *	BRIDE 25-40
11	243717	DRAIN BRACKET	SOPORTE DESAGÜE	SUPPORT VIDANGE
12	144881	INOX HEX SCREW DIN933 M 6X16	TOR.EX.DIN933INOX A2-70 M 6X16	VIS HEX INOX DIN933 M 6X16
13	149310	INOX.A2 WASHER DIN125 6,4	ARAN. DIN125 INOX A2 6,4	RONDELLE INOX.A2 DIN125 6,4
14	149971	INOX. HEX. NUT DIN 934 M-6	TUER.EX.DIN934 INOX A2-70 M 6	ECROU HEX. INOX. DIN 934 M-6
15	144964	HEX SCREW DIN 933 A2-70 M8x16	TORNILLO HEXAGONAL DIN 933 A2-70 M8x16	VIS HEXAGONALE DIN 933 A2-70 M8x16
16	149351	WASHER DIN 125B M8 INOX A2	ARANDELA DIN 125B M8 INOX A2	RONDELLE DIN 125B M8 INOX A2
		WITHOUT ILLUSTRATION	SIN ILUSTRACION	SANS ILLUSTRATION
	793570	SECOND DRAIN KIT	KIT 2° DESAGUE HS-6057	KIT DEUXIEME VIDANGE



N°	REF	DENOMINATION	DENOMINACIÓN	DENOMINATION
1	553156	PENDANT CONTROL ST. 4 BUTTONS	CAJA COLGANTE 4 BOTONES *	BOITE PENDANTE 4 BOUTONS
2	553131	BLACK RND.RAS.PUSH-BUTTON ZA2-	PULSADOR RAS.RED.NEGR.ZA2-BA2*	PULSATEUR RAS.RND.NOIR ZA2-BA2
3	553123	BLACK 3POS.SELECTOR ZA2-BD3	SELECTOR 3POS.EMB.NEG.ZA2-BD3*	SELECTEUR 3POS.GAR.NOI.ZA2-BD3
4	553115	BLACK 3POS.SELECTOR ZA2-BD5	SELECTOR 3POS.EMB.NEG.ZA2-BD5*	SELECTEUR 3POS.GAR.NOI.ZA2-BD5
5	153163	CONTACT 1*NA ZB2-BE101	CONTACTO 1*NA ZB2-BE101 *	CONTACT 1*NA ZB2-BE101
6	552083	CONTROL LABEL	ETIQUETA MANDO	ETIQUETTE COMMANDE
7	549014	CONTROL BRACKET	SOPORTE MANDO	SUPPORT COMMANDE
8	165472	ETHILENE-PROP. PROFILE (1 METER)	PERFIL ETILENO-PROP.REF.44117L (1 METRO)	PROFILE ETHILENE-PROP. (1 METRE)
9	146258	BIC.HEX SCREW DIN933-4.8 M4X10	TOR.EX.DIN933-4.8 B.TRI.M 4X10	VIS HEX DIN933-4.8 BICR.M 4X10
10	149476	BICR.WASHER B DIN125-ST 4,3	ARAN.B DIN125-ST B.TRI. 4,3	RONDELLE B DIN125-ST BICR.4,3
11	132043	SELF-LOCKING NUT DIN985-8 B.TRI.M 4	TUER.AUTOBL.DIN985-8 B.TRI.M 4	ECROU AUTOBLOCANT DIN985-8 B.TRI.M 4
12	112219	CABLE CLIP 3 MM	SUJETA CABLES VIMI DE 3 MM.	ATTACHE CABLE 3 MM
13	553149	STEEL WIRE D2 (1 METER)	CABLE ACERO D2 (1 METRO)	CABLE ACIER D2 (1 METRE)
14	510529	NYLOFIX HOSE DN12 REF.AGT-12G (1 METER)	TUBO NYLOFIX DN12 REF.AGT-12G (1 METRO)	TUBE NYLOFIX DN12 REF.AGT-12G (1 METRE)
15	510552	RACCORD M20 REF.MIR-12M20G	RACOR M20 REF.MIR-12M20G	RACCORD M20 REF.MIR-12M20G
16	553164	ELBOW 90° METALLIC 572054 M20	CODO 90° METALICO 572054 M20	COUDE 90° METALLIQUE 572054M20
17	552182	CTRL. HANGING CABLE END-PIECE	TOPE CABLE RETENCION MANDO	ARRET CABLE RETENTION COMMANDE
18	341354	NUT M 312005 M20	TUERCA M 312005 M20	ECROU M 312005 M20
19	352237	TORSION CLAMP 20MM	ABRAZADERA TORSION 20MM	TORSION CLAMP 20MM
20	332809	CIRCUIT BRACKET LCBS-4-7-01	SOPORTE CIRCUITO LCBS-4-7-01	SUPPORT CIRCUIT LCBS-4-7-01
21	549386	INTELI BOARD E/S-4/A (TILT)	PLACA INTELI E/S-4/A (MD)	PLAQUE INTELI E/S-4/A (TILT)
22	199893	CLAMP STL-450-3-01	ABRAZADERA STL-450-3-01	BRIDE STL-450-3-01