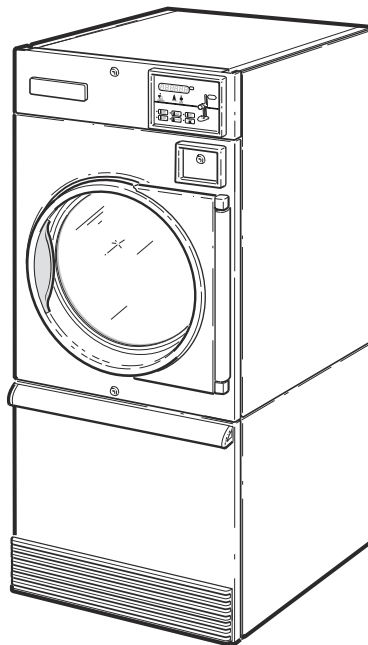


# Tumble Dryers

30 Pound Capacity

Models with 0 or 3 in 13th Position of Model Number

Refer to Page 5 for Model Numbers



TMB1283C\_70591301



# Table of Contents

Title	Page
Parts Ordering Information.....	3
Serial Plate Location .....	3
Model Identification .....	5
Product Overview - Heat Source and Voltage .....	6
Product Overview - FN Control Suffix .....	8
Product Overview - DN and NN Control Suffixes.....	10
Product Overview - B, N and W Control Suffixes.....	12
Dual Digital Control .....	14
Electronic Display Control - Vend Models with B in the 7th Position .....	16
Electronic Display Control - Vend Models with N or W in the 7th Position.....	18
Electronic Display Control Overlays - Vend Models with N or W in the 7th Position .....	20
Electronic Display Control - OPL Models with N in the 7th Position .....	22
3.5 Inch Graphical Control .....	24
Coin Drops .....	26
Coin Drop Kits.....	28
Door Assemblies.....	30
Door Components.....	32
Hinge Components .....	34
False Fronts .....	36
Control Panels .....	38
Front Panel Assemblies .....	40
Cabinet Front Components.....	42
Emergency Stop Button .....	44
Lower Cabinet Components .....	46
Lower Cabinet Components - S Models with Hinged Lint Door.....	48
Cylinder and Trunnion Assembly .....	50
Moisture Sensing Components.....	52
Cylinder Components .....	54
Cabinet Components .....	56
Fire Suppression System Components .....	58
Fire Suppression System Control Box .....	60
Motor Components .....	62
Blower and Exhaust Components.....	64
Airflow Switch.....	66
Gas Heater Components .....	68
Burner Orifices .....	70
Electric Heater Components .....	72
Steam Heater Components .....	74
Control Tray .....	76
Accessory Box - Electric 200-240 Volt Models .....	78
Accessory Box - Electric 380-480 Volt Models .....	80

© Copyright 2018, Alliance Laundry Systems LLC

All rights reserved. No part of the contents of this book may be reproduced or transmitted in any form or by any means without the expressed written consent of the publisher.

Harnesses .....	82
Labels .....	83
Parts Index.....	85

## Parts Ordering Information

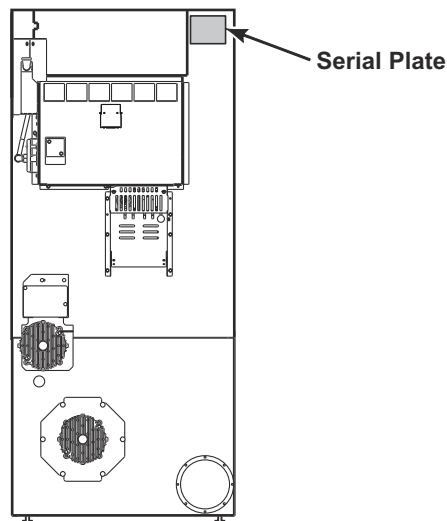
If literature or replacement parts are required, contact the source from whom the machine was purchased or contact Alliance Laundry Systems at (920) 748-3950 for the name and address of the nearest authorized parts distributor.

For technical assistance, call the number listed below:

(920) 748-3121 Ripon, Wisconsin

## Serial Plate Location

When calling or writing about your product, be sure to mention model and serial numbers. Model and serial numbers are located on serial plate(s) as shown.



TMB3500P\_70591301

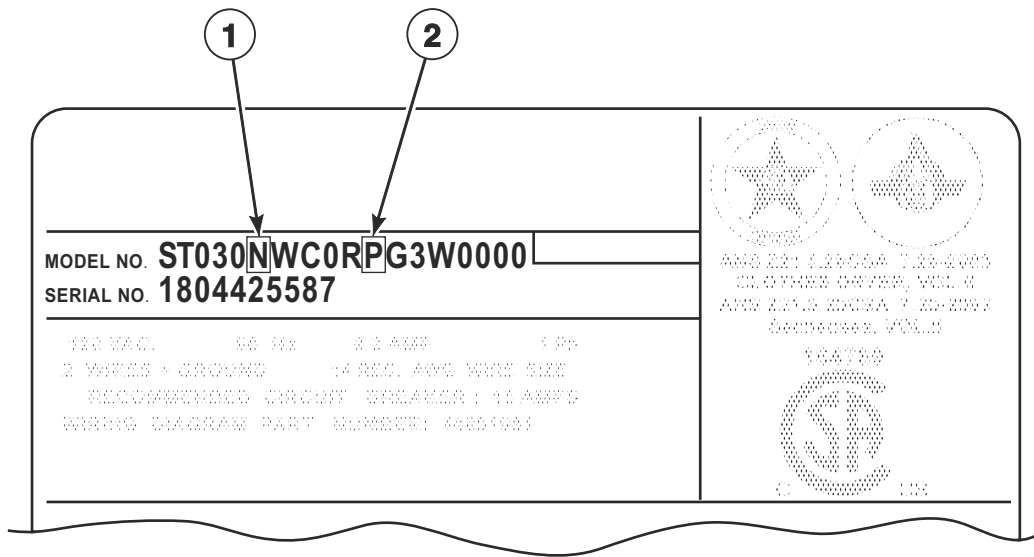


## Model Identification

Information in this manual is applicable to these tumbler models:

BA030E	GJ030S	MG030D	PJ030S	SU030E
BA030F	GK030N	MG030E	PK030N	SU030F
BA030L	GU030E	MG030F	PT030E	SU030L
BA030N	GU030L	MG030L	PT030L	SU030N
BA030R	GU030N	MG030N	PT030N	SU030R
BA030S	GU030S	MG030R	PT030S	SU030S
BG030D	HA030E	MG030S	PU030E	UA030E
BG030E	HA030F	MJ030D	PU030L	UA030F
BG030F	HA030L	MJ030E	PU030N	UA030L
BG030L	HA030N	MJ030F	PU030S	UA030N
BG030N	HA030R	MJ030L	SA030E	UA030R
BG030R	HA030S	MJ030N	SA030F	UA030S
BG030S	HG030D	MJ030R	SA030L	UG030D
BH030E	HG030E	MJ030S	SA030N	UG030E
BH030F	HG030F	NA030E	SA030R	UG030F
BH030L	HG030L	NA030L	SA030S	UG030L
BH030N	HG030N	NA030N	SG030D	UG030N
BH030R	HG030R	NA030S	SG030E	UG030R
BH030S	HG030S	NG030E	SG030F	UG030S
BJ030D	HH030E	NG030L	SG030L	UH030E
BJ030E	HH030F	NG030N	SG030N	UH030F
BJ030F	HH030L	NG030S	SG030R	UH030L
BJ030L	HH030N	NH030E	SG030S	UH030N
BJ030N	HH030R	NH030L	SH030E	UH030R
BJ030R	HH030S	NH030N	SH030F	UH030S
BJ030S	HJ030D	NH030S	SH030L	UJ030D
BK030N	HJ030E	NJ030E	SH030N	UJ030E
BK030R	HJ030F	NJ030L	SH030R	UJ030F
BU030E	HJ030L	NJ030N	SH030S	UJ030L
BU030F	HJ030N	NJ030S	SJ030D	UJ030N
BU030L	HJ030R	NK030N	SJ030E	UJ030R
BU030N	HJ030S	NU030E	SJ030F	UJ030S
BU030R	HK030N	NU030L	SJ030L	UK030N
BU030S	HK030R	NU030N	SJ030N	UK030R
GA030E	HT030E	NU030S	SJ030R	UT030E
GA030L	HT030F	PA030E	SJ030S	UT030F
GA030N	HT030L	PA030L	SK030N	UT030L
GA030S	HT030N	PA030N	SK030R	UT030N
GG030E	HT030R	PA030S	SL030E	UT030R
GG030L	HT030S	PG030E	SL030L	UT030S
GG030N	HU030E	PG030L	ST030E	UU030E
GG030S	HU030F	PG030N	ST030F	UU030F
GH030E	HU030L	PG030S	ST030L	UU030L
GH030L	HU030N	PH030E	ST030N	UU030N
GH030N	HU030R	PH030L	ST030R	UU030R
GH030S	HU030S	PH030N	ST030S	UU030S
GJ030E	KT030E	PH030S		
GJ030L	KT030L	PJ030E		
GJ030N	KT030N	PJ030L		
	KT030S	PJ030N		

# Product Overview - Heat Source and Voltage



TMB3525P\_70591301

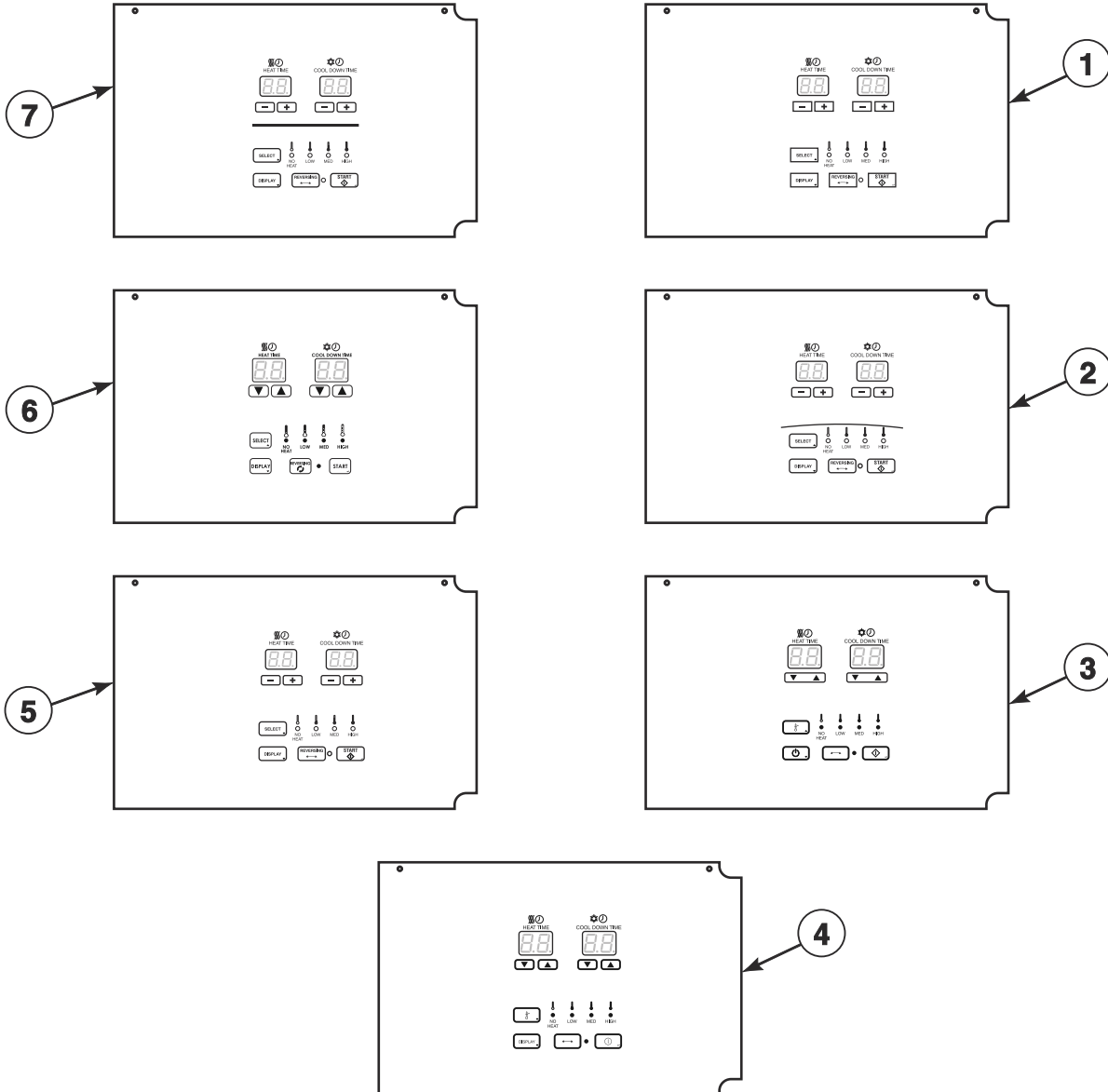
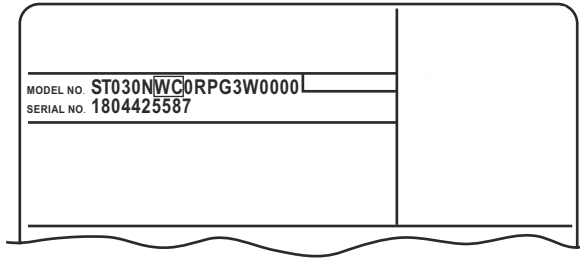


## Product Overview - Heat Source and Voltage

REF	PART NO.	DESCRIPTION	COMMENTS
1	-	Heat Source	D: Liquid Petroleum Gas (L.P) E: Electric F: Reduced Electric (Eco Line) L: Liquid Petroleum Gas (L.P.) N: Natural Gas (N.G.) R: Reduced Gas, Natural Gas (Eco Line) S: Steam
2	-	Voltage	B: 100-120 Volt/50-60 Hertz/1 Phase; Gas and steam models D: 200-208 Volt/50-60 Hertz/1 Phase; Electric models E: 230-240 Volt/50-60 Hertz/1 Phase; Electric models F: 200-208 Volt/50-60 Hertz/3 Phase; Electric models G: 230-240 Volt/50-60 Hertz/3 Phase; Electric models H: 380 Volt/50-60 Hertz/3 Phase; Electric models J: 400-415 Volt/50-60 Hertz/3 Phase; Electric models K: 440 Volt/50-60 Hertz/3 Phase; Electric models L: 460-480 Volt/50-60 Hertz/3 Phase; Electric models N: 440-480 Volt/50-60 Hertz/3 Phase; Gas and steam models P: 380-415 Volt/50-60 Hertz/3 Phase; Gas and steam models X: 200-240 Volt/50-60 Hertz/1-3 Phase; Gas and steam models

# Product Overview - FN Control Suffix

All Models Except M Models; OPL



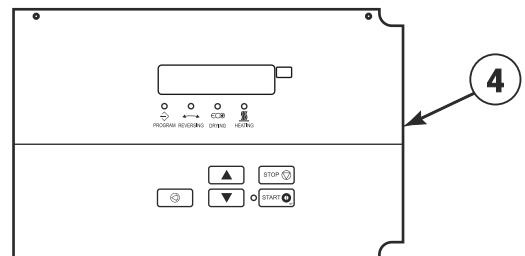
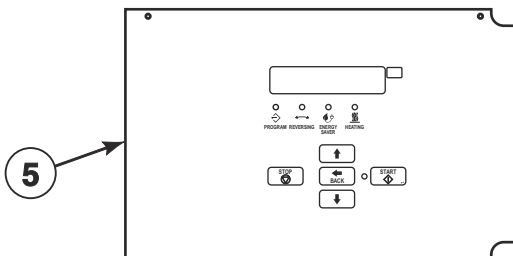
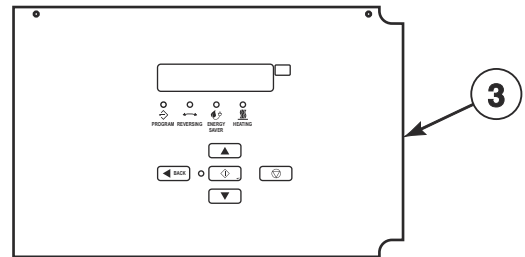
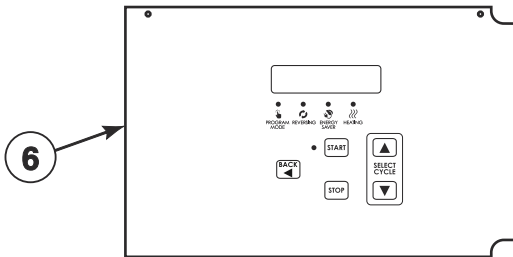
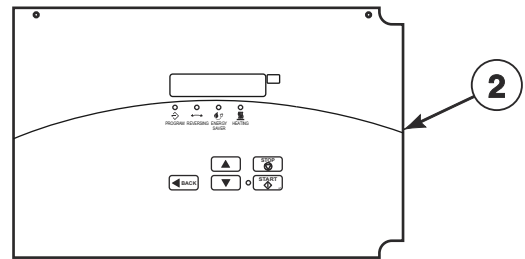
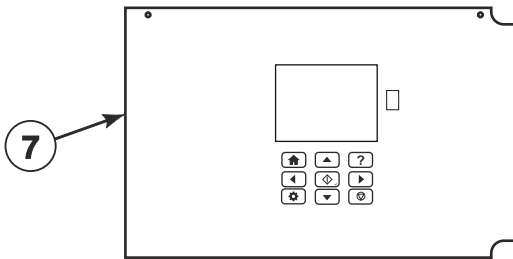
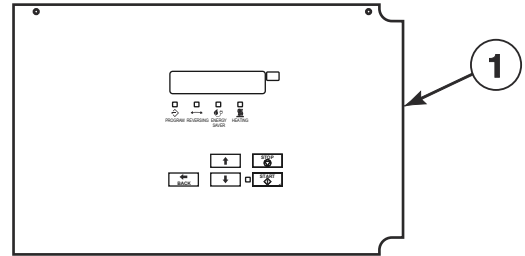
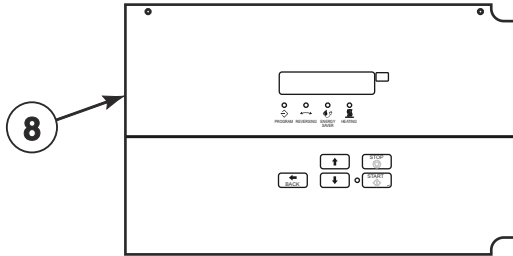
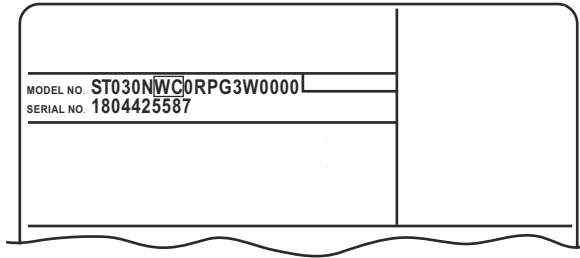
TMB3526P\_70591301

## Product Overview - FN Control Suffix

REF	PART NO.	DESCRIPTION	COMMENTS
1	-	Dual Digital Control	H models
2	-	Dual Digital Control	U models
3	-	Dual Digital Control	B models
4	-	Dual Digital Control	P models
5	-	Dual Digital Control	N models
6	-	Dual Digital Control	G and K models
7	-	Dual Digital Control	S models

# Product Overview - DN and NN Control Suffixes

All Models Except M Models; OPL



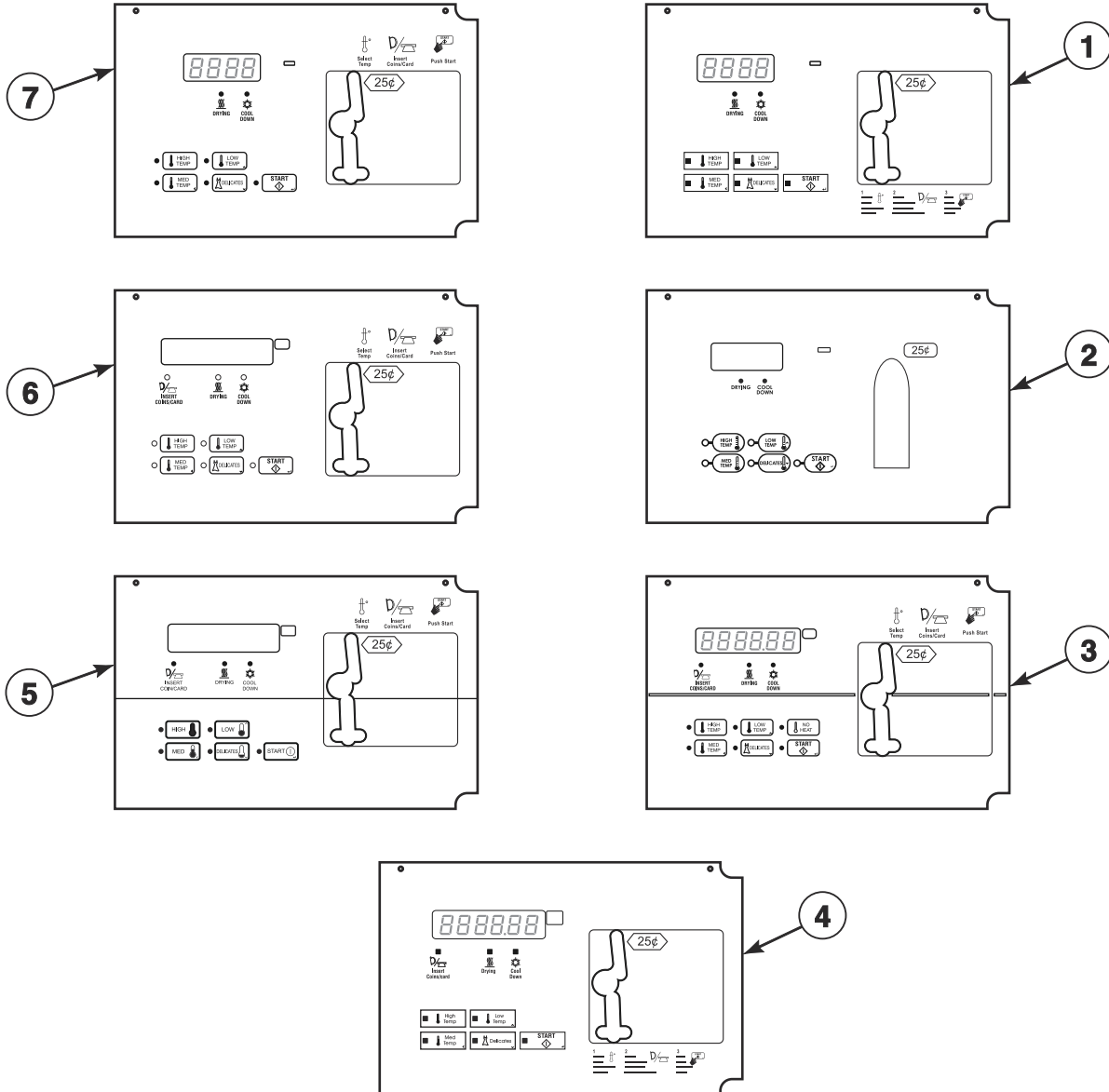
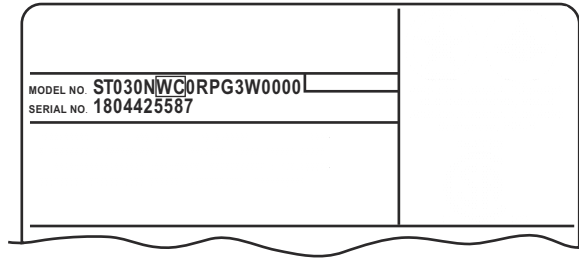
TMB3527P\_70591301

## Product Overview - DN and NN Control Suffixes

REF	PART NO.	DESCRIPTION	COMMENTS
1	-	Galaxy Control	H models
2	-	M-Series Control	U models
3	-	OPTimum Control	B models
4	-	OPL Micro Control	P models
5	-	OPL Micro Control	N models
6	-	OPL Micro Control	G and K models
7	-	UniLinc Control	U models
8	-	Quantum Gold Control	S models

# Product Overview - B, N and W Control Suffixes

7th Position of the Model Number; Vend



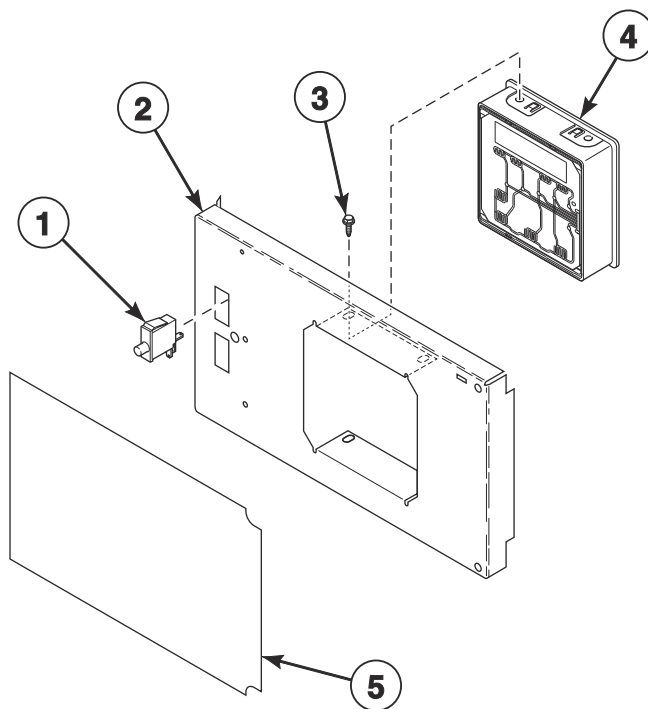
TMB3528P\_70591301

## Product Overview - B, N and W Control Suffixes

REF	PART NO.	DESCRIPTION	COMMENTS
1	-	Basic Electronic Control	H and N models
2	-	Basic Electronic Control	G and K models
3	-	Quantum Gold Control	M and S models
4	-	Galaxy 600	H models
5	-	XQ Control	P models
6	-	EVO7S Control	B models
7	-	MDC II Control	S models

# Dual Digital Control

All Models Except M Models with F in the 7th Position



TMB3505P\_70591301

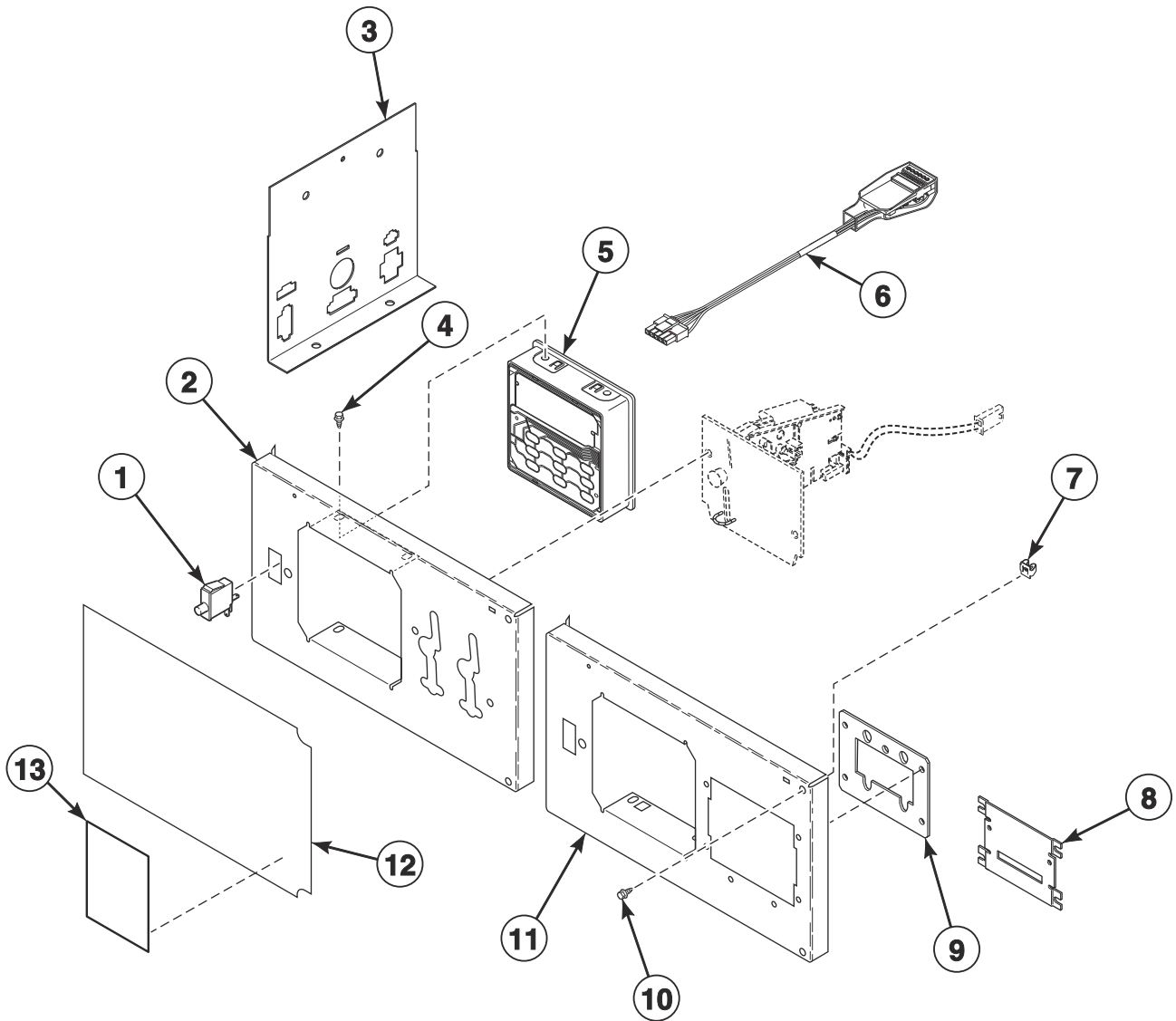


# Dual Digital Control

REF	PART NO.	DESCRIPTION	COMMENTS
	44334001	Vend Activation Harness	
1	70413301	Pushbutton Switch	
2	70497101	Control Plate	
3	804608	Screw	4 required
4	70523101	Control Assembly	P models
	70479801	Control Assembly	G, H, K, N, S and U models
	70479901	Control Assembly	B models
5	70539102	Overlay	B models; Nonreversing
	70539101	Overlay	B models; Reversing
	70547502	Overlay	G and K models; Nonreversing
	70547501	Overlay	G and K models; Reversing
	70517802	Overlay	H models; Nonreversing
	70517801	Overlay	H models; Reversing
	70545502	Overlay	P models; Nonreversing
	70545501	Overlay	P models; Reversing
	70516802	Overlay	N and S models; Nonreversing
	70516801	Overlay	N and S models; Reversing
	70519002	Overlay	U models; Nonreversing
	70519001	Overlay	U models; Reversing

# Electronic Display Control - Vend Models with B in the 7th Position

G, H, K, N and S Models



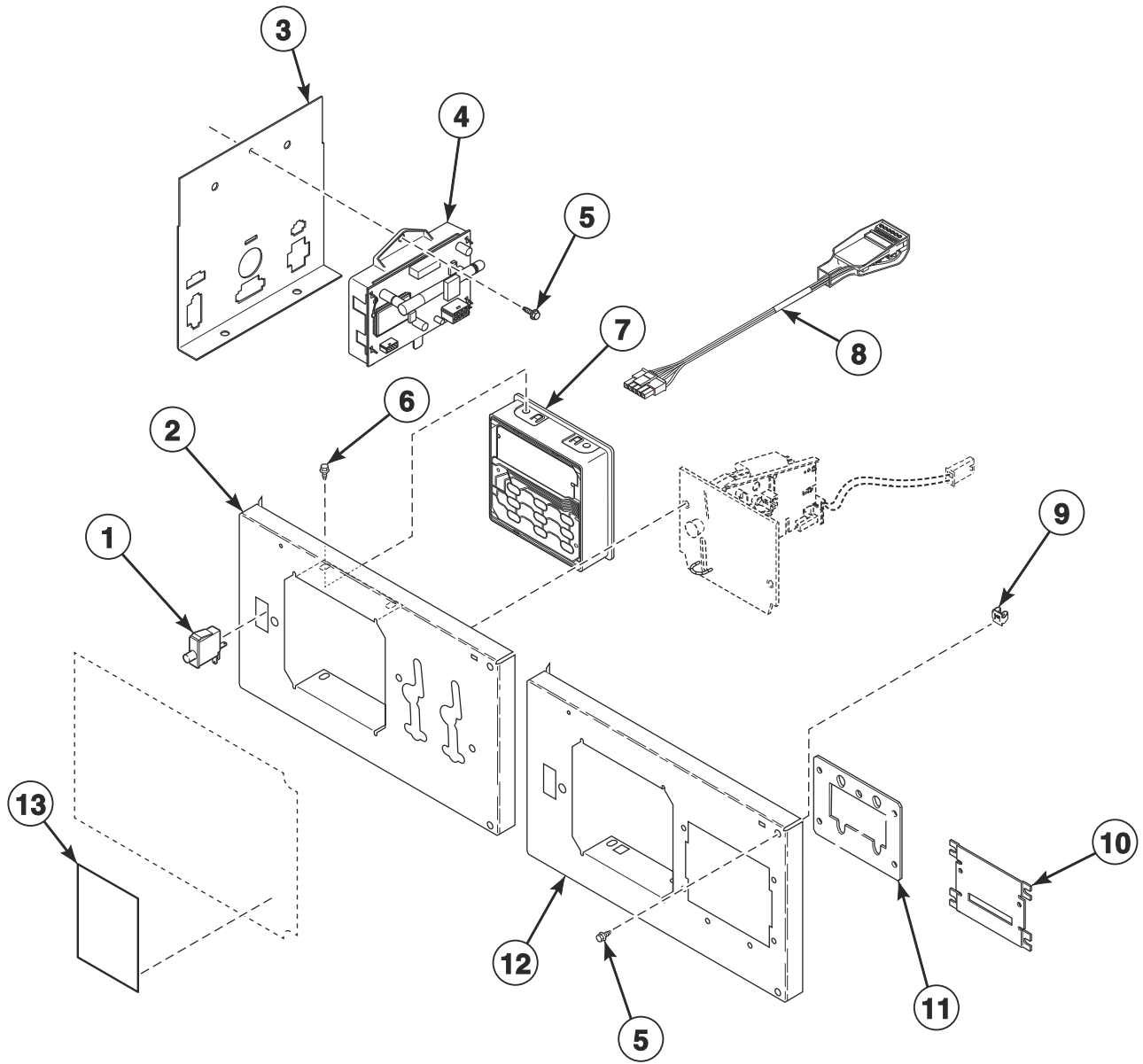
TMB3506P\_70591301

# Electronic Display Control - Vend Models with B in the 7th Position

REF	PART NO.	DESCRIPTION	COMMENTS
	44334001	Vend Activation Harness	
	44342801	Central Pay Harness	
<b>1</b>	70413301	Pushbutton Switch	
<b>2</b>	70496601	Control Plate and Studs Assembly	Coin and central pay
<b>3</b>	70307007	Harness Mounting Plate	
<b>4</b>	804608	Screw	4 required
<b>5</b>	70478801	Control Assembly	
<b>6</b>	203361P	Machine ID Control Assembly	Model or serial number is required when ordering
<b>7</b>	70030501	Expansion Clip	2 required
<b>8</b>	44089501	Slot Card Plate Assembly	H, N and S models; Included in literature packet
<b>9</b>	70208801	Mounting Plate	
<b>10</b>	M411072	Screw	2 required
<b>11</b>	70497201	Control Plate Assembly	Card and card ready
<b>12</b>	70544701	Overlay	N and S models; Single drop
	70544702	Overlay	N and S models; Dual drop
	70544703	Overlay	N and S models; Card ready
	70570301	Overlay	H models; Single drop
	70570302	Overlay	H models; Dual drop
	70570303	Overlay	H models; Card ready
	70547401	Overlay	G and K models; Single drop
	70547402	Overlay	G and K models; Dual drop
	70548101	Overlay	G and K models; Card ready
	<b>13</b>	F8205101	Overlay
70557001		Overlay	N and S models; Prep for card
70557002		Overlay	N and S models; Central pay
70556501		Overlay	H models; Prep for card
70556502		Overlay	H models; Central pay
70518101		Overlay	H models; Citron; Prep for card
70518102		Overlay	H models; Citron; Central pay

# Electronic Display Control - Vend Models with N or W in the 7th Position

B, H, M, P and S Models



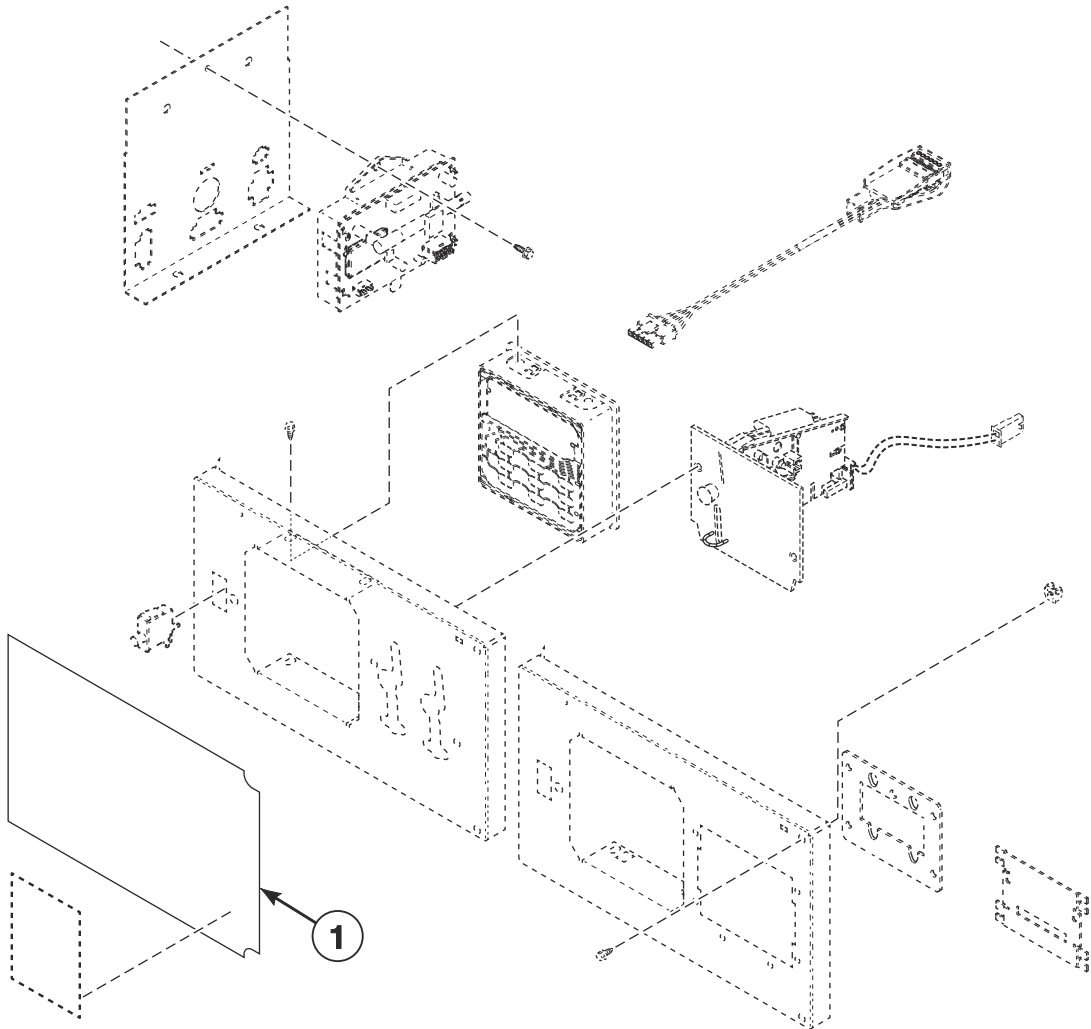
TMB3507P\_70591301

## Electronic Display Control - Vend Models with N or W in the 7th Position

REF	PART NO.	DESCRIPTION	COMMENTS
	70596301	Wireless Network Kit	
	44334001	Vend Activation Harness	
	F8536002	Wireless Network Board Harness	
	F8613201	FCC-IC Label	HT, PT and ST models
	F8649601	Label	H models
<b>1</b>	70413301	Pushbutton Switch	
<b>2</b>	70496601	Control Plate and Studs Assembly	Coin and central pay
<b>3</b>	70307007	Harness Mounting Plate	
<b>4</b>	203532	Wireless Network Control Assembly	
<b>5</b>	M411072	Screw	
<b>6</b>	804608	Screw	4 required
<b>7</b>	70523001	Control Assembly	P models
	70478801	Control Assembly	H, M and S models
	70478901	Control Assembly	B models
<b>8</b>	203361P	Machine ID Control Assembly	Model or serial number is required when ordering
<b>9</b>	70030501	Expansion Clip	
<b>10</b>	44089501	Slot Card Plate Assembly	
<b>11</b>	70208801	Mounting Plate	
<b>12</b>	70497201	Control Plate Assembly	Card and card ready
<b>13</b>	F8205101	Overlay	S models; Single drop; Left
	70557001	Overlay	B and S models; Prep for card
	70557002	Overlay	B and S models; Central pay
	70295101	Overlay	S models; World drop
	70556801	Overlay	H models; World drop
	70556501	Overlay	H models; Prep for card
	70556502	Overlay	H models; Central pay
	70556601	Overlay	H models; Single drop; Left
	70556901	Overlay	H models; Citron; World drop
	70518101	Overlay	H models; Citron; Prep for card
	70518102	Overlay	H models; Citron; Central pay
	70556701	Overlay	H models; Citron; Left
	70556201	Overlay	P models; Single drop; Right
	70556401	Overlay	P models; Prep for card
	70556402	Overlay	P models; Central pay
	70556301	Overlay	P models; Single drop; Left

# Electronic Display Control Overlays - Vend Models with N or W in the 7th Position

B, H, M, P and S Models



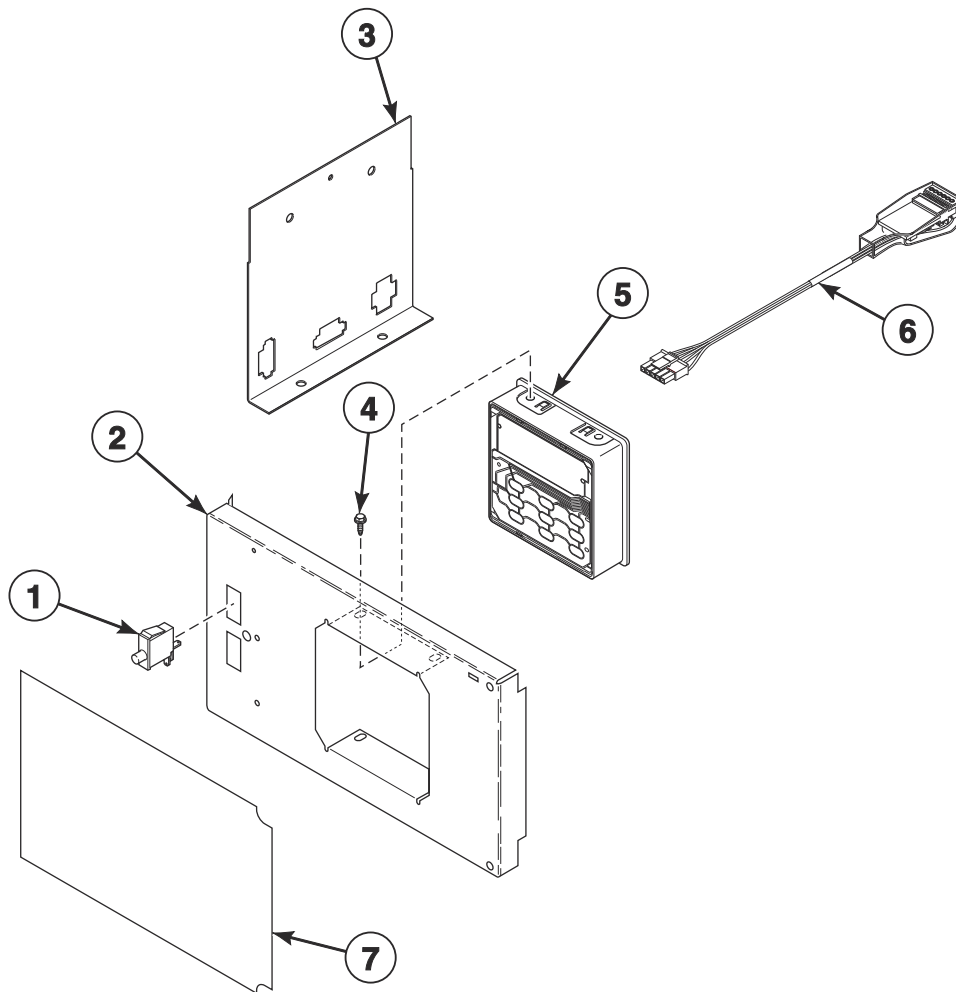
TMB3507PA\_70591301

## Electronic Display Control Overlays - Vend Models with N or W in the 7th Position

REF	PART NO.	DESCRIPTION	COMMENTS
1	70512004	Overlay	S models; Single drop
	70512005	Overlay	S models; Dual drop
	70512006	Overlay	S models; Card ready
	70512007	Overlay	S models; Central pay
	70512008	Overlay	S models; World drop
	70559001	Overlay	Models SG030D and SJ030D
	70572601	Overlay	M models
	70517001	Overlay	H models; Single drop
	70517002	Overlay	H models; Dual drop
	70517003	Overlay	H models; Card ready
	70517004	Overlay	H models; Central pay
	70517005	Overlay	H models; World drop
	70571001	Overlay	H models; Single drop; Cityscape
	70571002	Overlay	H models; Dual drop; Cityscape
	70571003	Overlay	H models; Card ready; Cityscape
	70518201	Overlay	H models; Single drop; Citron
	70518202	Overlay	H models; Dual drop; Citron
	70518203	Overlay	H models; Card ready; Citron
	70571101	Overlay	B models; Single drop
	70571102	Overlay	B models; Dual drop
	70571103	Overlay	B models; Card ready
	70541201	Overlay	P models; Single drop
	70541202	Overlay	P models; Dual drop
	70541203	Overlay	P models; Card ready

# Electronic Display Control - OPL Models with N in the 7th Position

All models Except M Models



TMB3508P\_70591301

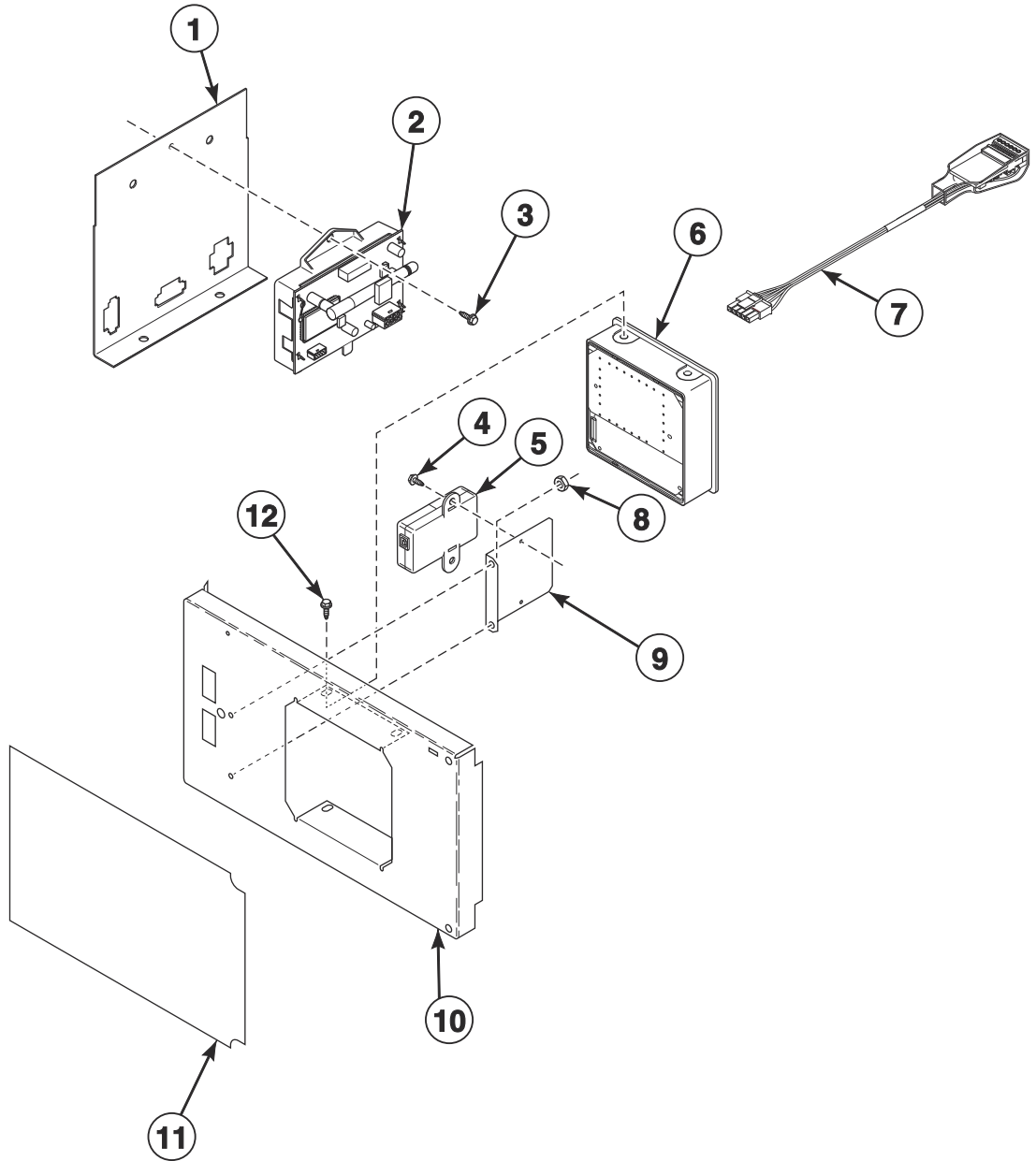


## Electronic Display Control - OPL Models with N in the 7th Position

REF	PART NO.	DESCRIPTION	COMMENTS
	44334001	Vend Activation Harness	
1	70413301	Pushbutton Switch	
2	70497101	Control Plate	
3	70307007	Harness Mounting Plate	
4	804608	Screw	4 required
5	70523002	Control Assembly	P models
	70478802	Control Assembly	G, H, K, N, S and U models
	70478902	Control Assembly	B models
6	203361P	Machine ID Control Assembly	Model or serial number is required when ordering
7	70570601	Overlay	S models; Reversing
	70570602	Overlay	S models; Nonreversing
	70571401	Overlay	U models; Reversing
	70571402	Overlay	U models; Nonreversing
	70570801	Overlay	H models; Reversing
	70570802	Overlay	H models; Nonreversing
	70548801	Overlay	B models; Reversing
	70548802	Overlay	B models; Nonreversing
	70547801	Overlay	G and K models; Reversing
	70547802	Overlay	G and K models; Nonreversing
	70571601	Overlay	P models; Reversing
	70571602	Overlay	P models; Nonreversing
	70572401	Overlay	N models; Reversing
	70572402	Overlay	N models; Nonreversing

# 3.5 Inch Graphical Control

U Models with D in the 7th Position



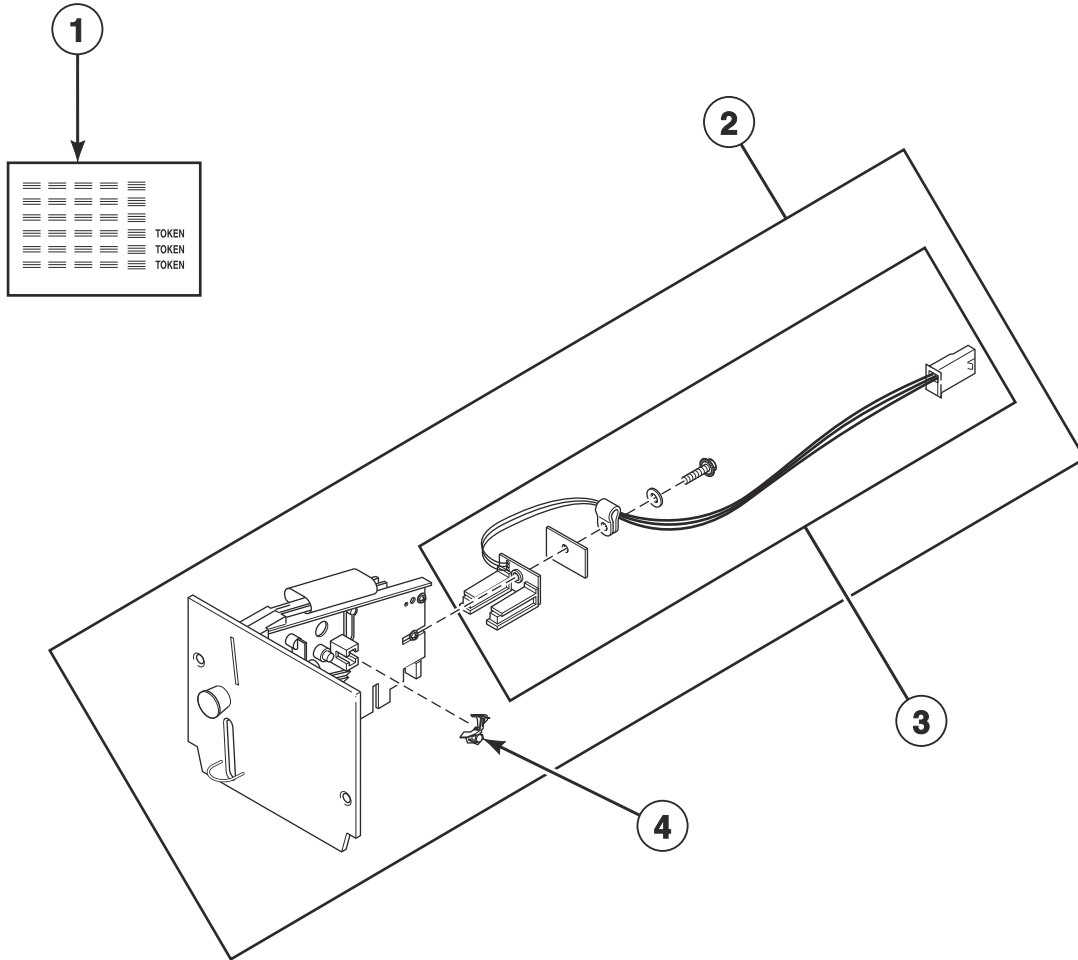
TMB3509P\_70591301

## 3.5 Inch Graphical Control

REF	PART NO.	DESCRIPTION	COMMENTS
	70596301	Wireless Network Kit	
	F8536002	Wireless Network Board Harness	
	F8617901	Harness	USB
	F8613201	FCC-IC Label	UT models
<b>1</b>	70307007	Harness Mounting Plate	
<b>2</b>	203532	Wireless Network Control Assembly	
<b>3</b>	M411072	Screw	
<b>4</b>	33562	Screw	2 required
<b>5</b>	203440	USB-Serial Interface Assembly	
<b>6</b>	70543104	Control Assembly	
<b>7</b>	203361P	Machine ID Control Assembly	Model or serial number is required when ordering
<b>8</b>	44071201	Nut	2 required
<b>9</b>	70547001	USB Bracket	
<b>10</b>	70570201	Control Door and Studs Assembly	
<b>11</b>	70519201	Overlay	
<b>12</b>	804608	Screw	4 required

# Coin Drops

All Models Except U Models



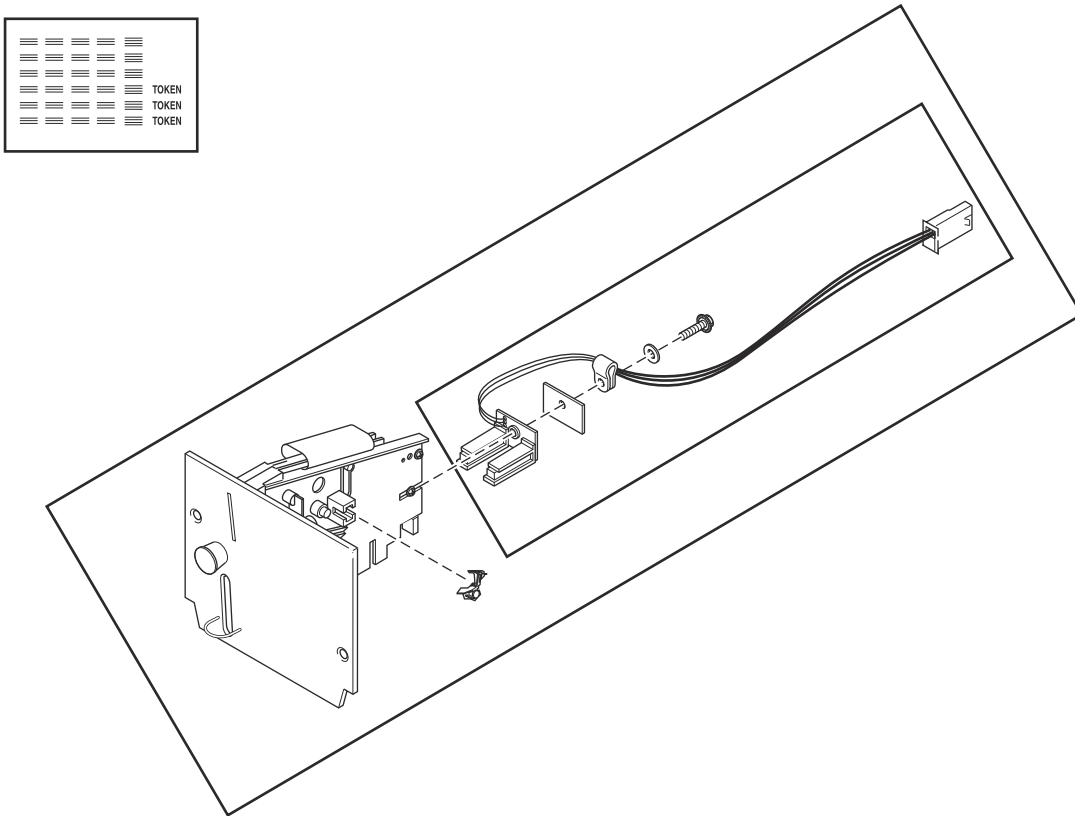
TMB3510P\_70591301

# Coin Drops

REF	PART NO.	DESCRIPTION	COMMENTS
1	38725	Coin Identification Paper	
2	70441601P	Coin Drop	Single; U.S.A.; \$.25
	38475	Coin Drop Assembly	Single; Japan; 100 yen
	38464P	Coin Drop Assembly	Single; Canada; .25
	CK077	Coin Drop Kit	Single; Taiwan; 10 NT
	70506901	Coin Drop Assembly	Single; Singapore; \$1.00 NEW
	70441603	Coin Drop	Dual; U.S.A.; \$.25 and \$1.00
	38519	Coin Drop Assembly	Dual; Japan; 100 yen and 500 yen
	70441602	Coin Drop Assembly	Dual; Canada; .25 and 1.00
	38467	Coin Drop Assembly	Dual; Australia; \$0.20 and \$1.00
	70447301	Coin Drop Assembly	Dual; Australia; \$1.00 and \$2.00
	70283102	Coin Drop Assembly	Dual; 0.20 and 0.50 Euro
	210195	Coin Drop Assembly	Dual; 0.20 and 1.00 Euro
	210196	Coin Drop Assembly	Dual; 0.50 and 1.00 Euro
	F0160737-00	Coin Meter	Dual; 0.50 and 2.00 Euro
	70281102	Coin Drop Assembly	Dual; Taiwan; 10 and 50 NT
	70482401	Coin Drop Assembly	Dual; New Zealand ; \$1.00 and \$2.00
	38462P	Coin Drop Assembly	Single; Token; STD 118-1
	38463	Coin Drop Assembly	Single; Token; STD 118-5
	38963P	Coin Drop	Single; Token STD 118-16
	39748	Coin Drop	Single; Jeton 08MS
	201141	Coin Drop Assembly	Single; Token; Jeton wh121
	70471601	Coin Drop Assembly	Single; Token; 7K
	70513302	Electronic Coin Drop Assembly	Euro and Great Britain coins
	70513310	Electronic Coin Drop Assembly	Japan and Thailand coins
	70513304	Electronic Coin Drop Assembly	Australia, New Zealand, Hong Kong and South Korea coins
	70513303	Electronic Coin Drop Assembly	Denmark, Norway and Euro coins
	70513306	Electronic Coin Drop Assembly	Mexico, Ecuador and U.S.A. coins
	70294107	Electronic Coin Drop Assembly	Lithuania, Latvia and Euro coins
	70513311	Electronic Coin Drop Assembly	China and Malaysia coins
	70513308	Electronic Coin Drop Assembly	South African 1, 2 and 5 rand coins
	70513309	Electronic Coin Drop Assembly	Euro coins
	70513312	Electronic Coin Drop Assembly	Russia coins
	70513313	Electronic Coin Drop Assembly	Phillipines coins
	70513314	Electronic Coin Drop Assembly	Thailand coins
	70513315	Electronic Coin Drop Assembly	Chile coins
	70513316	Electronic Coin Drop Assembly	Singapore coins
3	200674P	Opto Coupler	
4	201595P	Wire Guard	

# Coin Drop Kits

All Models Except U Models

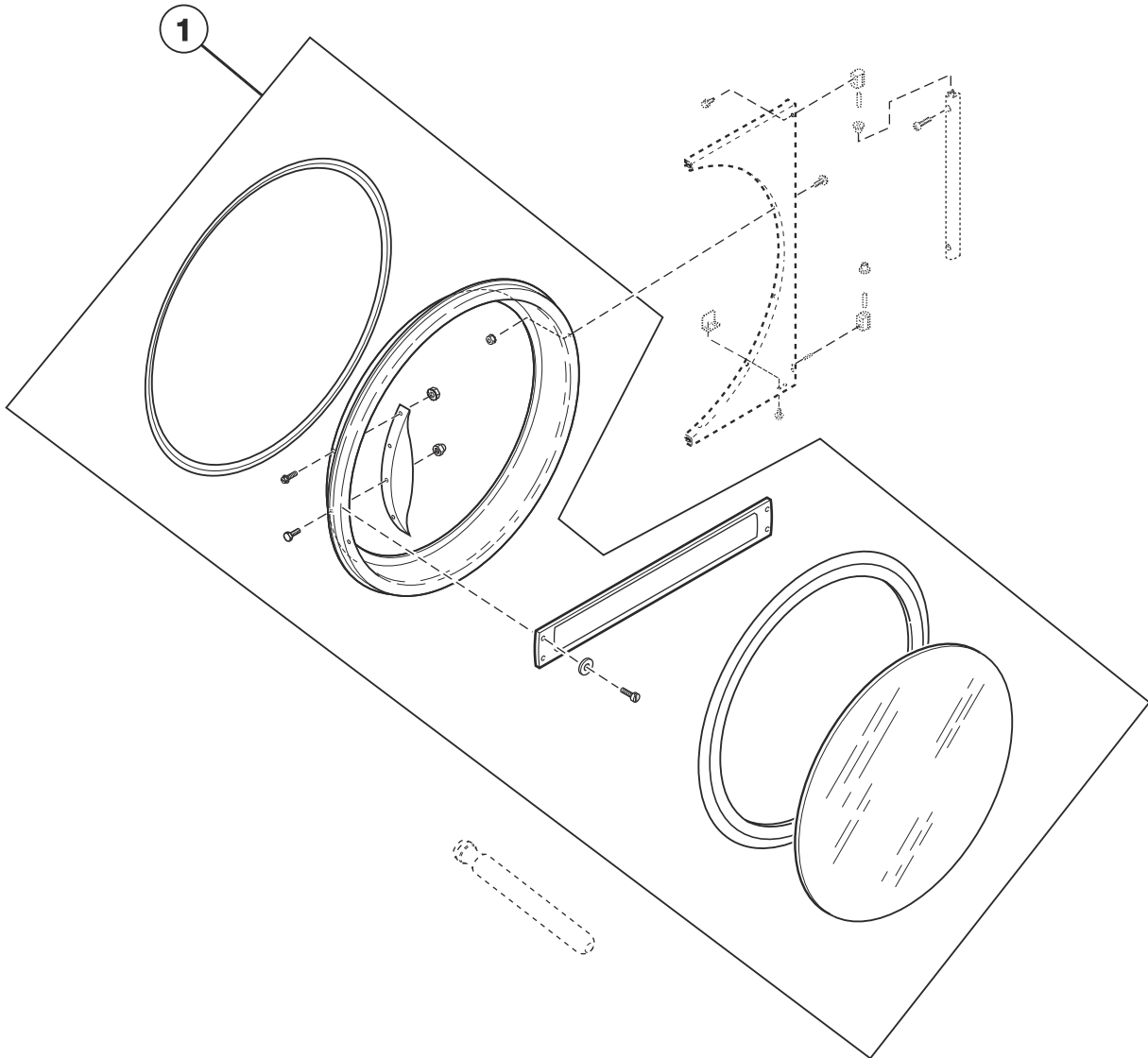


TMB3510PA\_70591301

## Coin Drop Kits

REF	PART NO.	DESCRIPTION	COMMENTS
	CK115	Electronic Coin Drop Kit	United States and Canada
	CK099	Electronic Coin Drop Kit	Australia (default), New Zealand, Hong Kong, South Korea and Malaysia
	CK100	Electronic Coin Drop Kit	United Kingdom (default) and Europe
	CK101	Electronic Coin Drop Kit	Europe (default), Denmark and Norway
	CK108	Electronic Coin Drop Kit	South Africa
	CK109	Electronic Coin Drop Kit	Euro
	CK110	Electronic Coin Drop Kit	Mexico (default), Ecuador and United States
	CK113	Electronic Coin Drop Kit	Japan and Taiwan
	CK116	Electronic Coin Drop Kit	Malaysia (default) and China
	CK117	Electronic Coin Drop Kit	Russia
	CK118	Electronic Coin Drop Kit	Philippine
	CK119	Electronic Coin Drop Kit	Thailand
	CK120	Electronic Coin Drop Kit	Chile
	CK121	Electronic Coin Drop Kit	Singapore
	CK122	Coin Drop Kit	New Zealand; 1.00 and 2.00

# Door Assemblies



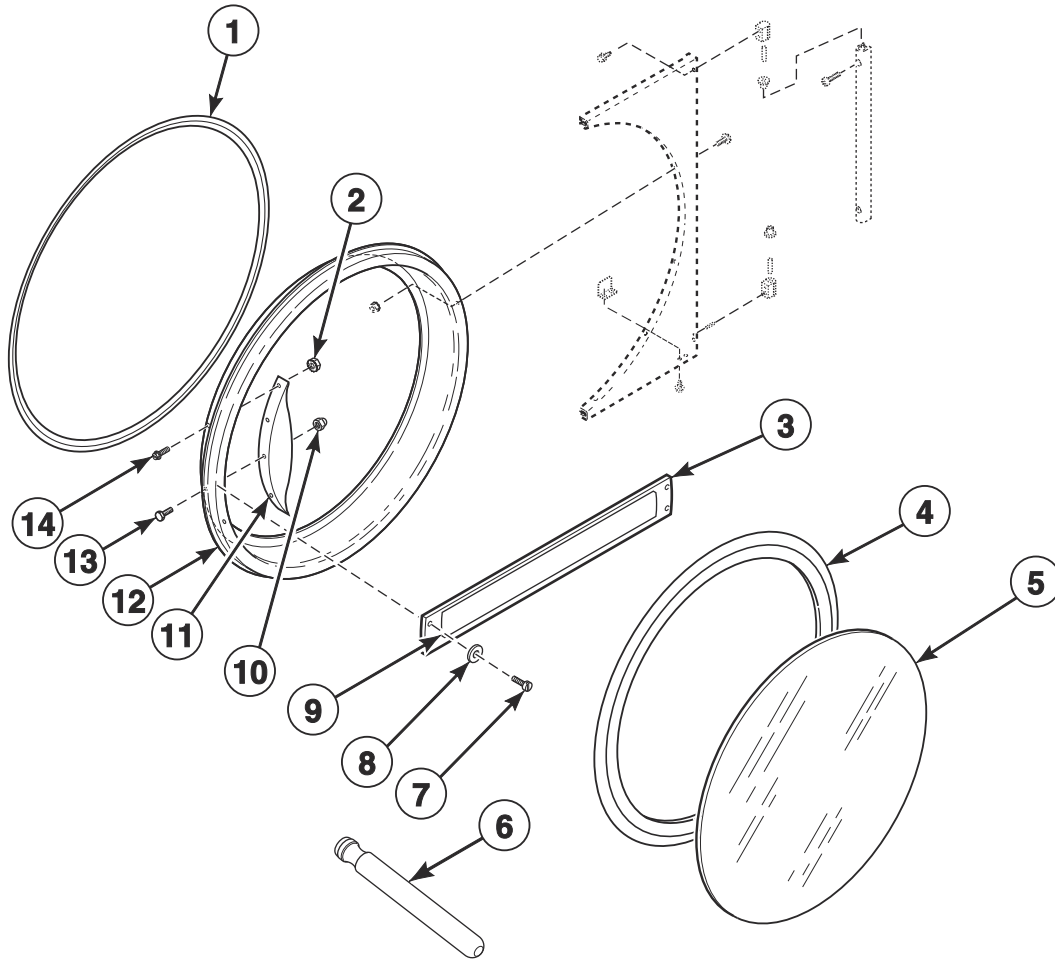
TMB3152P\_70591301



## Door Assemblies

REF	PART NO.	DESCRIPTION	COMMENTS
1	70496501	Door Assembly	U models; Stainless steel
	70212300	Door Assembly	M and S models; Stainless steel
	70212301	Door Assembly	B and N models
	44058005	Door Assembly	H models; Stainless steel
	44058007	Door Assembly	H models; Stainless steel with green trim
	44058008	Door Assembly	H models; Chrome with green trim
	44058006	Door Assembly	H models; Chrome
	70496502P	Door Assembly	U models; Chrome
	70212302	Door Assembly	M and S models; Chrome
	44287801LGP	Door Assembly	P models
	44287801B	Door Assembly	P models; Use with stainless steel front panel
	70408901	Door Assembly	G and K models; Includes handle

# Door Components

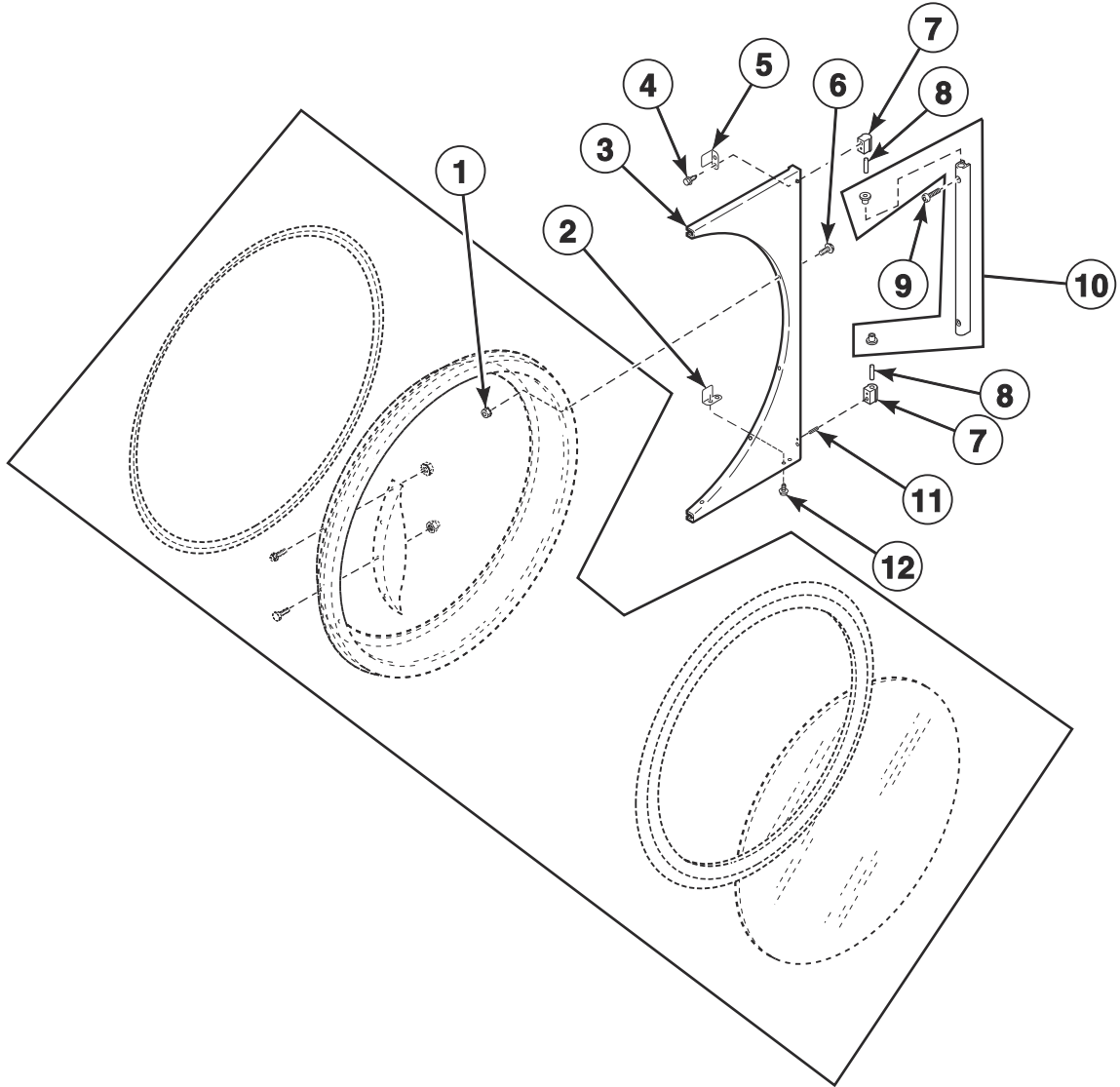


TMB3152PA\_70591301

## Door Components

REF	PART NO.	DESCRIPTION	COMMENTS
1	70296801	Door Ring Gasket	
2	44088001	Nut	B, H, M, N and S models; 4 required
3	70399502B	Handle Bar	G and K models
4	70211901P	Door Glass Seal Kit	Use Loctite 414 for seal
5	70133601P	Door Glass	H models
	70133602	Door Glass	H models; Green trim
	M400784P	Door Glass	All other models
6	M4221P4	Door Glass Installation Tool	
7	70412601	Pop Rivet	G and K models; Attaches door handle to door ring
8	70409301	Washer	G and K models
9	70414001	Label	G and K models; Coin
10	M414215	Nut	For door strike; Mounts between door strike screw and door handle
11	44007902P	Door Handle	B, M, N and S models
	44263801	Door Handle	U models; Use 901620 Screw, 800465 Washer, 803871 Screw and 44088001 Nut to attach
	70521101	Door Handle	H models
12	70543902	Door Ring Assembly	U models
	70543904B	Door Ring Assembly	B and N models
	70543905	Door Ring Assembly	H, M and S models; Chrome
	70543906	Door Ring Assembly	U models; Chrome
	70543907LG	Door Ring and Handle Assembly	P models; Includes handle
	70543907B	Door Ring and Handle Assembly	P models; Includes handle; Use with stainless steel and white front panel
	70543903B	Door Ring	G and K models
	70543901	Door Ring Assembly	H, M and S models; Stainless steel
13	M400661	Screw	Door Strike
14	70442101	Screw	B, H, M, N and S models; 4 required

# Hinge Components



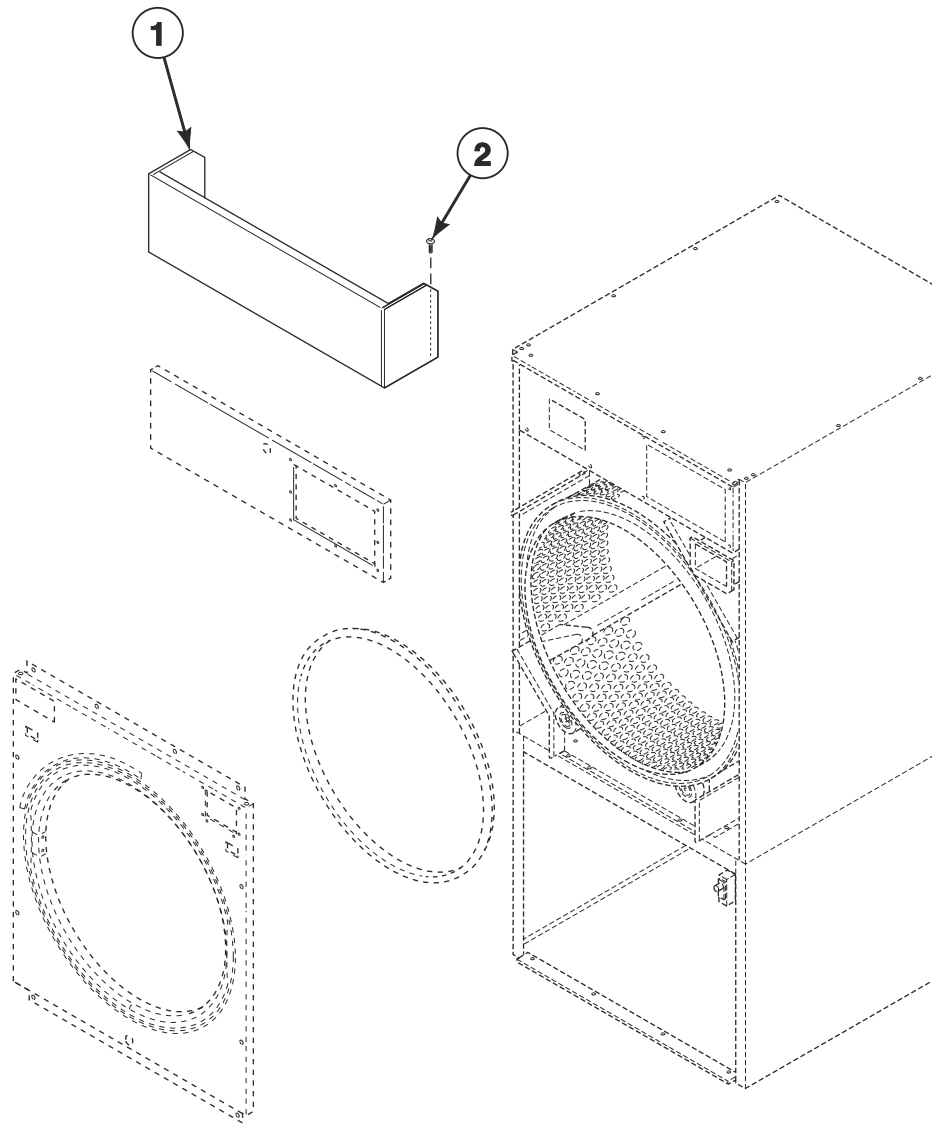
TMB3459P\_70591301

# Hinge Components

REF	PART NO.	DESCRIPTION	COMMENTS
1	44088001	Nut	
2	70532101	Door Switch Actuator	Bottom
3	70116003*	Door Hinge	H, M, N, S and U models
	70116006	Door Hinge	H, M, S and U models; Stainless steel
	70116005LG	Door Hinge	Light gray; P and U models
	70116005B	Door Hinge	Black; B, G, K and N models; P models with white and stainless steel front panel
4	70576101	Screw	
5	70532102	Door Switch Actuator	Top
6	M400044	Screw	
7	M4772P3	Cam and Hinge Kit	H, M, P, S and U models
	M4773P3	Cam and Hinge Kit	Black; B, G, K and N models; P models with white and stainless steel front panel
8	70071401	Pin	
9	70033502	Screw	H, M, P, S and U models
	70407301	Screw	Black; B, G, K and N models; P models with white and stainless steel front panel
10	44035001	Door Hinge Lug Assembly	H, M, P, S and U models
	44035002	Door Hinge Lug Assembly	Black; B, G, K and N models; P models with white and stainless steel front panel
11	70436301	Screw	
12	70058501	Pop Rivet	

\* Add Letter To Designate Color. Q - Bisque W - White

# False Fronts



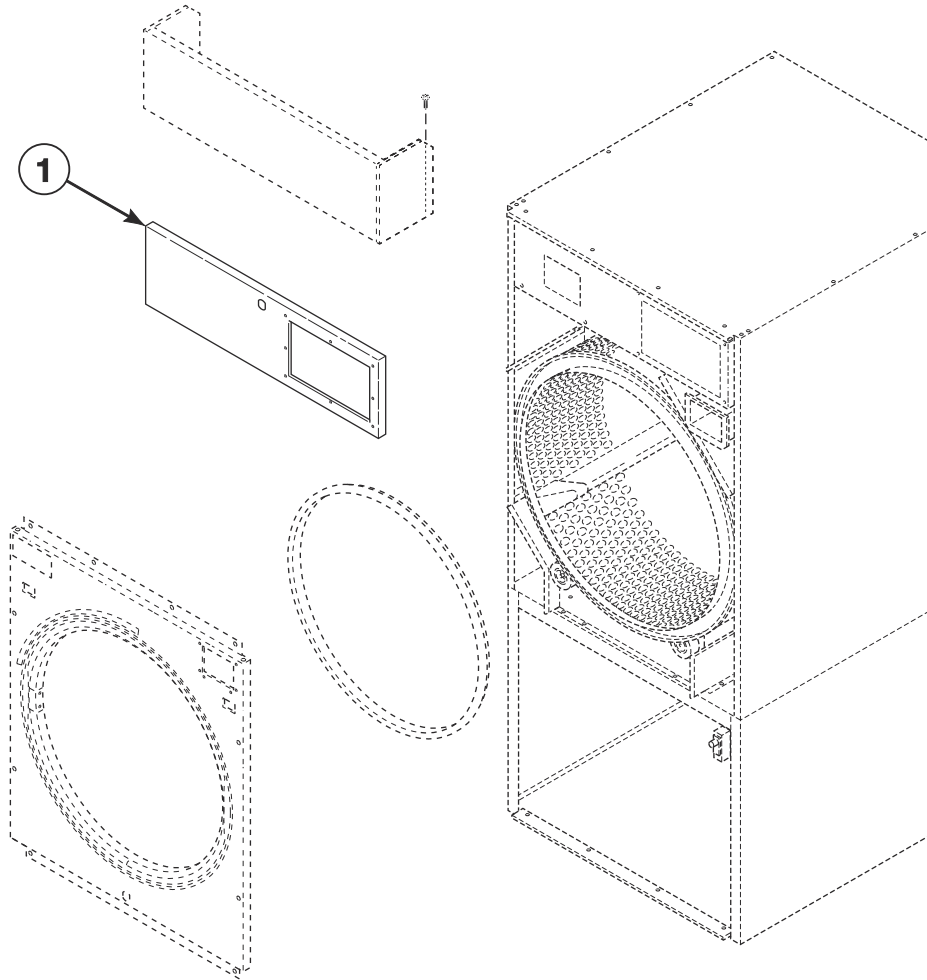
TMB3511P\_70591301

# False Fronts

REF	PART NO.	DESCRIPTION	COMMENTS
1	70000503DG	False Front	Dark gray; P models; 72 inches
	70000503LG	False Front	Light gray; U models; 72 inches
	70000501*P	False Front	All other models except P models; 72 inches
	70000504	False Front	72 inches; Stainless steel
	70024203DG	False Front	Dark gray; P models; 76 inches
	70024203LG	False Front	Light gray; U models; 76 inches
	70024201*P	False Front Assembly	All other models except P models; 76 inches
	70024204	False Front	76 inches; Stainless steel
2	M405188	Screw	4 required

\* Add Letter To Designate Color. Q - Bisque W - White

# Control Panels



TMB3511PA\_70591301

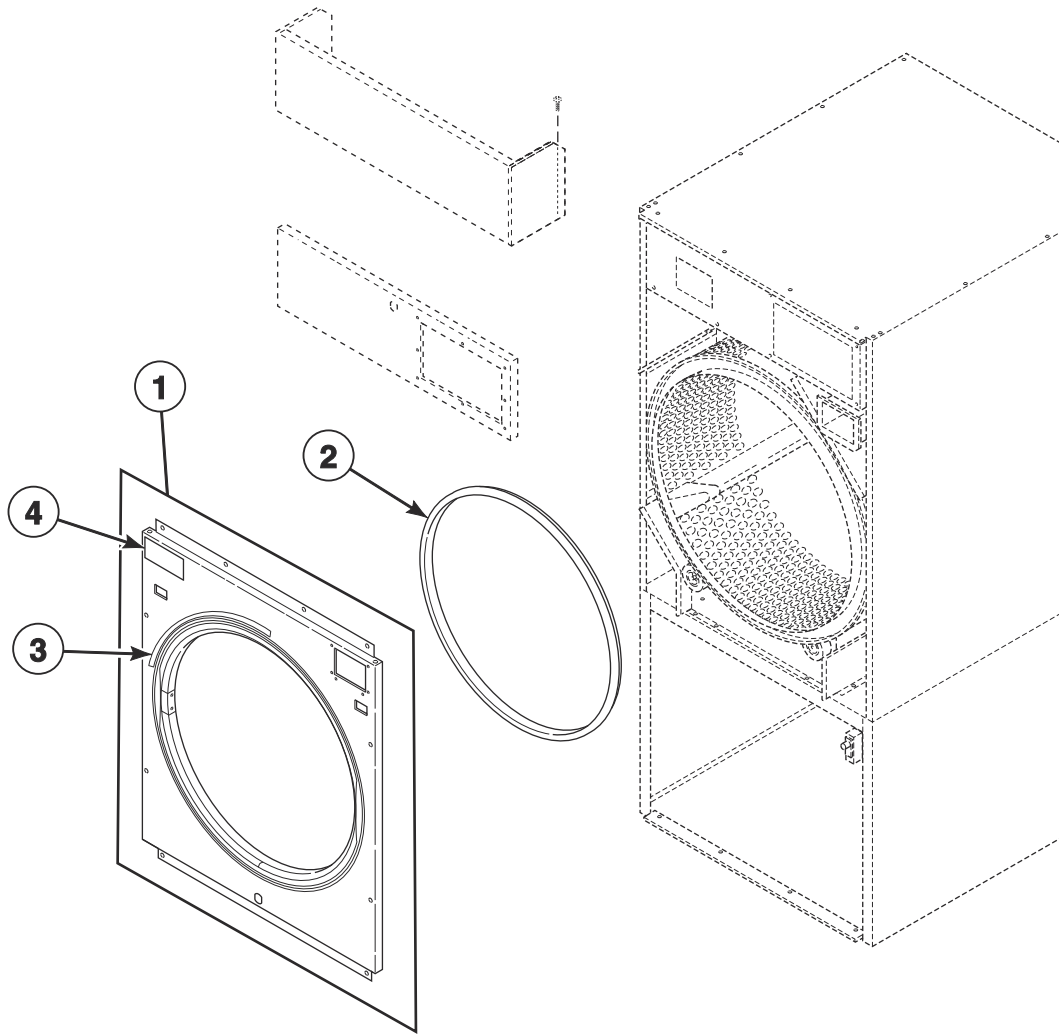


# Control Panels

REF	PART NO.	DESCRIPTION	COMMENTS
1	70273308B	Control Panel	B models
	70273305*	Control Panel	G, K and U models
	70273313	Control Panel	G, K and U models; Stainless steel
	70121501W	Control Panel	S models
	70121508	Control Panel	S models; Stainless steel
	70273315LG	Control Panel	U models; Light gray
	70121514DG	Control Panel	P models; Dark gray
	70121505*	Control Panel	H, M and N models
	70121509	Control Panel	H, M, N and P models; Stainless steel

\* Add Letter To Designate Color. Q - Bisque W - White

# Front Panel Assemblies



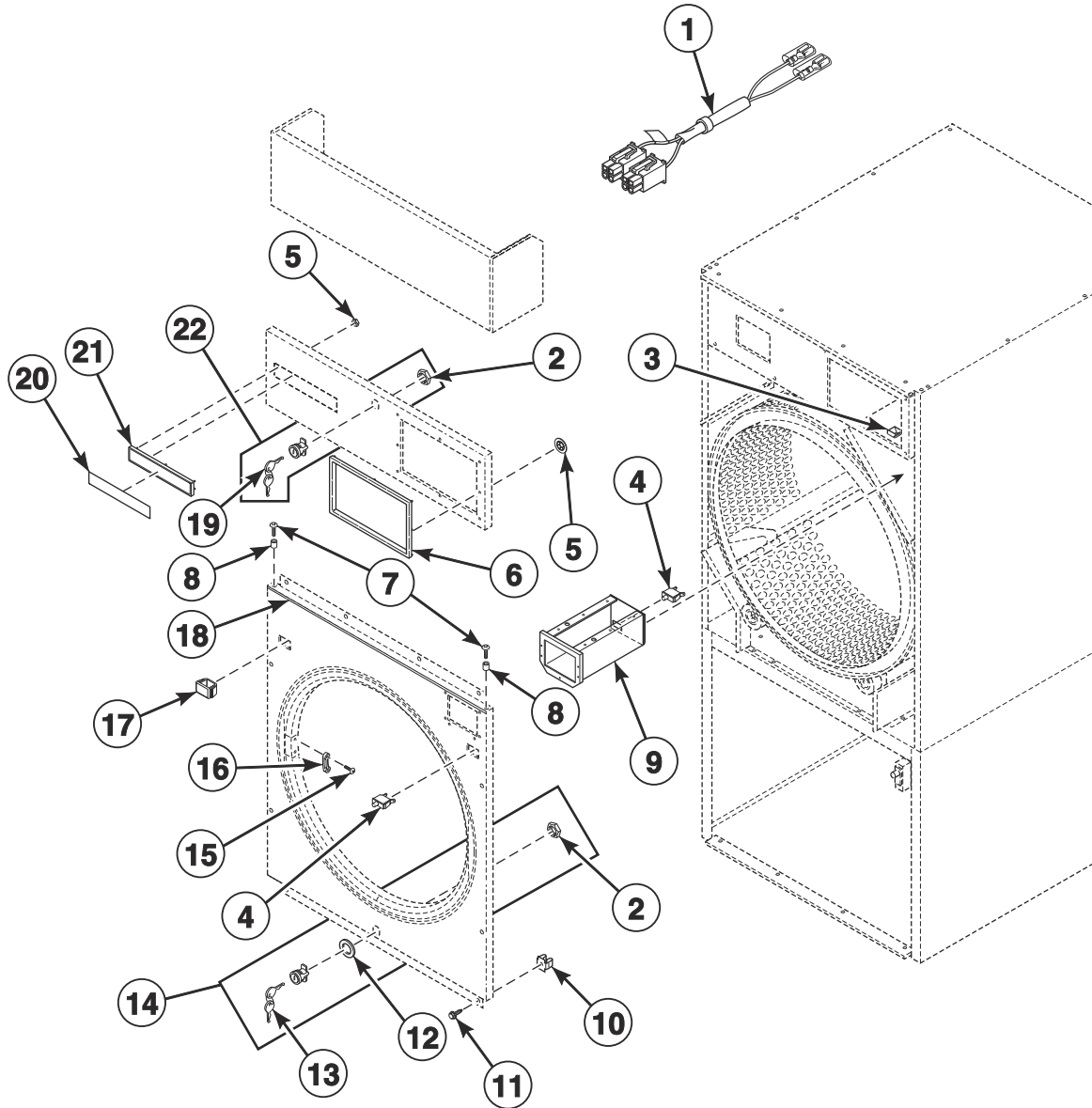
TMB3511PB\_70591301

# Front Panel Assemblies

REF	PART NO.	DESCRIPTION	COMMENTS
1	70524101*	Front Panel	All models except P and U models; Coin
	70524113*	Front Panel	S models; Coin; Hinged lint door
	70524117DG	Front Panel	P models; Coin; Dark gray
	70524102	Front Panel	All models except P and U models; Coin; Stainless steel
	70524114	Front Panel	S models; Coin; Hinged lint door; Stainless steel
	70524103*	Front Panel	All models except P and U models; Card and central pay
	70524105*	Front Panel	S models; Card; Hinged lint door
	70524118DG	Front Panel	P models; Card and central pay; Dark gray
	70524104	Front Panel	All models except P and U models; Card and central pay; Stainless steel
	70524106	Front Panel	S models; Card; Hinged lint door; Stainless steel
	70524126*	Front Panel	All models except P models; OPL
	70524128DG	Front Panel	P models; OPL; Dark gray
	70524128LG	Front Panel	U models; OPL; Light gray
	70524127	Front Panel	All models except P models; OPL; Stainless steel
	2	70173401P	Front Panel Seal
3	70534301	Warning Label	English
	70534302	Warning Label	French
	70534300	Label Kit	Warning; IEC models
4	70537001	Label	B, H, M, N, S and U models; C.A.R.E.
	70537101	Label	G and K models; F.S.S.
	44190901	Label	P models; Safe Tech

\* Add Letter To Designate Color. Q - Bisque W - White

# Cabinet Front Components

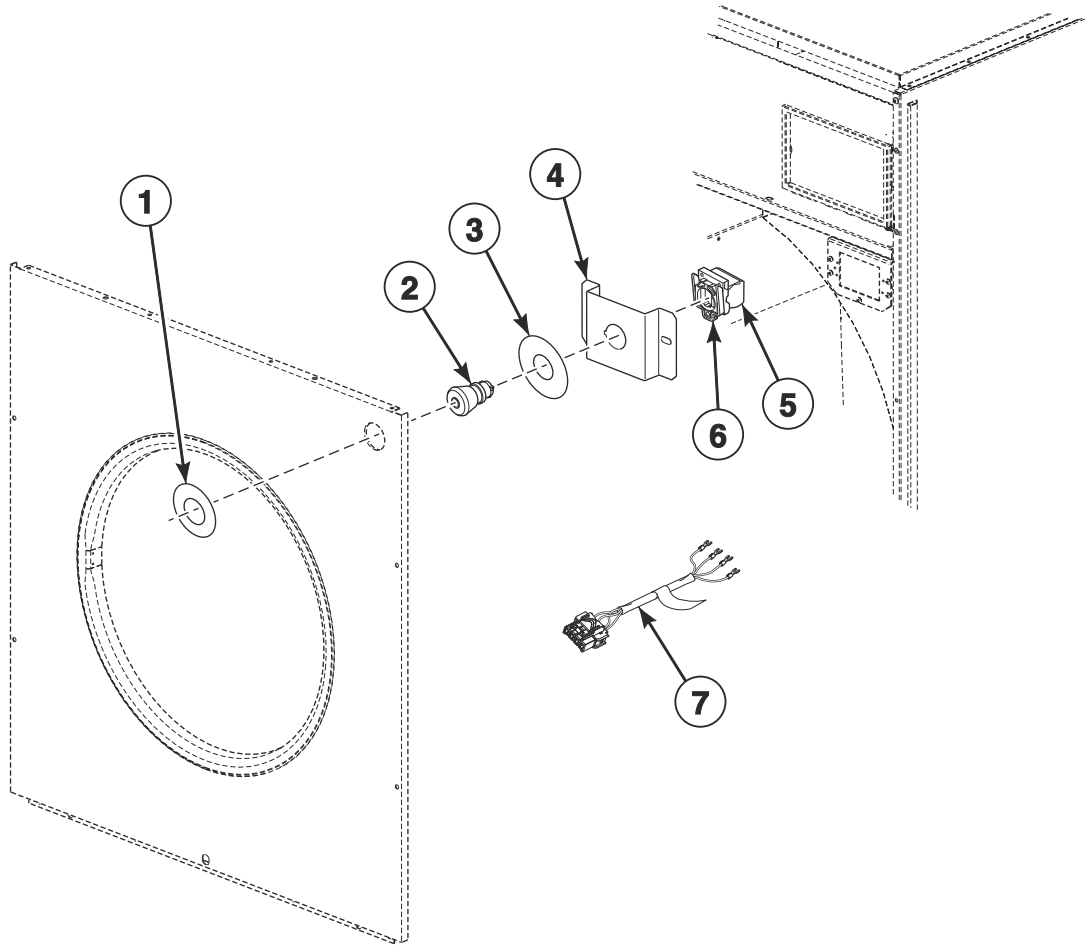


TMB3512P\_70591301

## Cabinet Front Components

REF	PART NO.	DESCRIPTION	COMMENTS
	44334103	Bypass Harness	Card and central pay
	D511476	Jumper Harness	Card reader present
<b>1</b>	44334101	Coin Vault Switch Harness	
<b>2</b>	44088801	Nut	
<b>3</b>	70296401	Coin Chute Assembly	
<b>4</b>	70413301	Pushbutton Switch	
<b>5</b>	M400977	Nut	S models; 6 required
<b>6</b>	70529401	Control Trim	H models; Gray
	44016401	Control Trim	K, M, N, P and S models; Black
<b>7</b>	39733	Screw	
<b>8</b>	56079	Panel Locator	9 required
<b>9</b>	70529501	Coin Vault Assembly	
	70529502	Coin Vault and Emergency Stop Mount Assembly	Models with emergency stop
	F160673P	Coin Box	Optional equipment; Includes lock and key
<b>10</b>	70030501	Expansion Clip	8 required
<b>11</b>	M411072	Screw	8 required
<b>12</b>	70342401	Lock Shim	
<b>13</b>	70155602	Key	RL002
<b>14</b>	44089302P	Lock, Key and Nut Kit	RL002
	44089305	Panel Lock	RL002; Chrome
<b>15</b>	44166601	Pop Rivet	
<b>16</b>	M401223	Door Latch	
<b>17</b>	44057801W	Switch Hole Plug	White
	44057801Q	Switch Hole Plug	Bisque
	44057801LG	Switch Hole Plug	Gray; U models
	44057801B	Switch Hole Plug	Black
<b>18</b>	70399405	Access Panel Trim	G and K models
	70399411	Access Panel Trim	G and K models; Coin
<b>19</b>	70155601	Key	RL001
<b>20</b>	70115601	Nameplate Overlay	S models
	F8443105	Nameplate	U models
	B12389801	Nameplate	B models
	70411401	Nameplate Overlay	G models; Coin
	70410201	Nameplate Overlay	G models; OPL
	44144401	Nameplate Overlay	K models; Coin
	44130101	Nameplate Overlay	K models; OPL
	567887	Nameplate	P models
<b>21</b>	70117401	Nameplate Bezel	S models
<b>22</b>	44089301P	Lock, Key and Nut Kit	RL001
	44089304	Panel Lock	RL001; Chrome

# Emergency Stop Button

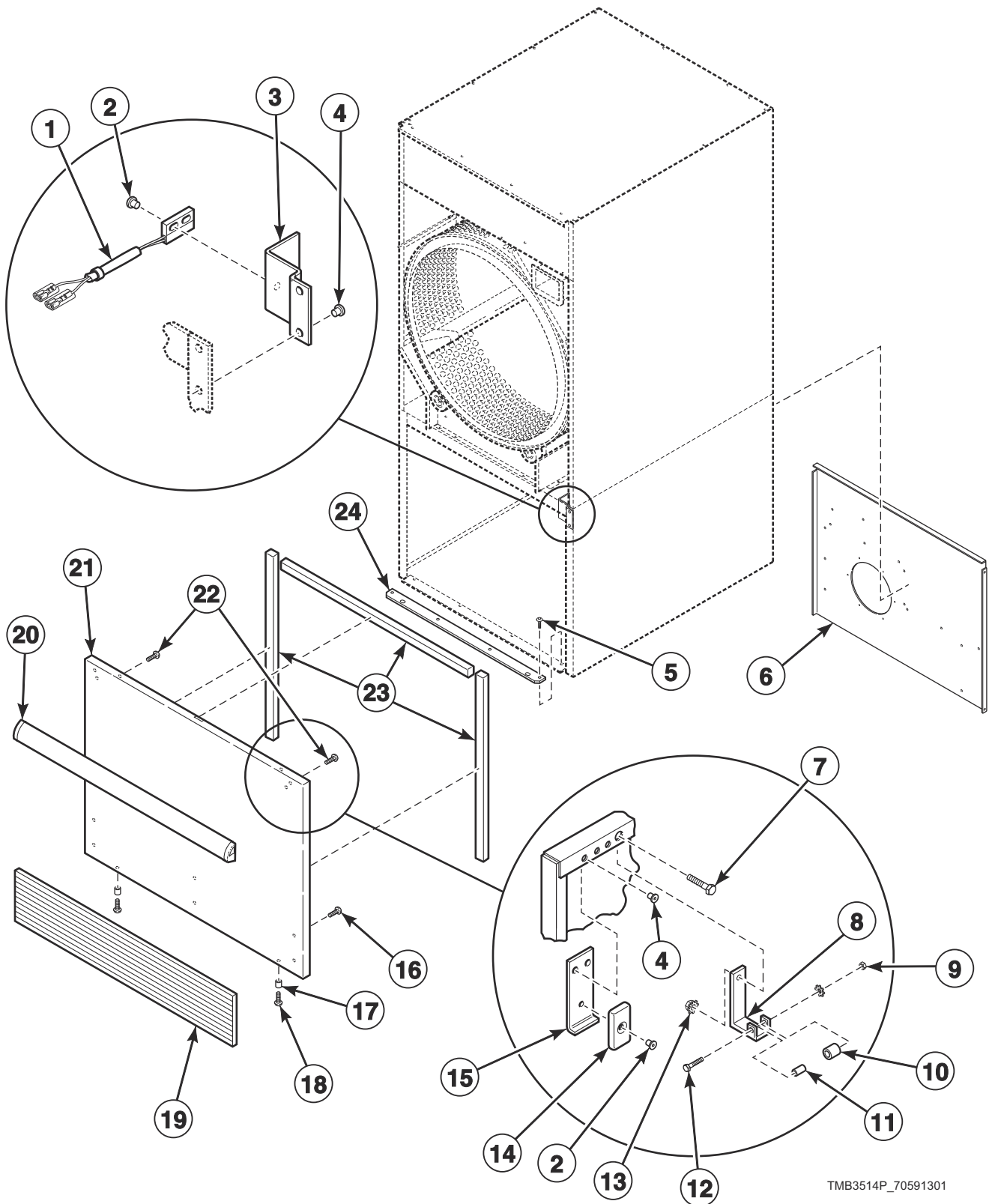


TMB3513P\_70591301

# Emergency Stop Button

REF	PART NO.	DESCRIPTION	COMMENTS
	70580301	Emergency Stop Button Kit	Includes items 2-4
	F8519403	Emergency Stop Bypass Harness	Coin, card and central pay
1	44012903	Emergency Stop Label	
2	F200233500	Emergency Stop Pushbutton	
3	44012901	Emergency Stop Label	
4	70550401	Emergency Stop Mounting Bracket	
5	F8069501	Contact Switch	2 required
6	F8538101	Contact Base	
7	44272401	Emergency Stop Harness	

# Lower Cabinet Components



TMB3514P\_70591301

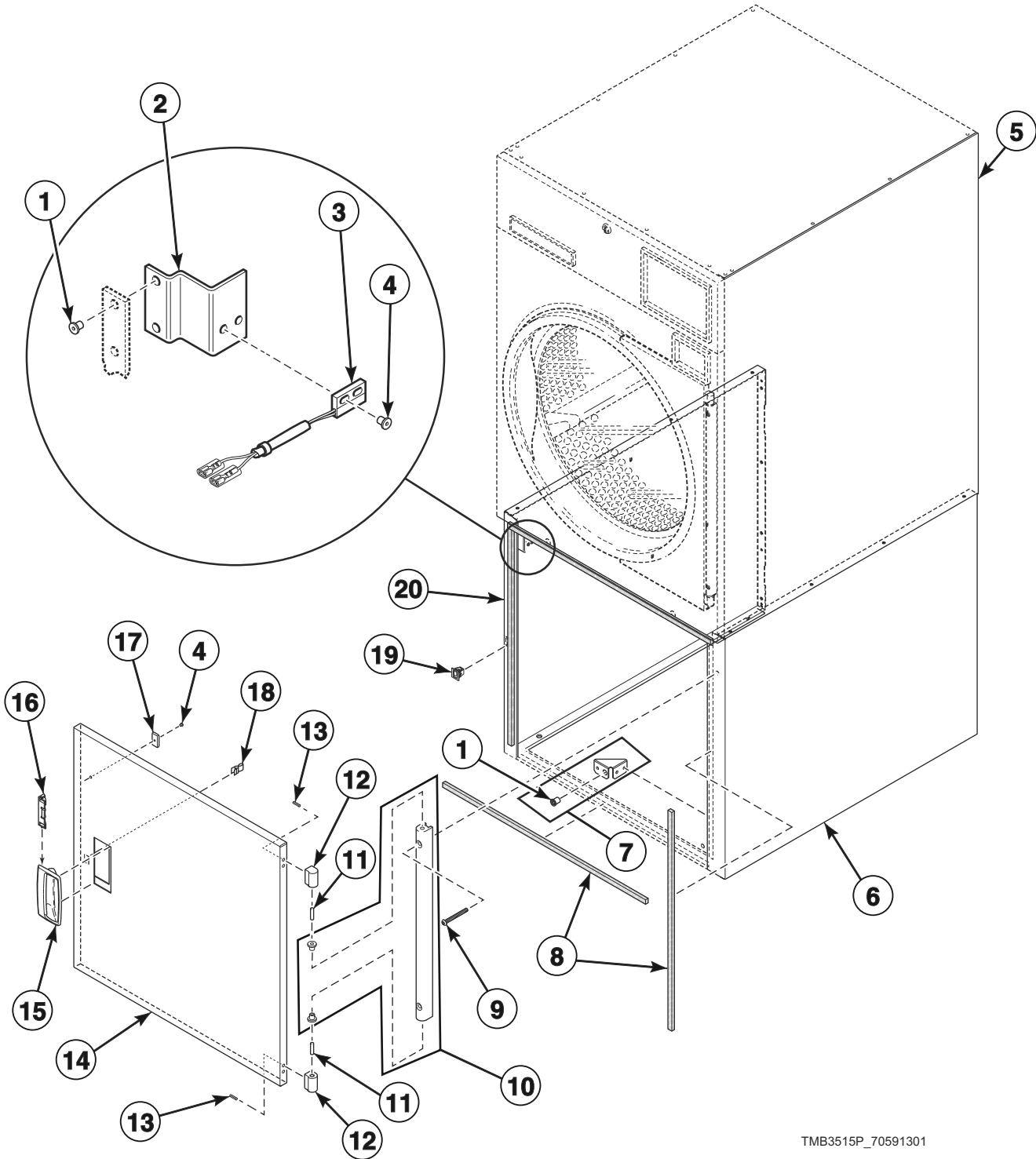


# Lower Cabinet Components

REF	PART NO.	DESCRIPTION	COMMENTS
1	F8066804	Reed Switch Assembly	
2	F8245101	Blind Rivet	
3	70508501	Switch Bracket	
4	70058501	Pop Rivet	
5	430497	Screw	
6	70565301	Rear Lint Panel	
7	70132301	Screw	Attaching roller catch
8	70030301	Roller Catch Arm	
9	23951	Nut	
10	70297601	Roller Catch Wheel	
11	70030201	Roller Catch Spacer	
12	70072801	Screw	
13	51236	Nut	Attaching roller catch
14	70343101	Magnet	
15	44290501	Magnet Bracket	
16	70126301	Pop Rivet	For attaching kickplate; Black; 6 required
	70126401	Pop Rivet	For attaching kickplate; Gray; 6 required
17	56079	Panel Locator	
18	39733	Screw	
19	70117616	Kickplate	H and U models; Dark gray
	70117601	Kickplate	All other models except H models; Black
20	70154401	Handle and Caps Assembly	B, M, N, S and U models; P models; Black
	70407207	Handle Bumper	P models; Silver
	70154413	Handle and Caps Assembly	H and U models; Dark gray
	70407205	Handle Bumper	G and K models
21	70515401*	Lint Panel	All models except P models
	70515403LG	Lint Panel	U models; Light gray
	70515404DG	Lint Panel	P models; Dark gray
	70515402	Lint Panel	All models except B and P models; Stainless steel
	70515405	Lint Panel	B and P models; Stainless steel; No kickplate
22	430757	Screw	For attaching handle; 6 required
23	70289101P	Lint Panel Gasket	Sold per foot
24	70017901	Lint Panel Pivot Plate	

\* Add Letter To Designate Color. Q - Bisque W - White

# Lower Cabinet Components - S Models with Hinged Lint Door



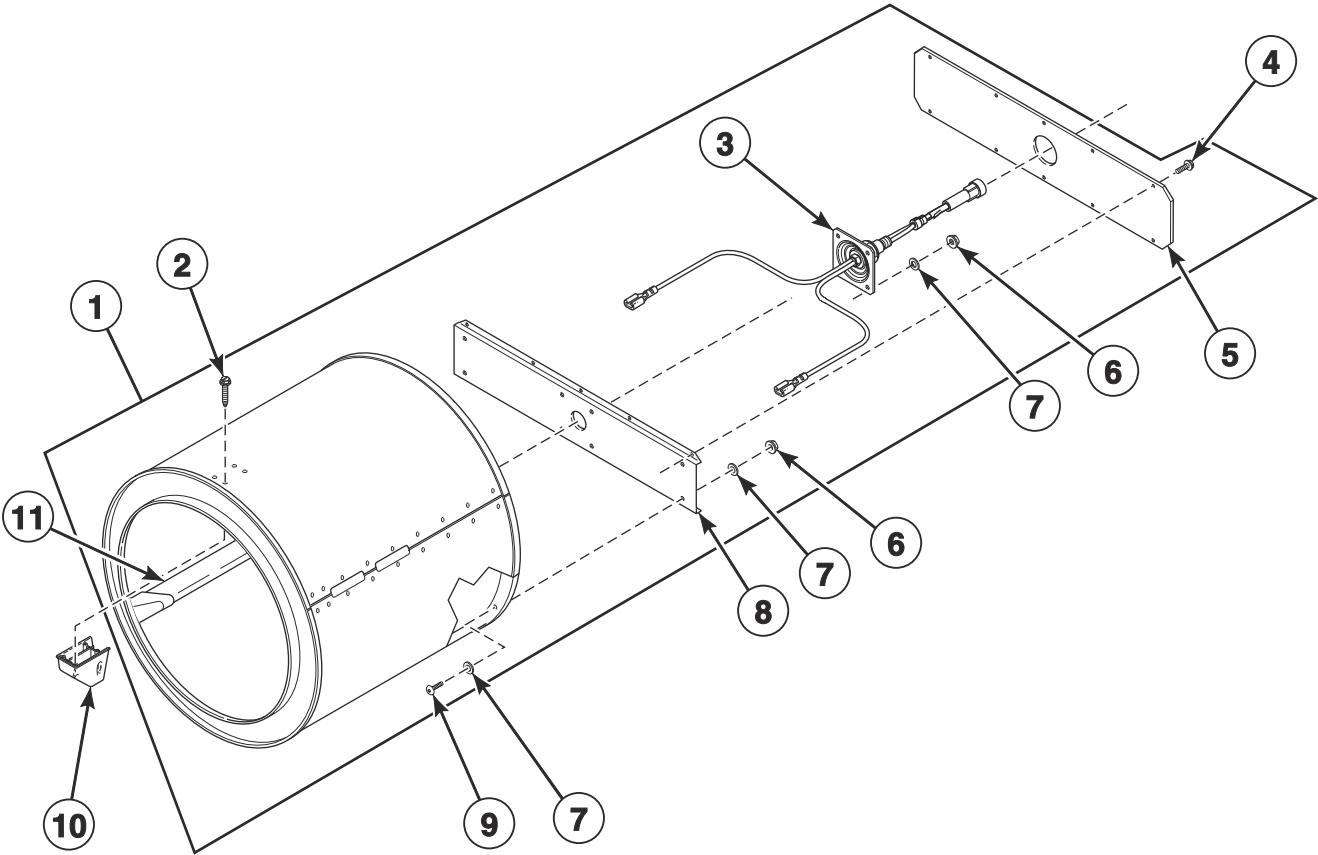
TMB3515P\_70591301

## Lower Cabinet Components - S Models with Hinged Lint Door

REF	PART NO.	DESCRIPTION	COMMENTS
1	70058501	Pop Rivet	
2	70508501	Switch Bracket	
3	F8066804	Reed Switch Assembly	
4	F8245101	Blind Rivet	
5	70021502*P	Side Panel	Upper
6	70553301*	Panel	Right; Lower
7	70283801	Support Bracket Assembly	2 required
8	70247601	Gasket	8 required; Felt
9	70033502	Screw	2 required
10	44035001	Door Hinge Lug Assembly	
11	70071401	Pin	2 required
12	M4772P3	Cam and Hinge Kit	2 required
13	70442101	Screw	4 required
14	70267703	Hinged Door	Stainless steel
	70267701*P	Hinged Door	
15	D510103*P	Door Pull and Wedge Kit	
	D511213P	Door Pull and Wedge Kit	Black
16	D510129W	Door Handle Wedge	
17	70343101	Magnet	
18	D510181	Door Strike	
19	D510177	Door Catch Assembly	
20	70553401*	Panel	Left; Lower

\* Add Letter To Designate Color. Q - Bisque W - White

# Cylinder and Trunnion Assembly

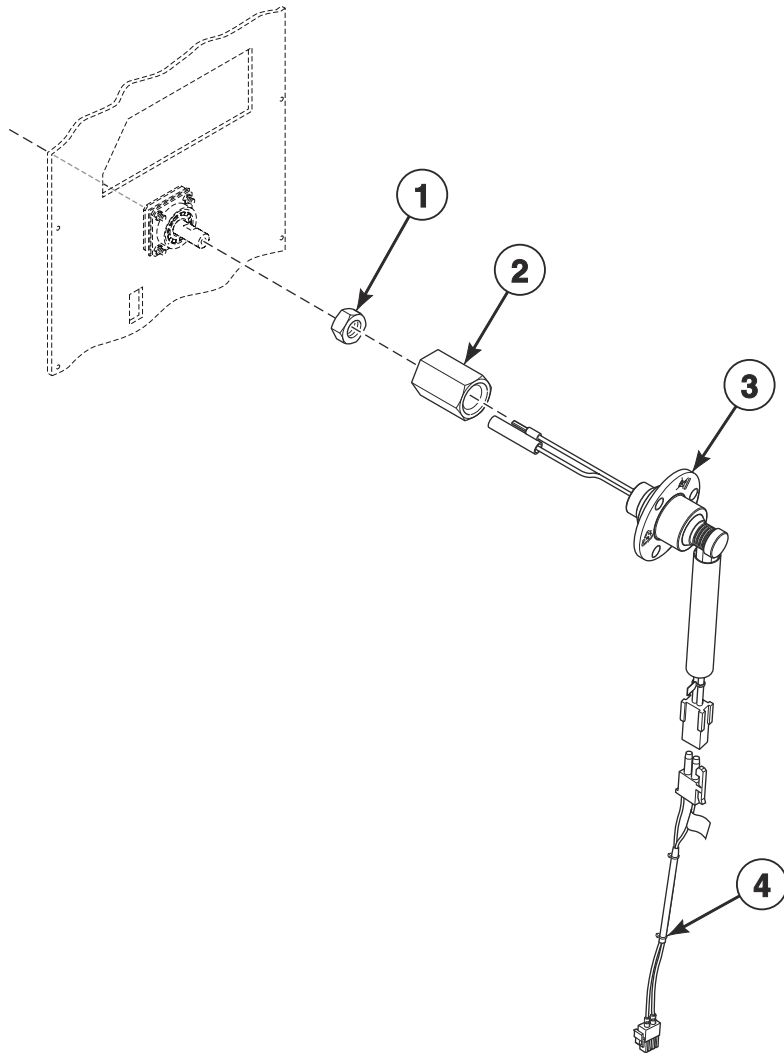


TMB3358P\_70591301

## Cylinder and Trunnion Assembly

REF	PART NO.	DESCRIPTION	COMMENTS
	70343101P	Drywall Screw Magnet Kit	
1	70372703	Cylinder Assembly	G and K models; Non-moisture sensing
	70443803	Cylinder and Trunnion Assembly	G and K models; Moisture sensing
	70372701P	Cylinder Assembly	All other models; Galvanized; Non-moisture sensing
	70443801	Cylinder and Trunnion Assembly	All other models; Galvanized; Moisture sensing
	70372702P	Cylinder Assembly	All other models; Stainless steel; Non-moisture sensing
	70443802	Cylinder and Trunnion Assembly	All other models; Stainless steel; Moisture sensing
2	62588	Screw	12 required
3	70564801	Trunnion and Seal Kit	Includes 70013702 Rear Cylinder Seal; Non-moisture sensing
	70564802	Trunnion and Seal Kit	Moisture sensing; Includes 70454601 Trunnion and Wire Assembly
4	430497	Screw	10 required
5	70257401	Rear Cylinder Channel Plate	
6	44087201	Nut	8 required
7	70411301	Washer	
8	70257301	Rear Cylinder Channel	Non-moisture sensing
	70257302	Rear Cylinder Channel	Moisture sensing
9	70391101	Screw	8 required
10	70070101	End Cap	Non-moisture sensing
	70070102	End Cap	Moisture sensing
11	70327101	Cylinder Rib Assembly	Non-moisture sensing
	70433001	Cylinder Rib Assembly	Moisture sensing

# Moisture Sensing Components



TMB3147P\_70591301

# Moisture Sensing Components

REF	PART NO.	DESCRIPTION	COMMENTS
1	M400022	Nut	
2	70455401	Slip Ring Holder	
3	44222701	Slip Ring Assembly	
4	44333903	Moisture Sensor Harness	

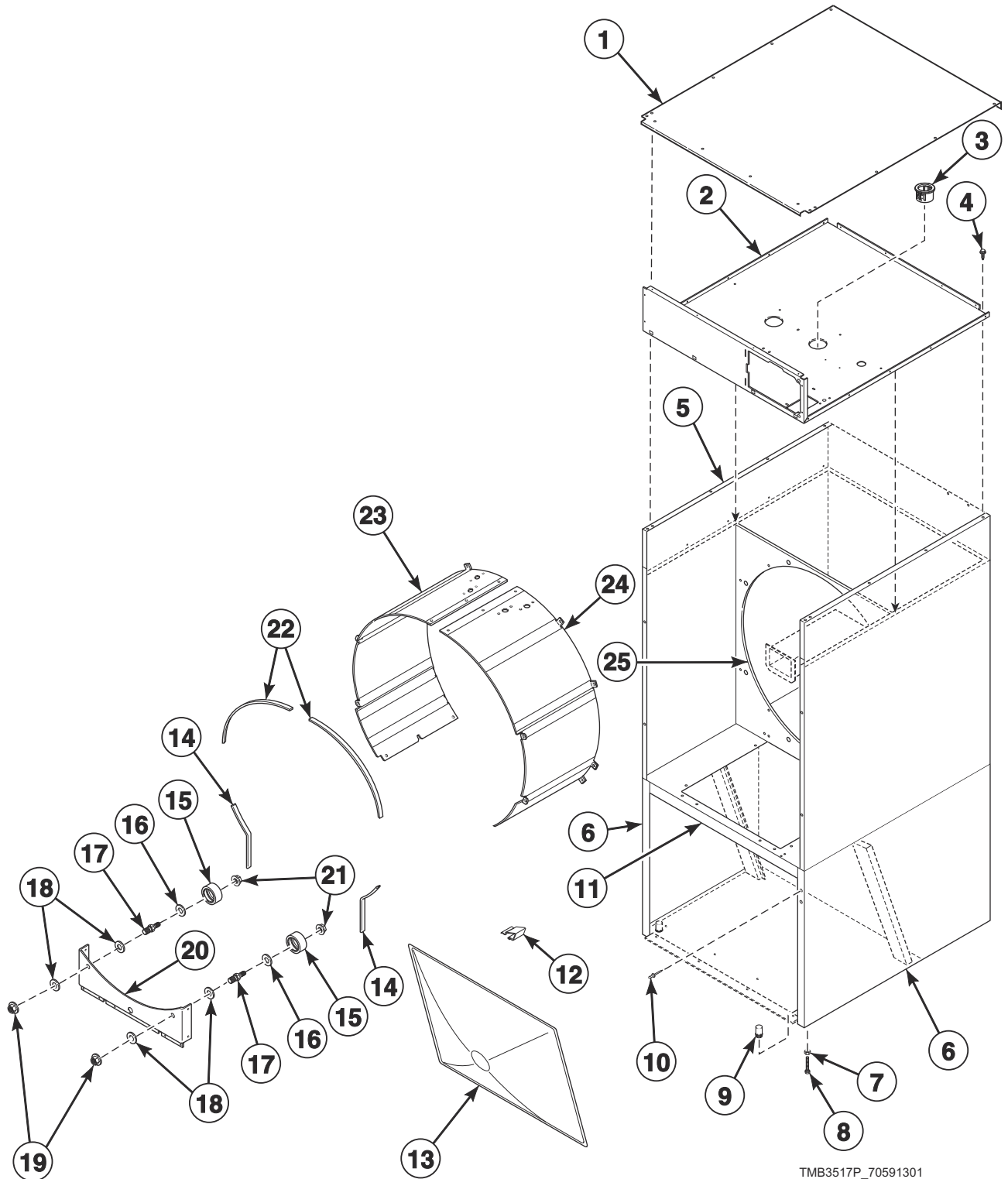




# Cylinder Components

REF	PART NO.	DESCRIPTION	COMMENTS
	70343101P	Drywall Screw Magnet Kit	
	430260P	Support Housing Bearing Assembly	Includes items 3, 4 and Loctite
<b>1</b>	70564901	Rear Panel	Gas models
	70564903	Rear Panel	Gas models; With fire suppression
	70564902	Rear Panel	Electric and steam models
	70564904	Rear Panel	Steam models; With fire suppression
<b>2</b>	70355001	Rear Bearing Shim	
<b>3</b>	70448701	Support Bearing	
<b>4</b>	70013901	Rear Cylinder Bearing Housing	
<b>5</b>	M400991	Washer	
<b>6</b>	M400034	Nut	
<b>7</b>	M400022	Nut	
<b>8</b>	M412986	Nut	4 required
<b>9</b>	70506401	Rear Cylinder Seal Support	
<b>10</b>	70013702	Rear Cylinder Seal	Use with D511637P Adhesive
<b>11</b>	430352	Cylinder Bearing Stud Plate Assembly	
<b>12</b>	263P4	Cylinder Guide Tool	
<b>13</b>	70066004	Center Cylinder Seal Assembly	

# Cabinet Components



TMB3517P\_70591301

# Cabinet Components

REF	PART NO.	DESCRIPTION	COMMENTS
	M4379P4	Tumbler Dolly Kit	
	298P4P	Spray Paint	White
	381P4	Spray Paint	Bisque
	122P4P	Porcelain Touch-Up Paint	White
	370P4P	Porcelain Touch-Up Paint	Bisque
<b>1</b>	70557501	Top Panel	
<b>2</b>	70555201	Top Pan	
<b>3</b>	70346501	Bushing	
<b>4</b>	430497	Screw	
<b>5</b>	70021502DG	Side Panel	Dark gray; P models; Upper
	70021502LG	Side Panel	Light gray; U models; Upper
	70021502*P	Side Panel	All models except P models; Upper
<b>6</b>	70253801DG	Side Panel	Dark gray; P models; Lower
	70253801LG	Side Panel	Light gray; U models; Lower
	70253801*P	Side Panel	All models except P models; Lower
<b>7</b>	21899	Nut	
<b>8</b>	70247701	Screw	
<b>9</b>	70063201	Hole Plug	
<b>10</b>	70058501	Pop Rivet	16 required; Upper side panel
<b>11</b>	70565201	Center Pan	
<b>12</b>	35865	Hold-Down Clip	
<b>13</b>	70325601	Lint Screen	
<b>14</b>	70015709	Sheet Metal Edge Gasket	Lower
<b>15</b>	70568201	Roller and Seal Kit	
<b>16</b>	70443601	Roller Seal	
<b>17</b>	70249501	Roller Shaft	
<b>18</b>	70261401	Washer	
<b>19</b>	M404993	Nut	
<b>20</b>	70328301	Roller Support Bracket	
<b>21</b>	430576	Nut	
<b>22</b>	70015710	Sheet Metal Edge Gasket	Upper
<b>23</b>	70432303	Cylinder Shroud	Left; With fire suppression
	70347202	Cylinder Shroud	Left
<b>24</b>	70432304	Cylinder Shroud	Right; With fire suppression
	70347201	Cylinder Shroud	Right
<b>25</b>	70252601	Center Partition	

\* Add Letter To Designate Color. Q - Bisque W - White

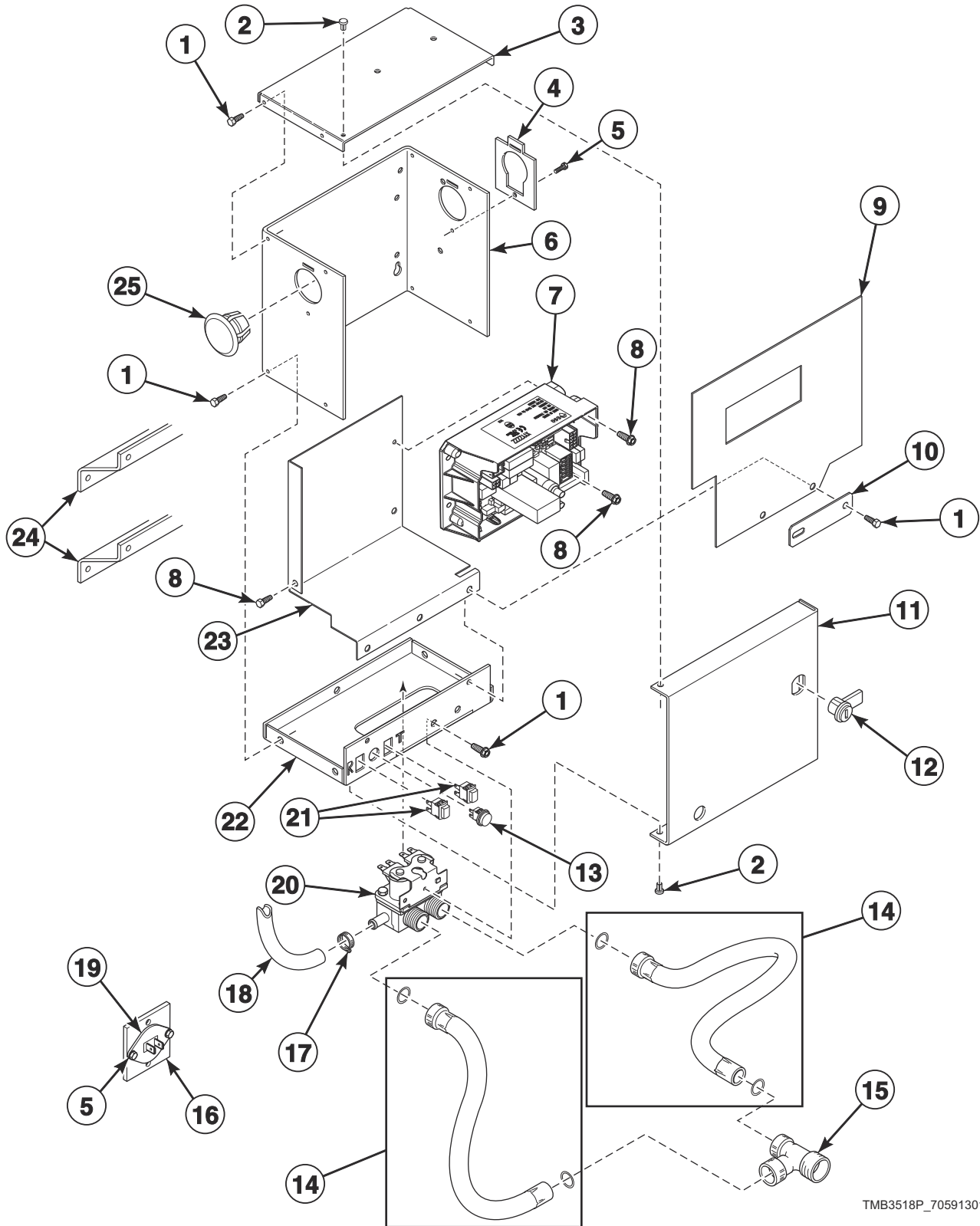


## Fire Suppression System Components

REF	PART NO.	DESCRIPTION	COMMENTS
1	70427901	Union Tee	
2	70178701	Snap Bushing	
3	70523301	Harness Adapter Plate	
4	51780	Screw	4 required
5	70427701	Spray Nozzle Hose	2 required
6	70427601	Tube Assembly	
7	430497	Screw	12 required
8	70424201	Nozzle Bracket	2 required
9	70424401	Thermistor Plate	2 required
10	44064701	Thermistor	2 required
11	70427801	Spray Nozzle	2 required
12	70428101	Elbow	2 required
13	70428601	Nozzle Bracket	2 required

# Fire Suppression System Control Box

B, G, H, K, P, S, and U Gas and Steam Models

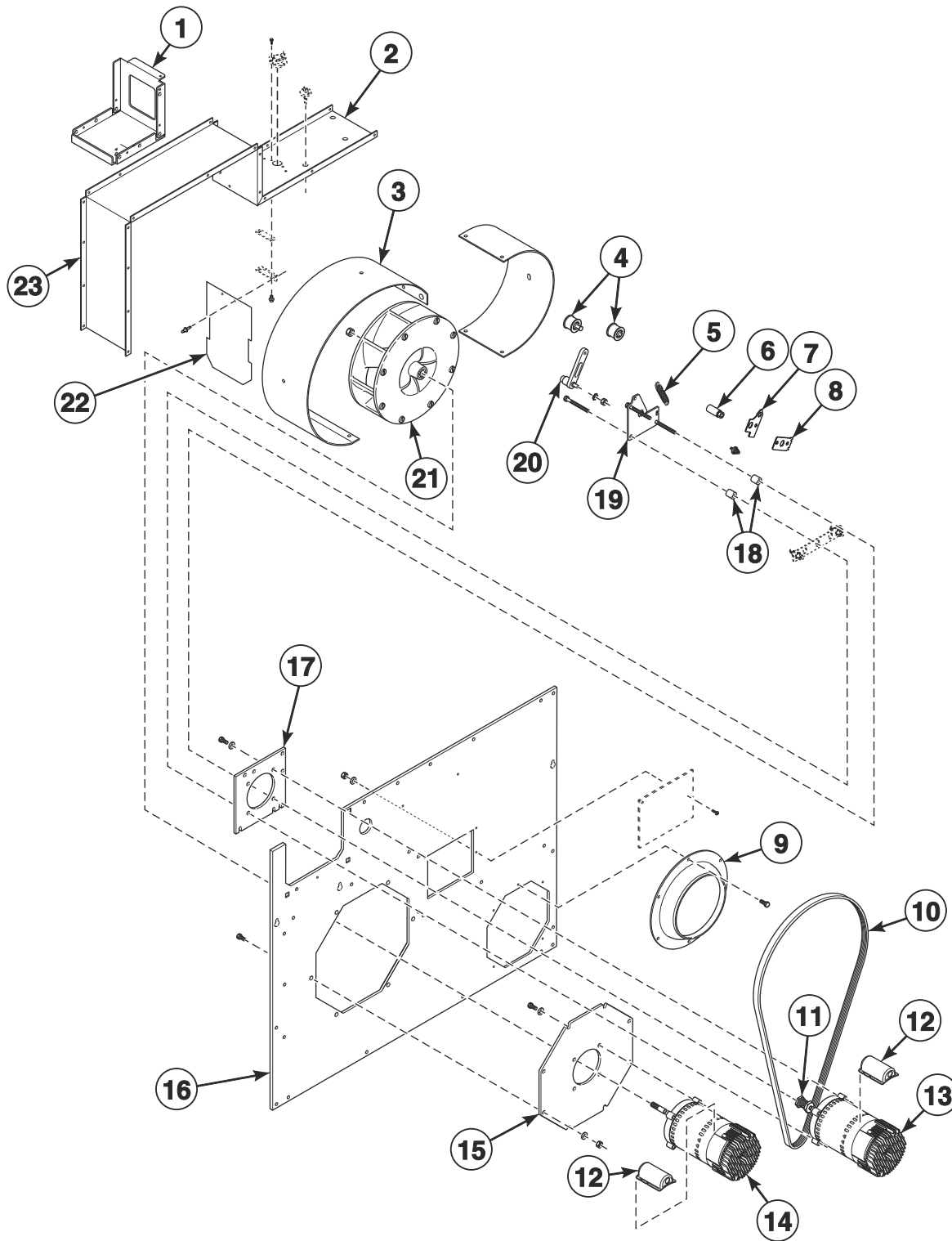


TMB3518P\_70591301

# Fire Suppression System Control Box

REF	PART NO.	DESCRIPTION	COMMENTS
	44340301	Cold Weather Kit	
	70155601	Key	RL001; Use with item 12
	44334404	Control Harness	
	44334405	Water Valve Harness	
	44334402	Power Sensor Harness	
	44324501	Warning Label	F.S.S.; CSA models
	44324500	Label Kit	F.S.S.; IEC models
	F8614401	Shock Warning Label	CSA models
	F8614201	Shock Warning Label	IEC models
	44318200	Label Kit	IEC models
	44324502	Warning Label	
	44318201	Label	CSA models
<b>1</b>	430497	Screw	
<b>2</b>	M400713	Drive Rivet	
<b>3</b>	44307101	Control Box Top	
<b>4</b>	70523301	Harness Adapter Plate	
<b>5</b>	51780	Screw	
<b>6</b>	44306701	Control Box Housing	
<b>7</b>	70511601	Control	
<b>8</b>	804608	Screw	
<b>9</b>	44326801	Shield	
<b>10</b>	70551701	Filter Mounting Plate	
<b>11</b>	44065201	Control Box Cover	
<b>12</b>	44089301P	Lock, Key and Nut Kit	RL001 key code; Optional if same key is to be used for control lock
<b>13</b>	801432	Light	
<b>14</b>	202799	Fill Hose	2 required
<b>15</b>	44069101	Hose Fitting	CSA models
<b>16</b>	70424401	Thermistor Plate	
<b>17</b>	36801	Hose Clamp	
<b>18</b>	44073304	Hose	14 inches; Outlet hose
<b>19</b>	44064701	Thermistor	
<b>20</b>	70519801	Mixing Valve	
<b>21</b>	801434W	Push-to-Start Switch	2 required
<b>22</b>	44065301	Control Box Base	
<b>23</b>	44306601	Mixing Valve Shield Bracket	
<b>24</b>	70601401	Mounting Bracket	
<b>25</b>	70180001	Plug	

# Motor Components



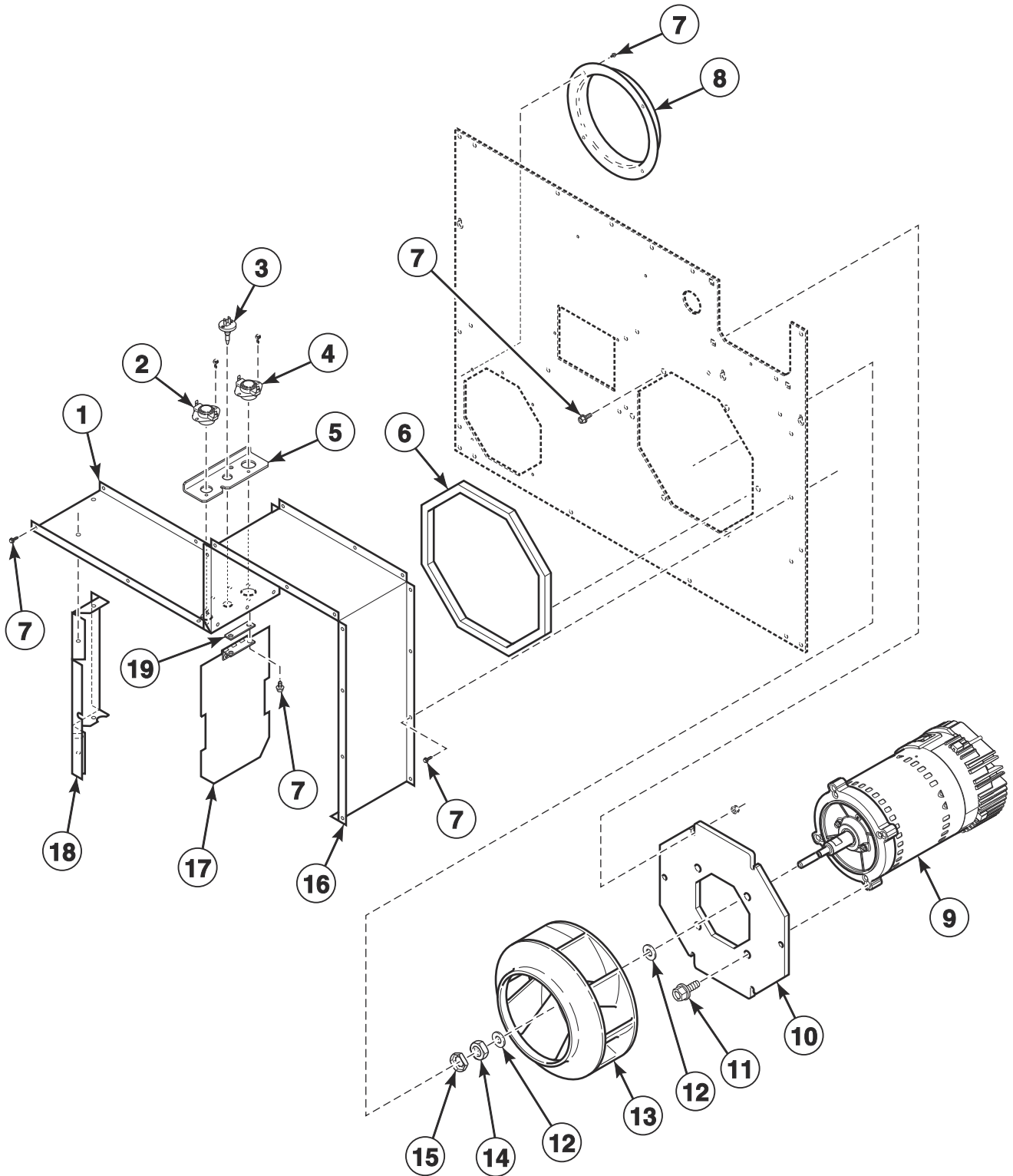
TMB3519P\_70591301



# Motor Components

REF	PART NO.	DESCRIPTION	COMMENTS
	44333202	Nut	Use with item 11
	70144101	Key	Use with idler shaft
	70554901	Limit Access Bracket	Use with idler shaft
	44335301	Inverter Motor Harness	Cylinder
	44335302	Inverter Motor Harness	Fan
<b>1</b>	70564101	Motor Mount Bracket	
<b>2</b>	70554701	Blower Housing	Top
<b>3</b>	70016301	Blower Housing Scroll	
<b>4</b>	70050401P	Idler Wheel Assembly	
<b>5</b>	70571801	Spring	
<b>6</b>	70569603	Standoff	
<b>7</b>	70569501	Tensioning Bracket	
<b>8</b>	70543401	Spring Catch Bracket	
<b>9</b>	70017801	Exhaust Thimble	
<b>10</b>	70276205P	Belt	
<b>11</b>	70559101	Motor Pulley	
<b>12</b>	70521901	Motor Conduit Mounting Bracket	
<b>13</b>	70478601	Drive Motor	.33 HP; 120, 230 Volt/1 Phase
	70485001	Drive Motor	.33 HP; 460 Volt/3 Phase
<b>14</b>	70478701	Fan Motor	.50 HP; 120, 230 Volt/1 Phase
	70484901	Fan Motor	.50 HP; 460 Volt/3 Phase
<b>15</b>	70349601	Blower Motor Mounting Plate	
<b>16</b>	70493301	Lower Rear Assembly	
<b>17</b>	70564201	Motor Mount Plate	
<b>18</b>	70488403	Spacer	
<b>19</b>	70571901	Drive Plate	
<b>20</b>	70543301	Pivot Arm Lever	
<b>21</b>	70359801P	Blower Assembly	
<b>22</b>	70209501	Damper and Hinge Exhaust Assembly	
<b>23</b>	70215101	Blower Housing	

# Blower and Exhaust Components

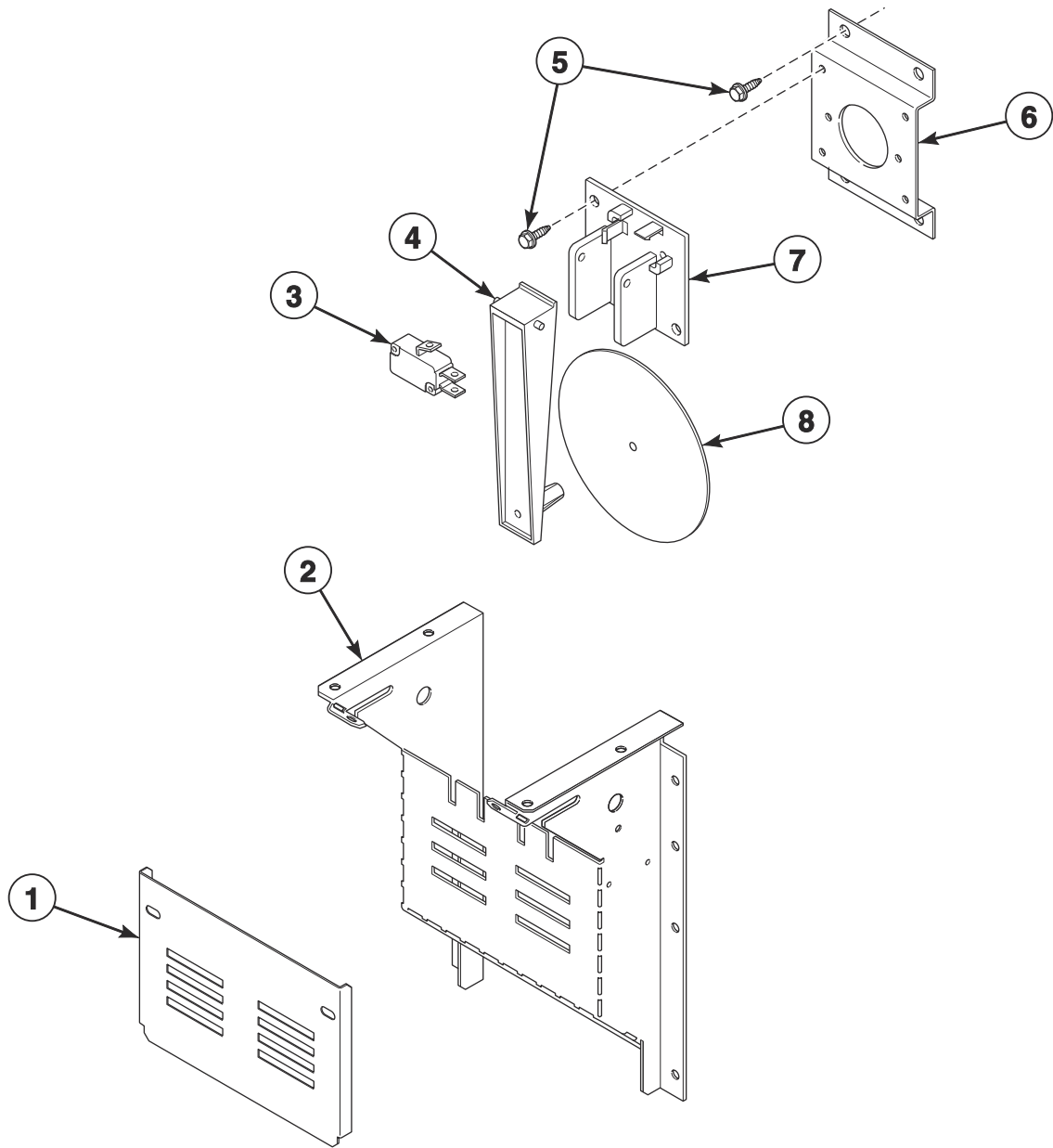


TMB3533P\_70591301

## Blower and Exhaust Components

REF	PART NO.	DESCRIPTION	COMMENTS
1	70554701	Blower Housing	Top
2	70530901	Limit Thermostat	
3	M414704	Thermistor	
4	44328001	Limit Thermostat	
5	70554901	Limit Access Bracket	
6	70392701P	Gasket	For blower housing opening
7	430497	Screw	
8	70014101	Blower Inlet Cone	
9	70478701	Fan Motor	.50 HP; 120, 230 Volt/1 Phase
	70484901	Fan Motor	.50 HP; 460 Volt/3 Phase
10	70349601	Blower Motor Mounting Plate	
11	70126101	Screw	
12	M400991	Washer	
13	70359801P	Blower Assembly	
14	M400022	Nut	
15	M400034	Nut	
16	70215101	Blower Housing	
17	70209501	Damper and Hinge Exhaust Assembly	
18	70020301	Blower Housing	Left
19	70220901	Damper Spacer	

# Airflow Switch

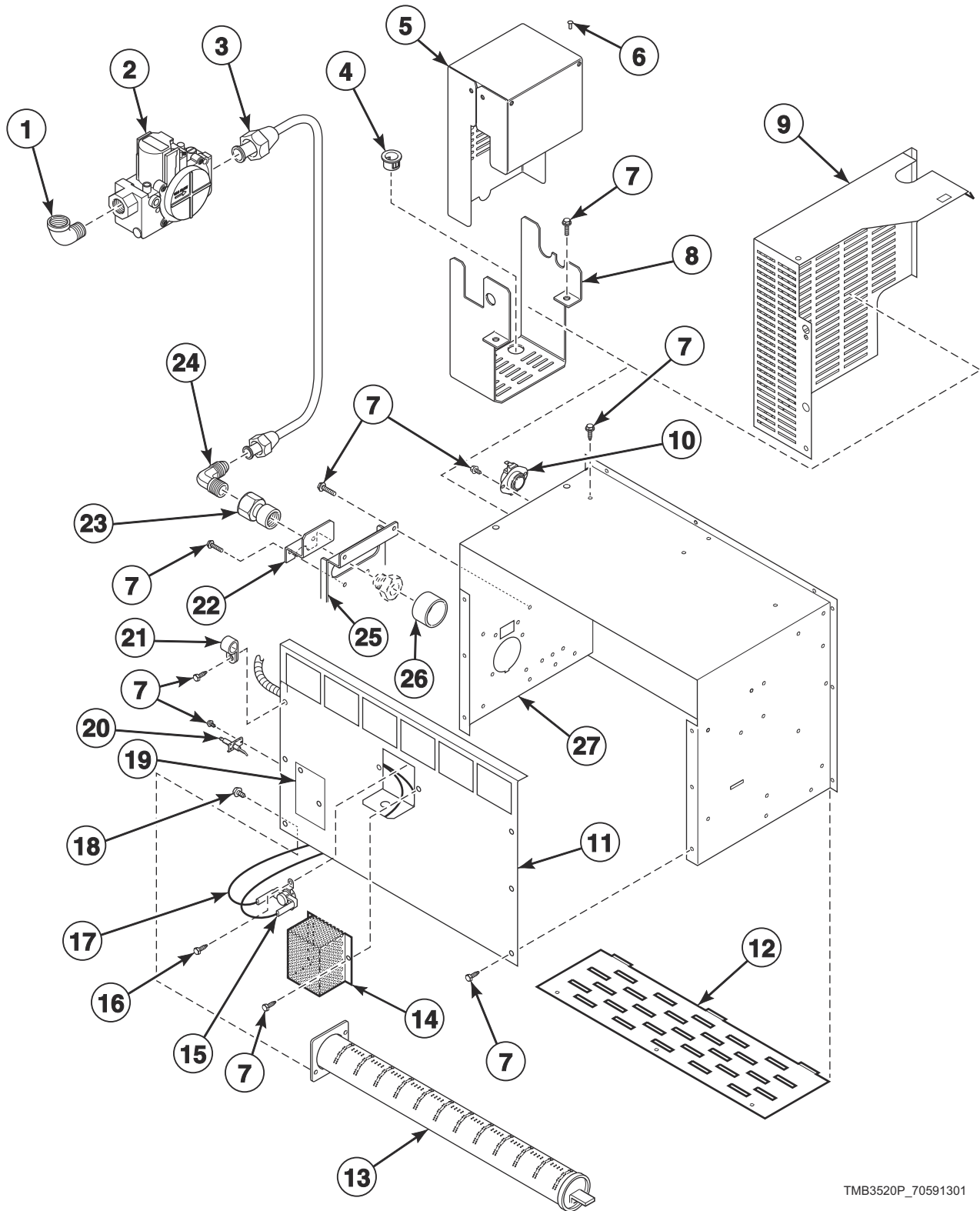


TMB3126P\_70591301

# Airflow Switch

REF	PART NO.	DESCRIPTION	COMMENTS
1	70356601	Airflow Switch Cover	Non-moisture sensing
	70465701	Airflow Switch Cover	Moisture sensing
2	70356101	Airflow Switch Wrapper	
3	70411901	Switch	
4	70319401	Airflow Switch Arm	
5	430497	Screw	
6	70356301	Switch Bracket	
7	70319601	Airflow Switch and Arm Bracket	
8	70319201	Airflow Switch Vane	

# Gas Heater Components



TMB3520P\_70591301

# Gas Heater Components

REF	PART NO.	DESCRIPTION	COMMENTS
	44273501	Gas Valve Harness	
	70346801	Pipe Plug	
	70550201	L.P. Conversion Kit	CSA models; Natural Gas (N.G.); 0-2,000 feet
	70551901	L.P. Conversion Kit	IEC models; N.G.; 0-2,000 feet
	70131901	Adapter	IEC models; BPT/NPT
	70167601	Plug	
	70535901	Notice Label	Australian models; N.G.
	70544901	Notice Label	Australian models; Liquid Petroleum (L.P.) Gas
<b>1</b>	H86070034	Street Elbow	
<b>2</b>	44154503	N.G. Valve	CSA models
	44154504	L.P. Valve	CSA models
	44154507	Gas Valve	IEC models; N.G.; 1/2 NPT
	44154508	Gas Valve	IEC models; L.P.; 1/2 NPT
<b>3</b>	70271201	Gas Line Assembly	
<b>4</b>	M400770	Snap Bushing	
<b>5</b>	70429901	Gas Valve Cover	
<b>6</b>	M405750	Pop Rivet	4 required
<b>7</b>	430497	Screw	10 required
<b>8</b>	70504101	Gas Valve Bracket	
<b>9</b>	70429901	Gas Valve Cover	IEC models
<b>10</b>	44328004	Limit Thermostat	Side
<b>11</b>	70371501	Stove Back	
<b>12</b>	70188801	Burner Grill	
<b>13</b>	70229801P	Gas Burner	
	70546701	Anti-Rattle Burner Assembly	Includes 70229801P Gas Burner, 431318 Control Door Latch and M400003 Pop Rivet
<b>14</b>	M414477	Thermostat Cover	
<b>15</b>	44328104	Limit Thermostat	Rear
<b>16</b>	M405188	Screw	2 required
<b>17</b>	70564301	Stove Limit Harness	
<b>18</b>	05161	Screw	
<b>19</b>	70159601	Igniter Cover	
<b>20</b>	70548701P	Spark Electrode	
<b>21</b>	70203701	Pipe Clip	
<b>22</b>	70539901	Ignition Keeper Orifice Bracket	
<b>23</b>	70379301	Orifice Adapter	
<b>24</b>	70208701	Elbow	2 required
<b>25</b>	70248901	Orifice Holder Bracket	
<b>26</b>	70239801	Primary Air Adjustment Sleeve	
<b>27</b>	70333401	Stove Top and Sides	

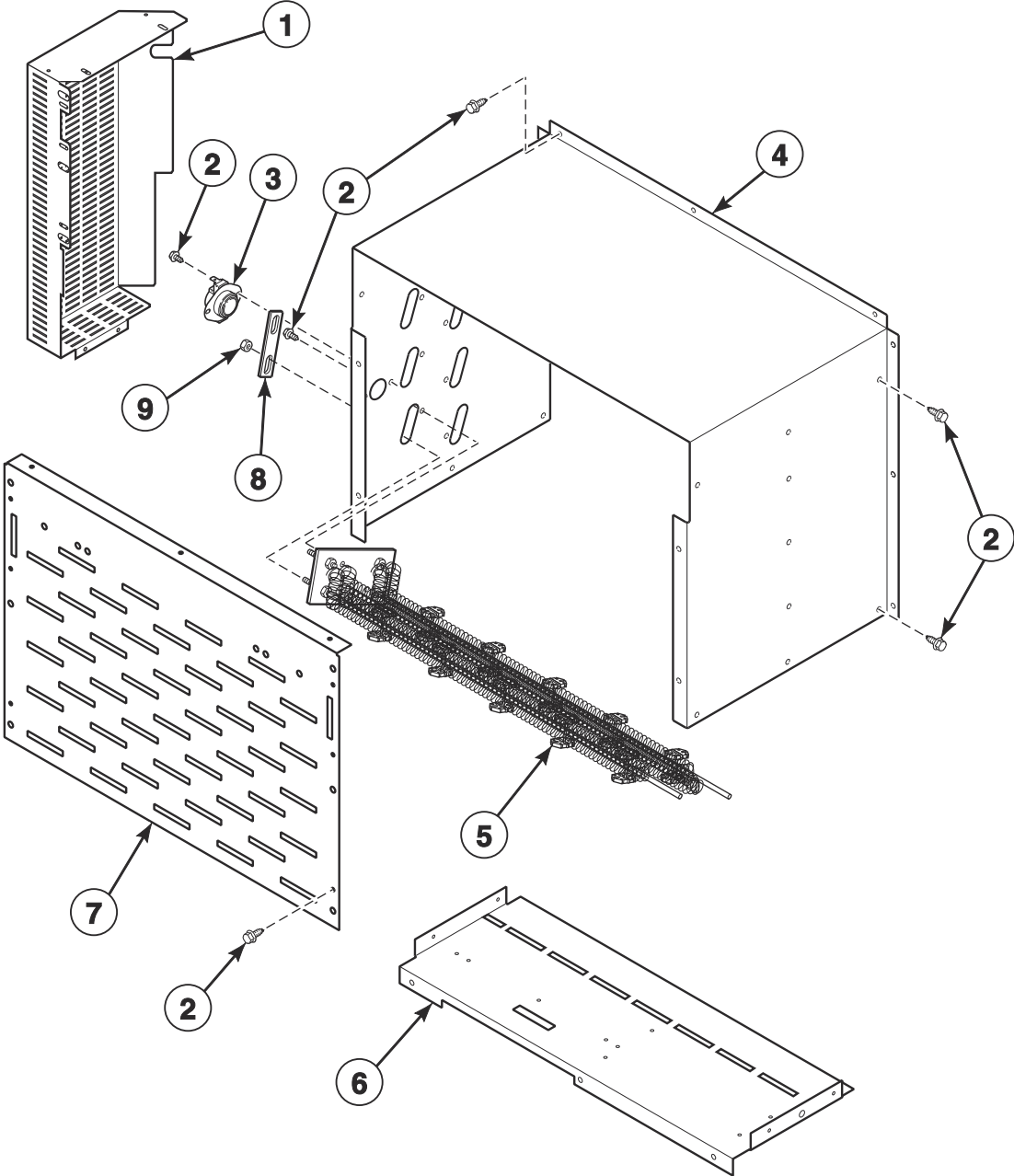




## Burner Orifices

REF	PART NO.	DESCRIPTION	COMMENTS
1	M401002	Burner Orifice	Classic models; Natural Gas (N.G.); Drill no. 20 (4.09 mm); 0-2,000 feet
	M401020	Burner Orifice	Classic models; N.G.; Drill no. 23 (3.91 mm); 2,001-4,000 feet
	M402997	Burner Orifice	Classic models; N.G.; Drill no. 25 (3.80 mm); 4,001-6,000 feet
	M400998	Burner Orifice	Classic models; N.G.; Drill no. 27 (3.66 mm); 6,001-8,000 feet
	70476601	Burner Orifice	Classic models; N.G.; 3.50 mm; 8,001-10,000 feet
	M406361	Burner Orifice	CSA and AGA classic models; Liquid Petroleum Gas (L.P.); Drill no. 40 (2.49 mm); 0-2,000 feet
	M403017	Burner Orifice	CSA and AGA classic models; L.P.; Drill no. 42 (2.37 mm); 2,001-4,000 feet
	70070905	Burner Orifice	CSA and AGA classic models; L.P.; 2.30 mm; 4,001-6,000 feet
	70070906	Burner Orifice	CSA and AGA classic models; L.P.; 2.20 mm; 6,001-8,000 feet
	M401027	Burner Orifice	CSA and AGA classic models; L.P.; Drill no. 45 (2.08 mm); 8,001-10,000 feet
	M401011	Burner Orifice	IEC classic models; L.P.; Drill no. 44 (2.18 mm); 0-2,000 feet
	M401027	Burner Orifice	IEC classic models; L.P.; Drill no. 45 (2.08 mm); 2,001-4,000 feet
	M400999	Burner Orifice	IEC classic models; L.P.; Drill no. 47 (1.99 mm); 4,001-6,000 feet
	M401001	Burner Orifice	IEC classic models; L.P.; Drill no. 48 (1.93 mm); 6,001-8,000 feet
	M401018	Burner Orifice	IEC classic models; L.P.; Drill no. 49 (1.85 mm); 8,001-10,000 feet
	70070906	Burner Orifice	Classic J market models; L.P.; 2.20 mm; 0-2,000 feet
	M401014	Burner Orifice	Eco models; N.G.; Drill no. 28 (3.57 mm); 0-2,000 feet
	44254001	Burner Orifice	Eco models; N.G.; 3.40 mm; 2,001-4,000 feet
	44253801	Burner Orifice	Eco models; N.G.; 3.30 mm; 4,001-6,000 feet
	M402489	Burner Orifice	Eco models; N.G.; Drill no. 1/8 (3.18 mm); 6,001-8,000 feet
	M401017	Burner Orifice	Eco models; N.G.; Drill no. 31 (3.05 mm); 8,001-10,000 feet

# Electric Heater Components

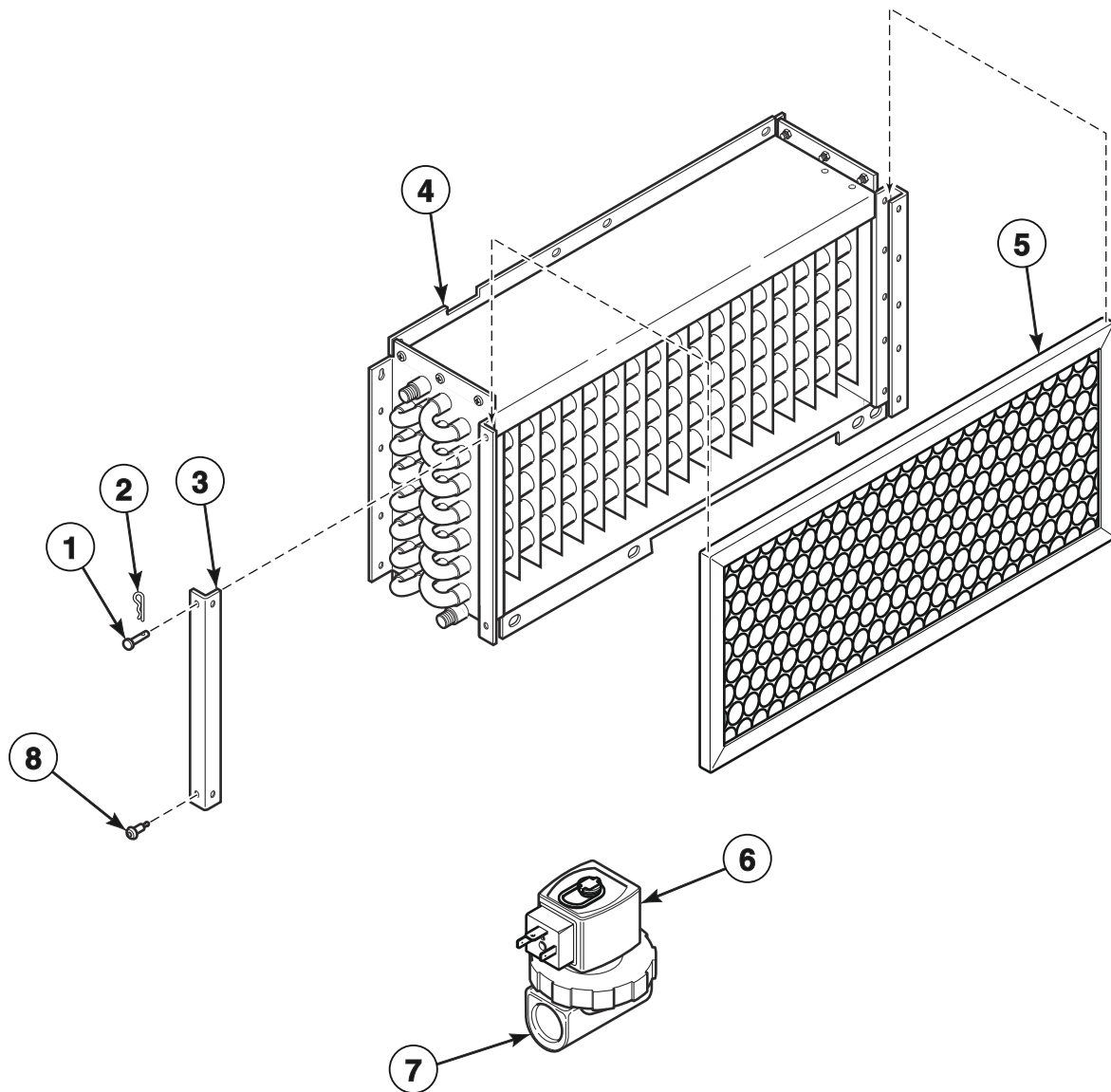


TMB3521P\_70591301

## Electric Heater Components

REF	PART NO.	DESCRIPTION	COMMENTS
	70564303	Stove Limit Harness	
	44281709	Jumper Harness	
	44295412	Jumper Harness	
<b>1</b>	70365201	Stove Connectors Cover	
<b>2</b>	430497	Screw	
<b>3</b>	44328006	Limit Thermostat	
<b>4</b>	70525601	Stove Top and Sides	
<b>5</b>	70034401P	Heater Element	Classic models; 3 required; 7 kW; 208 Volt heater element for 200-208 Volt/1 or 3 Phase
	70034402P	Heater Element	Classic models; 3 required; 7 kW; 220 Volt heater element for 380 and 440 Volt/3 Phase
	70034403P	Heater Element	Classic models; 3 required; 7 kW; 240 Volt heater element for 230-240 Volt/1 or 3 Phase and 400-415 and 460-480 Volt/3 Phase
	70034415P	Heater Element	Eco models; 3 required; 4 kW; 208 Volt heater element for 200-208 Volt/3 Phase
	70034414P	Heater Element	Eco models; 3 required; 4 kW; 220 Volt heater element for 380 and 440 Volt/3 Phase
	70034416P	Heater Element	Eco models; 3 required; 4 kW; 240 Volt heater element for 400-415 Volt/50 Hertz or 240 and 460-480 Volt/60 Hertz
<b>6</b>	70357201	Stove Partition	
<b>7</b>	70214901	Stove Grill	
<b>8</b>	70066501	Jumper Bar	2 required on 380, 400, 400-415 and 460-480 Volt
	M400869	Jumper Strip	3 required for 460-480 Volt; 6 required for all other models
<b>9</b>	70054	Nut	

# Steam Heater Components

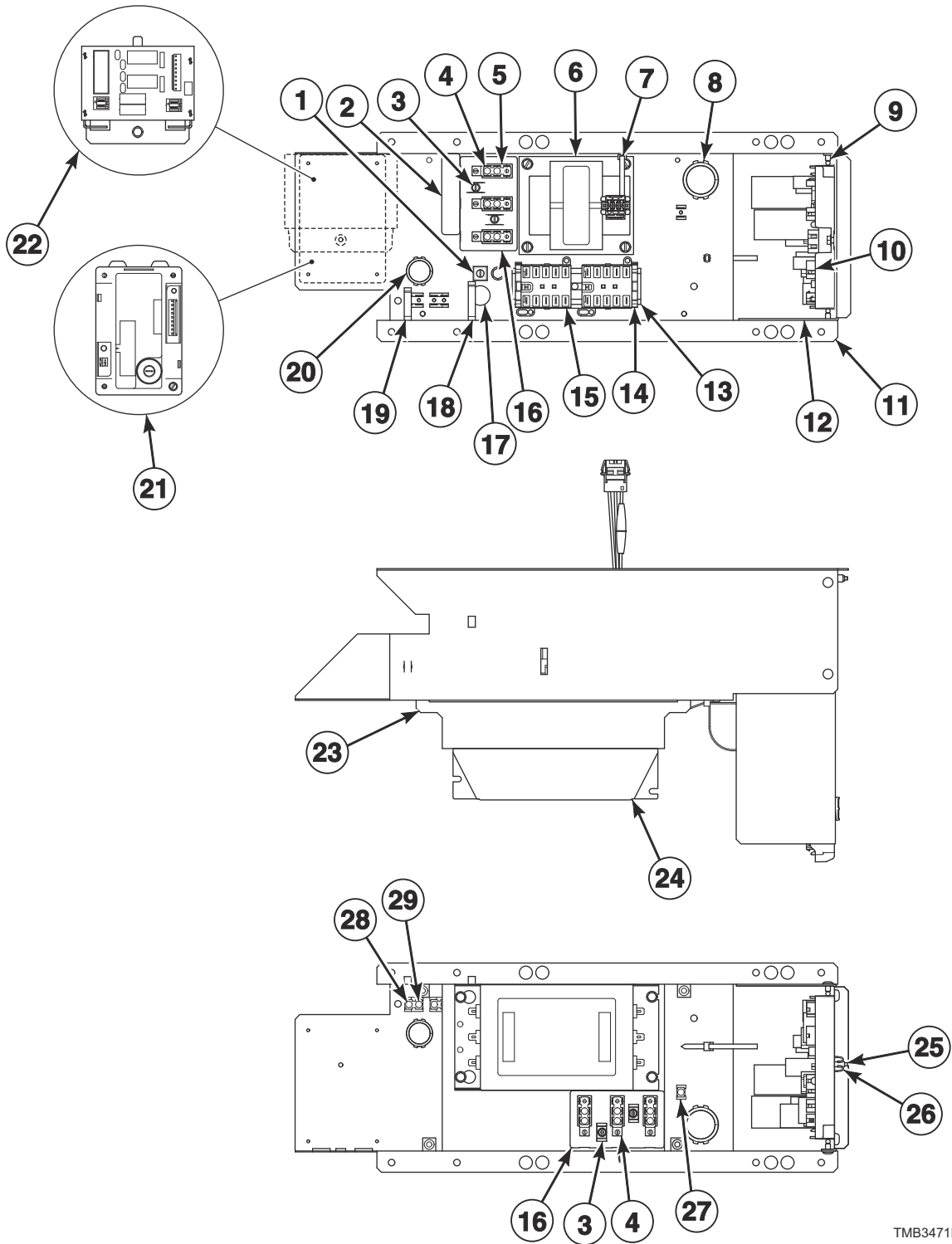


TMB3522P\_70591301

## Steam Heater Components

REF	PART NO.	DESCRIPTION	COMMENTS
	F8382301	DIN Valve Adapter Kit	Use with item 7
	70564302	Stove Limit Harness	
	F8520703	Steam Valve Harness	
	44304801	Strain Relief	
	70529601	Steam Adapter Kit	IEC models
1	70389201	Clevis Pin	
2	70389301	Hairpin Cotter	
3	70369301	Steam Filter Holder	
4	70369101P	Steam Coil	4 rows
5	70429401	Filter	IEC models
	70036001	Air Filter	CSA models
6	F8514701	Coil	120 Volt
	F8514601P	Coil	240 Volt
7	F8322904P	Steam Valve	120 Volt
	F8322906P	Valve	240 Volt
8	70058501	Pop Rivet	

# Control Tray

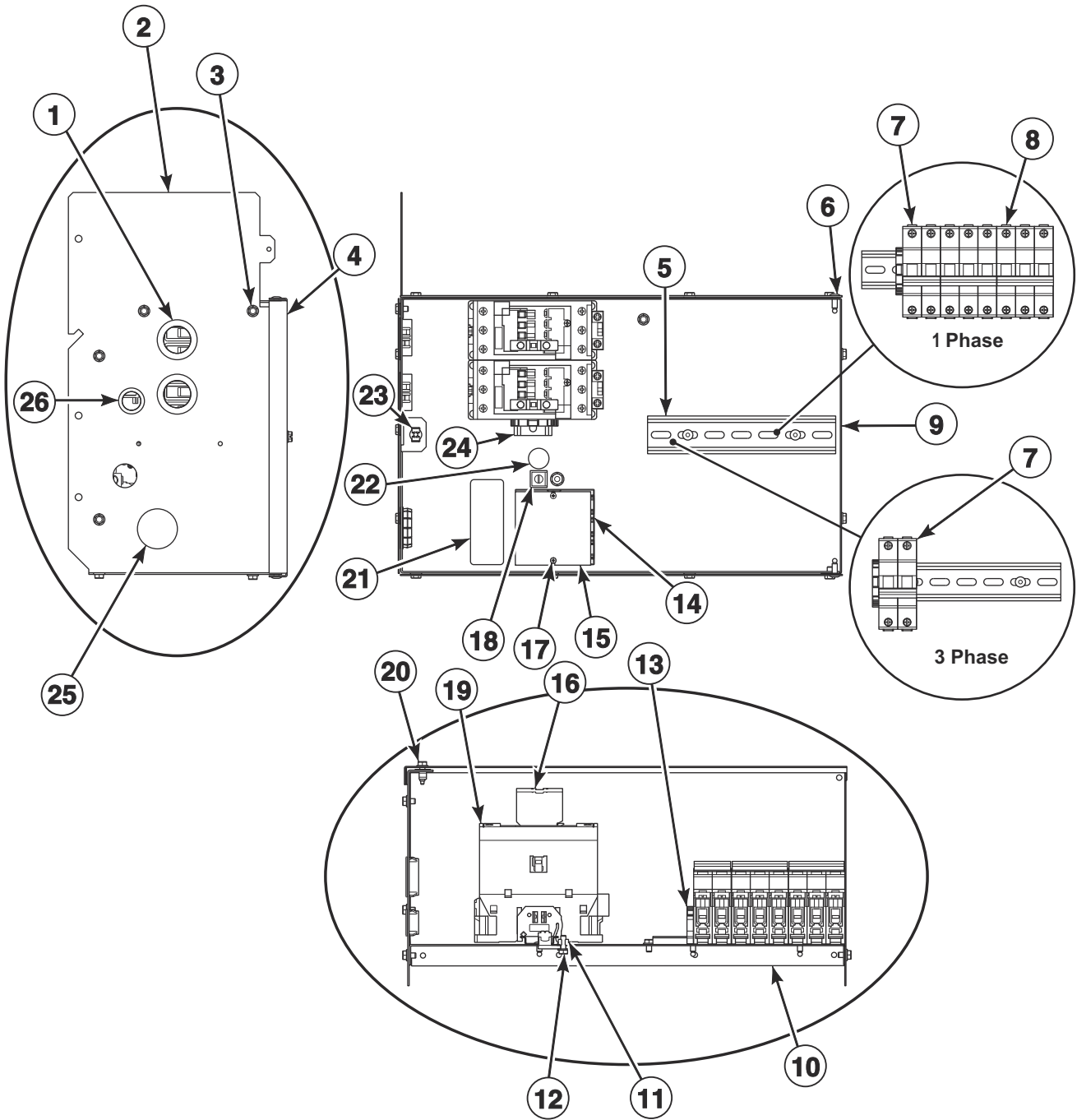


TMB3471P\_70591301

# Control Tray

REF	PART NO.	DESCRIPTION	COMMENTS
	685837	Screw	Use with item 1
	44088001	Nut	Use with item 1
	70559301	Conversion Kit	X to B voltage
	44272301	Transformer Harness	120 Volt
	44272302	Transformer Harness	240 Volt
<b>1</b>	M411283	Ground Lug Connector	
<b>2</b>	44286803	Label	L1, L2, L3
	44286801	Label	L1, N
	44286802	Wire Label	L1 L2, L1 N
	44286804	Wire Label	L1 L2, L1 N, L1 L2 L3
<b>3</b>	51783	Screw	
<b>4</b>	430642	Terminal Block	
<b>5</b>	70333001	Terminal Block Shield	
<b>6</b>	F8491101	Transformer	380-480 Volt
<b>7</b>	70335601	Cable Tie	
<b>8</b>	70346501	Bushing	
<b>9</b>	70058501	Pop Rivet	
<b>10</b>	70479201	I/O Control Assembly	
<b>11</b>	70492401	Control Tray	
<b>12</b>	70494901	Control Board Control Tray	
<b>13</b>	M412690	DIN Rail	
<b>14</b>	F8449801	End Stop	
<b>15</b>	70482601	Contactora	240 Volt or less: 1 required; 380 Volt or higher: 2 required
<b>16</b>	M413862	Insulator	
<b>17</b>	D516100	Label	
<b>18</b>	F8449501	Wire Clip	
<b>19</b>	F8449502	Wire Clip	
<b>20</b>	70178701	Snap Bushing	
<b>21</b>	70482002	Ignition Control	IEC gas models
	70482001	Ignition Control	CSA gas models
<b>22</b>	70501801	Steam Control Assembly	Steam models
<b>23</b>	70533101	Filter Bracket	
<b>24</b>	F8591601	EMI Filter	IEC models; 100-200 and 200-240 Volt/1 Phase
	F8637501	EMI Filter	IEC models; 380-480 Volt
<b>25</b>	F8206901	Screw	
<b>26</b>	70030501	Expansion Clip	
<b>27</b>	00621SG	Male Tab Terminal	
<b>28</b>	M400003	Pop Rivet	
<b>29</b>	00622SG	Terminal	

# Accessory Box - Electric 200-240 Volt Models



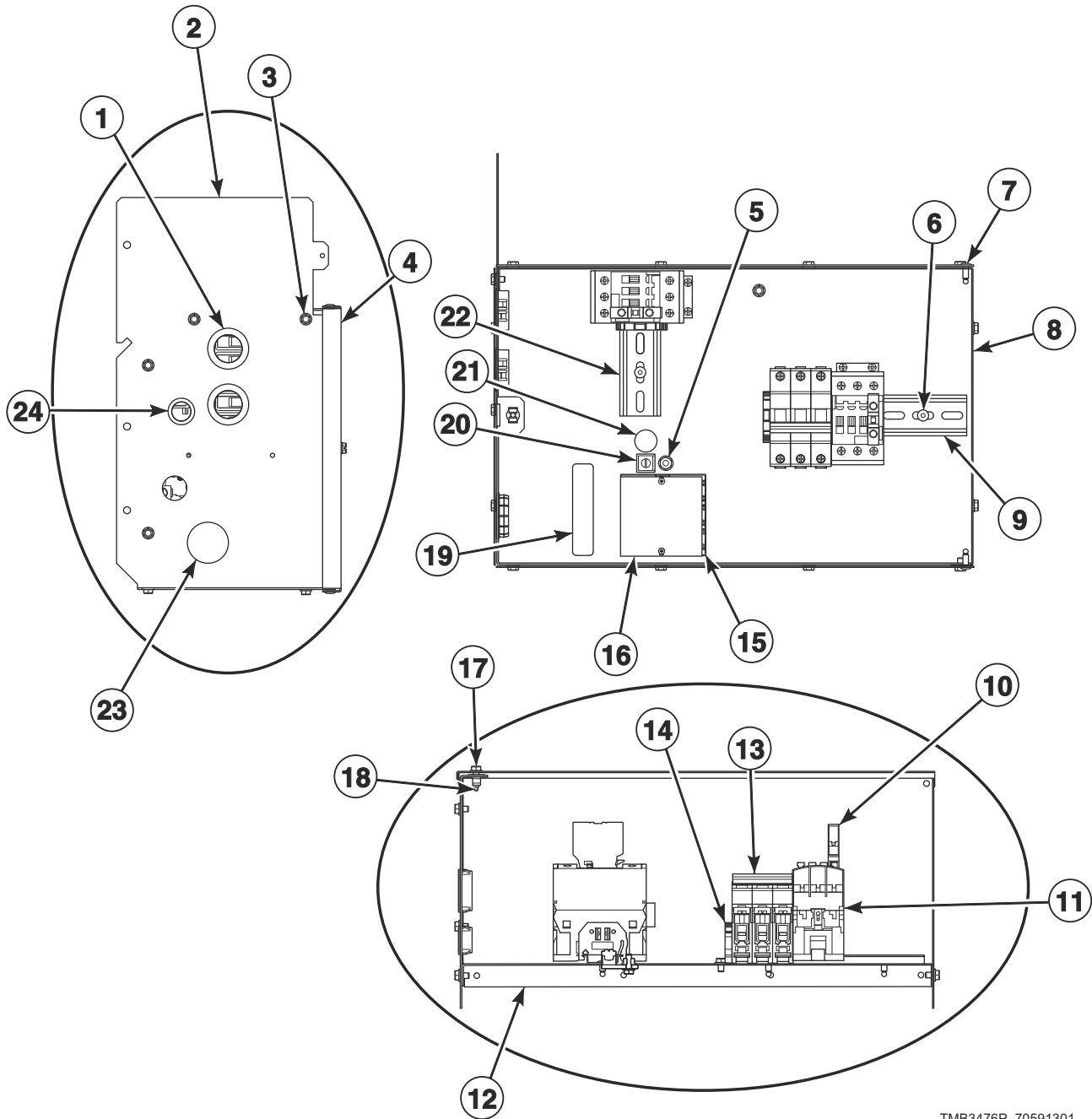
TMB3475P\_70591301



## Accessory Box - Electric 200-240 Volt Models

REF	PART NO.	DESCRIPTION	COMMENTS
	F8611600	Warning Label Kit	IEC models
	F8611601	Warning Label	
	44309001	Harness	CSA models; 1 Phase; Power distribution block to control circuit breaker
	44309011	Harness	IEC models; 1 Phase; Power distribution block to control circuit breaker
	70516106	Harness	Contactator to element
	70516105	Harness	Contactator to element
	70516103	Harness	1 Phase; Power distribution block to circuit breaker/contactator
	70516104	Harness	Power distribution block to circuit breaker/contactator
	70516101	Harness	Power distribution block to circuit breaker/contactator
	70516102	Harness	1 Phase; Power distribution block to circuit breaker/contacto
<b>1</b>	M402542	Snap Bushing	2 required
<b>2</b>	70540601	Accessory Box Side	Left
<b>3</b>	51780	Screw	
<b>4</b>	70358401	Accessory Box Cover	
<b>5</b>	F8134001	DIN Rail	
<b>6</b>	70058502	Pop Rivet	
<b>7</b>	70488102	Circuit Breaker	25 amp
<b>8</b>	70488104	Circuit Breaker	2 required; 50 amp; 1 Phase
<b>9</b>	70540701	Accessory Box Side	Right
<b>10</b>	70540501	Accessory Box Back	
<b>11</b>	44088001	Nut	
<b>12</b>	685837	Screw	
<b>13</b>	F8449801	End Stop	2 required
<b>14</b>	M413865	Terminal Block	
<b>15</b>	44014901P	Power Distribution Block Cover	
<b>16</b>	44313201	Auxiliary Contact Block	2 required
<b>17</b>	39733	Screw	
<b>18</b>	M411283	Ground Lug Connector	
<b>19</b>	70482801	Contactator	2 required
<b>20</b>	F8206901	Screw	
<b>21</b>	44286802	Wire Label	1 Phase
	44286803	Label	3 Phase
<b>22</b>	D516100	Label	
<b>23</b>	70030501	Expansion Clip	
<b>24</b>	M412690	DIN Rail	
<b>25</b>	70180001	Plug	
<b>26</b>	M400770	Snap Bushing	

# Accessory Box - Electric 380-480 Volt Models



TMB3476P\_70591301

## Accessory Box - Electric 380-480 Volt Models

REF	PART NO.	DESCRIPTION	COMMENTS
	F8611600	Warning Label Kit	IEC models
	F8611601	Warning Label	
	44334307	Contactator Coil Harness	
	44334302	Control Harness	3 Phase
	44309002	Harness	CSA models; Power distribution block to control circuit breaker
	44309012	Harness	IEC models; Power distribution block to control circuit breaker
	70516106	Harness	Contactator to element
	70516103	Harness	2 required; Power distribution block to circuit breaker/contactator
<b>1</b>	M402542	Snap Bushing	2 required
<b>2</b>	70540601	Accessory Box Side	Left
<b>3</b>	51780	Screw	
<b>4</b>	70358401	Accessory Box Cover	
<b>5</b>	685837	Screw	
	44088001	Nut	
<b>6</b>	70058501	Pop Rivet	
<b>7</b>	70058502	Pop Rivet	
<b>8</b>	70540701	Accessory Box Side	Right
<b>9</b>	F8134001	DIN Rail	
<b>10</b>	44313201	Auxiliary Contact Block	2 required
<b>11</b>	70482701	Contactator	2 required
<b>12</b>	70540501	Accessory Box Back	
<b>13</b>	70488101	Circuit Breaker	25 amp
<b>14</b>	F8449801	End Stop	2 required
<b>15</b>	M413865	Terminal Block	
<b>16</b>	44014901P	Power Distribution Block Cover	
<b>17</b>	F8206901	Screw	
<b>18</b>	70030501	Expansion Clip	
<b>19</b>	44286803	Label	
<b>20</b>	M411283	Ground Lug Connector	
<b>21</b>	D516100	Label	
<b>22</b>	M412690	DIN Rail	
<b>23</b>	70180001	Plug	
<b>24</b>	M400770	Snap Bushing	

# Harnesses

<b>PART NO.</b>	<b>DESCRIPTION</b>	<b>COMMENTS</b>
44316007	Harness	IEC models; 1 Phase; Auxiliary power distribution block to filter harness
44316008	Harness	IEC models; 3 Phase; Auxiliary power distribution block to filter harness
44280007	Configuration Harness	100-120 Volt; Cylinder
44280006	Configuration Harness	100-120 Volt; Fan
44334502	Control Tray Harness Assembly	Electric models
44334501	Control Tray Harness Assembly	Gas models
44334507	Control Tray Harness Assembly	Steam models
44334401	Interconnect Harness	
44334702	Inverter Contactor Coil Harness	Secondary; 380-480 Volt
44316001	Harness	IEC models; 1 Phase; Main power distribution block to EMI filter harness
44316002	Harness	IEC models; 3 Phase; Main power distribution block to EMI filter harness
44280005	Configuration Harness	3 Phase
44280010	Motor Contactor Power Harness	IEC models; 1 Phase
44280012	Motor Contactor Power Harness	IEC models; 3 Phase
44280001	Motor Contactor Power Harness	CSA models; 1 Phase
44280003	Motor Contactor Power Harness	CSA models; 3 Phase
44280101	Power Harness	Control and emergency stop connection; 380-480 Volt
44272101	Power Harness	Control and emergency stop connection; 100-120 and 200-240 Volt
44334406	Sensor Harness	

## Labels

<b>PART NO.</b>	<b>DESCRIPTION</b>	<b>COMMENTS</b>
44324201	Caution Label	Australian models; Repeat Ignition Reset
70535101	Caution Label	Vent/install
F8614501	Danger Label	Shock; English/French
F8614301	Hot Surface Warning Label	English/French
F8609001	Hot Surface Warning Label	Icon
F8605501	Label	
70535100	Label Kit	Vent/install
F8614500	Label Kit	Shock
70539601	Notice Label	
F8609501	Notice Label	
D516073	Notice Label	Read instructions; Icon
70538401	Pinch Warning Label	English/French
F8615701	Pinch Warning Label	Icon
F8614201	Shock Warning Label	Icon
70536301	Warning Label	Lint; Australian models
44324101	Warning Label	Fire; Australian models
70534305	Warning Label	Fire; Colombian Spanish; Australian models
44321601	Warning Label	Risk of fire; Icon



# Parts Index

## A

Access Panel Trim	
70399405 .....	43
70399411 .....	43
Accessory Box Back	
70540501 .....	79, 81
Accessory Box Cover	
70358401 .....	79, 81
Accessory Box Side	
70540601 .....	79, 81
70540701 .....	79, 81
Adapter	
70131901 .....	69
Air Filter	
70036001 .....	75
Airflow Switch and Arm Bracket	
70319601 .....	67
Airflow Switch Arm	
70319401 .....	67
Airflow Switch Cover	
70356601 .....	67
70465701 .....	67
Airflow Switch Vane	
70319201 .....	67
Airflow Switch Wrapper	
70356101 .....	67
Anti-Rattle Burner Assembly	
70546701 .....	69
Auxiliary Contact Block	
44313201 .....	79, 81

## B

Belt	
70276205P .....	63
Blind Rivet	
F8245101 .....	47, 49
Blower Assembly	
70359801P .....	63, 65
Blower Housing	
70020301 .....	65
70215101 .....	63, 65
70554701 .....	63, 65
Blower Housing Scroll	
70016301 .....	63
Blower Inlet Cone	
70014101 .....	65
Blower Motor Mounting Plate	
70349601 .....	63, 65
Burner Grill	
70188801 .....	69
Burner Orifice	
M40098 .....	71
M400999 .....	71
M401001 .....	71
M401002 .....	71
M401011 .....	71
M401014 .....	71

M401017 .....	71
M401018 .....	71
M401020 .....	71
M401027 .....	71
M402489 .....	71
M402997 .....	71
M403017 .....	71
M406361 .....	71
44253801 .....	71
44254001 .....	71
70070905 .....	71
70070906 .....	71
70476601 .....	71
Bushing	
70346501 .....	57, 77
Bypass Harness	
44334103 .....	43

## C

Cable Tie	
70335601 .....	77
Cam and Hinge Kit	
M4772P3 .....	35, 49
M4773P3 .....	35
Caution Label	
44324201 .....	83
70535101 .....	83
Center Cylinder Seal Assembly	
70066004 .....	55
Center Pan	
70565201 .....	57
Center Partition	
70252601 .....	57
Central Pay Harness	
44342801 .....	17
Circuit Breaker	
70488101 .....	81
70488102 .....	79
70488105 .....	79
Clevis Pin	
70389201 .....	75
Coil	
F8514601P .....	75
F8514701 .....	75
Coin Box	
F160673P .....	43
Coin Chute Assembly	
70296401 .....	43
Coin Drop	
38963P .....	27
39748 .....	27
70441601 .....	27
70441603 .....	27
Coin Drop Assembly	
201141 .....	27
210195 .....	27
210196 .....	27
38462P .....	27
38463 .....	27
38467 .....	27

N/A items do not appear in index.





Door Assembly	
44058005 .....	31
44058006 .....	31
44058007 .....	31
44058008 .....	31
44287801B .....	31
44287801LGP .....	31
70212300 .....	31
70212301 .....	31
70212302 .....	31
70408901 .....	31
70496501 .....	31
70496502P .....	31
Door Catch Assembly	
D510177 .....	49
Door Glass	
M400784P .....	33
70133601P .....	33
70133602 .....	33
Door Glass Installation Tool	
M4221P4 .....	33
Door Glass Seal Kit	
70211901P .....	33
Door Handle	
44007902P .....	33
44263801 .....	33
70521101 .....	33
Door Handle Wedge	
D510129W .....	49
Door Hinge	
70116003* .....	35
70116005B .....	35
70116005LG .....	35
70116006 .....	35
Door Hinge Lug Assembly	
44035001 .....	35, 49
44035002 .....	35
Door Latch	
M401223 .....	43
Door Pull and WEdge Kit	
D511213P .....	49
Door Pull and Wedge Kit	
D510103*P .....	49
Door Ring	
70543903B .....	33
Door Ring and Handle Assembly	
70543907B .....	33
70543907LG .....	33
Door Ring Assembly	
70543901 .....	33
70543902 .....	33
70543904B .....	33
70543905 .....	33
70543906 .....	33
Door Ring Gasket	
70296801 .....	33
Door Strike	
D510181 .....	49
Door Switch Actuator	
70532101 .....	35
70532102 .....	35
Drive Motor	
70478601 .....	63
70485001 .....	63

Drive Plate	
70571901 .....	63
Drive Rivet	
M400713 .....	61
Drywall Screw Magnet Kit	
70343101P .....	51, 55

## E

Elbow	
70208701 .....	69
70428101 .....	59
Electronic Coin Drop Assembly	
70294107 .....	27
70513302 .....	27
70513303 .....	27
70513304 .....	27
70513306 .....	27
70513308 .....	27
70513309 .....	27
70513310 .....	27
70513311 .....	27
70513312 .....	27
70513313 .....	27
70513314 .....	27
70513315 .....	27
70513316 .....	27
Electronic Coin Drop Kit	
CK099 .....	29
CK100 .....	29
CK101 .....	29
CK108 .....	29
CK109 .....	29
CK110 .....	29
CK113 .....	29
CK115 .....	29
CK116 .....	29
CK117 .....	29
CK118 .....	29
CK119 .....	29
CK120 .....	29
CK121 .....	29
Emergency Stop Button Kit	
70580301 .....	45
Emergency Stop Bypass Harness	
F8519403 .....	45
Emergency Stop Harness	
44272401 .....	45
Emergency Stop Label	
44012901 .....	45
44012903 .....	45
Emergency Stop Mounting Bracket	
70550401 .....	45
Emergency Stop Pushbutton	
F200233500 .....	45
EMI Filter	
F8591601 .....	77
F8637501 .....	77
End Cap	
70070101 .....	51
70070102 .....	51
End Stop	
F8449801 .....	77, 79, 81
Exhaust Thimble	
70017801 .....	63

N/A items do not appear in index.

Expansion Clip 70030501 .....	17, 19, 43, 77, 79, 81
----------------------------------	------------------------

70392701P .....	65
Ground Lug Connector M411283.....	77, 79, 81

## F

False Front	
70000501*P .....	37
70000503DG .....	37
70000503LG .....	37
70000504 .....	37
70024203DG .....	37
70024203LG .....	37
70024204 .....	37
False Front Assembly	
70024201*P .....	37
Fan Motor	
70478701 .....	63, 65
70484901 .....	63, 65
FCC-IC Label	
F8613201 .....	19, 25
Fill Hose	
202799 .....	61
Filter	
70429401 .....	75
Filter Bracket	
70533101 .....	77
Filter Mounting Plate	
70551701 .....	61
Front Panel	
70524101* .....	41
70524102 .....	41
70524103* .....	41
70524104 .....	41
70524105* .....	41
70524106 .....	41
70524113* .....	41
70524114 .....	41
70524117DG .....	41
70524118DG .....	41
70524126* .....	41
70524127 .....	41
70524128DG .....	41
70524128LG .....	41
Front Panel Seal	
70173401P .....	41

## G

Gas Burner	
70229801P .....	69
Gas Line Assembly	
70271201 .....	69
Gas Valve	
44154507 .....	69
44154508 .....	69
Gas Valve Bracket	
70504101 .....	69
Gas Valve Cover	
70429901 .....	69
Gas Valve Harness	
44273501 .....	69
Gasket	
70247601 .....	49

## H

Hairpin Cotter	
70389301 .....	75
Handle and Caps Assembly	
70154401 .....	47
70154413 .....	47
Handle Bar	
70399502B .....	33
Handle Bumper	
70407205 .....	47
70407207 .....	47
Harness	
F8617901 .....	25
44309001 .....	79
44309002 .....	81
44309011 .....	79
44309012 .....	81
44316001 .....	82
44316002 .....	82
44316007 .....	82
44316008 .....	82
70516101 .....	79
70516102 .....	79
70516103 .....	79, 81
70516104 .....	79
70516105 .....	79
70516106 .....	79, 81
Harness Adapter Plate	
70523301 .....	59, 61
Harness Mounting Plate	
70307007 .....	17, 19, 23, 25
Heater Element	
70034401P .....	73
70034402P .....	73
70034403P .....	73
70034414P .....	73
70034415P .....	73
70034416P .....	73
Hinged Door	
70267701* .....	49
70267703 .....	49
Hold-Down Clip	
35865 .....	57
Hole Plug	
70063201 .....	57
Hose	
44073304 .....	61
Hose Clamp	
36801 .....	61
Hose Fitting	
44069101 .....	61
Hot Surface Warning Label	
F8609001 .....	83
F8614301 .....	83

N/A items do not appear in index.

---

**I**

Idler Wheel Assembly 70050401P .....	63
Igniter Cover 70159601 .....	69
Ignition Control 70482001 .....	77
70482002 .....	77
Ignition Keeper Orifice Bracket 70539901 .....	69
Insulator M413862 .....	77
Interconnect Harness 44334401 .....	82
Inverter Contactor Coil Harness 44334702 .....	82
Inverter Motor Harness 44335301 .....	63
I/O Control Assembly 70479201 .....	77

---

**J**

Jumper Bar 70066501 .....	73
Jumper Harness D511476 .....	43
442295412 .....	73
44281709 .....	73
Jumper Strip M400869 .....	73

---

**K**

Key 70144101 .....	63
70155601 .....	43, 61
70155602 .....	43
Kickplate 70117601 .....	47
70117616 .....	47

---

**L**

Label D516100 .....	77, 79, 81
F8605501 .....	83
F8649601 .....	19
44108201 .....	41
44190901 .....	41
44286801 .....	77
44286803 .....	77, 79, 81
44318201 .....	61
70414001 .....	33
70537101 .....	41
Label Kit F8614500 .....	83
44318200 .....	61
44324500 .....	61

70534300 .....	41
70535100 .....	83
Light 801432 .....	61
Limit Access Bracket 70554901 .....	63, 65
Limit Thermostat 44328001 .....	65
44328004 .....	69
44328006 .....	73
44328104 .....	69
70530901 .....	65
Lint Panel 70515401* .....	47
70515402 .....	47
70515403LG .....	47
70515404DG .....	47
70515405 .....	47
Lint Panel Gasket 70289101P .....	47
Lint Panel Pivot Plate 70017901 .....	47
Lint Screen 70325601 .....	57
Lock Shim 70342401 .....	43
Lock, Key and Nut Kit 44089301P .....	43, 61
44089302P .....	43
Lower Rear Assembly 70493301 .....	63
L.P. Conversion Kit 70550201 .....	69
70551901 .....	69
L.P. Valve 44154504 .....	69

---

**M**

Machine ID Control Assembly 203361P .....	17, 19, 23, 25
Magnet 70343101 .....	47, 49
Magnet Bracket 44290501 .....	47
Male Tab Terminal 00621SG .....	77
Mixing Valve 70519801 .....	61
Mixing Valve Shield Bracket 44306601 .....	61
Moisture Sensor Harness 44333903 .....	53
Motor Conduit Mounting Bracket 70521901 .....	63
Motor Contactor Power Harness 44280001 .....	82
44280003 .....	82
44280010 .....	82
44280012 .....	82
Motor Mount Bracket 70564101 .....	63

N/A items do not appear in index.

Motor Mount Plate	
70564201 .....	63
Motor Pulley	
70559101 .....	63
Mounting Bracket	
70601401 .....	61
Mounting Plate	
70208801 .....	17, 19

## N

Nameplate	
B12389801 .....	43
F8443105 .....	43
567887 .....	43
Nameplate Overlay	
44104501 .....	43
44130101 .....	43
44144401 .....	43
70115601 .....	43
70410201 .....	43
70411401 .....	43
Notice Label	
D516073 .....	83
F8609501 .....	83
70535901 .....	69
70539601 .....	83
70544901 .....	69
Nozzle Bracket	
70424201 .....	59
70428601 .....	59
Nut	
M400022 .....	53, 55, 65
M400034 .....	55, 65
M404993 .....	57
M412986 .....	55
M414215 .....	33
21899 .....	57
23951 .....	47
430576 .....	57
44071201 .....	25
44087201 .....	51
44088001 .....	33, 35, 77, 79, 81
44088801 .....	43
44333202 .....	63
51236 .....	47
70054 .....	73
N.G. Valve	
44154503 .....	69

## O

Opto Coupler	
200674P .....	27
Orifice Adapter	
70379301 .....	69
Orifice Holder Bracket	
70248901 .....	69
Overlay	
F8205101 .....	17, 19
70295101 .....	19
70512004 .....	21
70512005 .....	21
70512006 .....	21

70512007 .....	21
70512008 .....	21
70516801 .....	15
70516802 .....	15
70517001 .....	21
70517002 .....	21
70517003 .....	21
70517004 .....	21
70517005 .....	21
70517801 .....	15
70517802 .....	15
7051801 .....	17
7051802 .....	17
70518101 .....	19
70518102 .....	19
70518201 .....	21
70518202 .....	21
70518203 .....	21
70519001 .....	15
70519002 .....	15
70519201 .....	25
70539101 .....	15
70539102 .....	15
70541201 .....	21
70541202 .....	21
70541203 .....	21
70544701 .....	17
70544702 .....	17
70544703 .....	17
70545501 .....	15
70545502 .....	15
70547401 .....	17
70547402 .....	17
70547501 .....	15
70547502 .....	15
70547801 .....	23
70547802 .....	23
70548101 .....	17
70548801 .....	23
70548802 .....	23
70556201 .....	19
70556301 .....	19
70556401 .....	19
70556402 .....	19
70556501 .....	17, 19
70556502 .....	17, 19
70556601 .....	19
70556701 .....	19
70556801 .....	19
70556901 .....	19
70557001 .....	17, 19
70557002 .....	17, 19
70559001 .....	21
70570301 .....	17
70570302 .....	17
70570303 .....	17
70570601 .....	23
70570602 .....	23
70570801 .....	23
70570802 .....	23
70571001 .....	21
70571002 .....	21
70571003 .....	21
70571101 .....	21
70571102 .....	21
70571103 .....	21
70571401 .....	23
70571402 .....	23
70571601 .....	23

N/A items do not appear in index.

70571602	23
70572401	23
70572402	23
70572601	21

## P

Panel	
70553301*	49
70553401*	49
Panel Locator	
56079	43, 47
Panel Lock	
44089304	43
44089305	43
Pin	
70071401	35, 49
Pinch Warning Label	
F8615701	83
70538401	83
Pipe Clip	
70203701	69
Pipe Plug	
70346801	69
Pivot Arm Lever	
70543301	63
Plug	
70167601	69
70180001	61, 79, 81
Pop Rivet	
M400003	77
M405750	69
44166601	43
70058501	35, 47, 49, 57, 75, 77, 81
70058502	79, 81
70126301	47
70126401	47
70412601	33
Porcelain Touch-Up Paint	
122P4P	57
370P4P	57
Power Distribution Block Cover	
44014901P	79, 81
Power Harness	
44272101	82
44280101	82
Power Sensor Harness	
44334402	61
Primary Air Adjustment Sleeve	
70239801	69
Pushbutton Switch	
70413301	15, 17, 19, 23, 43
Push-to-Start Switch	
801434W	61

## R

Rear Bearing Shim	
70355001	55
Rear Cylinder Bearing Housing	
70013901	55

Rear Cylinder Channel	
70257301	51
70257302	51
Rear Cylinder Channel Plate	
70257401	51
Rear Cylinder Seal	
70013702	55
Rear Cylinder Seal Support	
70506401	55
Rear Lint Panel	
70565301	47
Rear Panel	
70564901	55
70564902	55
70564903	55
70564904	55
Reed Switch Assembly	
F8066804	47
Roller and Seal Kit	
70568201	57
Roller Catch Arm	
70030301	47
Roller Catch Spacer	
70030201	47
Roller Catch Wheel	
70297601	47
Roller Seal	
70443601	57
Roller Shaft	
70249501	57
Roller Support Bracket	
70328301	57

## S

Screw	
F8206901	77, 79, 81
M400044	35
M400661	33
M405188	37, 69
M411072	17, 19, 25, 43
05161	69
33562	25
39733	43, 47, 79
430497	47, 51, 57, 59, 61, 65, 67, 69, 73
430757	47
51780	59, 61, 79, 81
51783	77
62588	51
685837	77, 79, 81
70033502	35, 49
70072801	47
70126101	65
70132301	47
70247701	57
70391101	51
70407301	35
70436301	35
70442101	33, 49
70576101	35
804608	15, 17, 19, 23, 25, 61
SensorHarness	
44334406	82
Sheet Metal Edge Gasket	
70015709	57

N/A items do not appear in index.

70015710 .....	57
Shield	
44326801 .....	61
Shock Warning Label	
F8614201 .....	61, 83
F8614401 .....	61
Side Panel	
70021502DG .....	57
70021502LG .....	57
70021502*P .....	49, 57
70253801DG .....	57
70253801LG .....	57
70253801*P .....	57
Slip Ring Assembly	
44222701 .....	53
Slip Ring Holder	
70455401 .....	53
Slot Card Plate Assembly	
44089501 .....	17, 19
Snap Bushing	
M400770 .....	69, 79, 81
M402542 .....	79, 81
70178701 .....	59, 77
Spacer	
70488403 .....	63
Spark Electrode	
70548701P .....	69
Spray Nozzle	
70427801 .....	59
Spray Nozzle Hose	
70427701 .....	59
Spray Paint	
298P4P .....	57
381P4 .....	57
Spring	
70571801 .....	63
Spring Catch Bracket	
70543401 .....	63
Standoff	
70569603 .....	63
Steam Adapter Kit	
70529601 .....	75
Steam Coil	
70369101P .....	75
Steam Control Assembly	
70501801 .....	77
Steam Filter Holder	
70369301 .....	75
Steam Valve	
F8322904P .....	75
Steam Valve Harness	
F8520703 .....	75
Stove Back	
70371501 .....	69
Stove Connectors Cover	
70365201 .....	73
Stove Grill	
70214901 .....	73
Stove Limit Harness	
70564301 .....	69
70564302 .....	75
70564303 .....	73
Stove Partition	
70357201 .....	73

Stove Top and Sides	
70333401 .....	69
7052601 .....	73
Strain Relief	
44304801 .....	75
Street Elbow	
H86070034 .....	69
Support Bearing	
70448701 .....	55
Support Bracket Assembly	
70283801 .....	49
Support Housing Bearing Assembly	
430260P .....	55
Switch	
70411901 .....	67
Switch Assembly	
70413401 .....	49
Switch Bracket	
70356301 .....	67
70508501 .....	47, 49
Switch Hole Plug	
44057801B .....	43
44057801LG .....	43
44057801Q .....	43
44057801W .....	43

---

## T

Tensioning Bracket	
70569501 .....	63
Terminal	
00622SG .....	77
Terminal Block	
M413865 .....	79, 81
430642 .....	77
Terminal Block Shield	
70333001 .....	77
Thermistor	
M414704 .....	65
44064701 .....	59, 61
Thermistor Plate	
70424401 .....	59, 61
Thermostat Cover	
M414477 .....	69
Top Pan	
70555201 .....	57
Top Panel	
70557501 .....	57
Transformer	
F8491101 .....	77
Transformer Harness	
44272301 .....	77
44272302 .....	77
Trunion and Seal Kit	
70564801 .....	51
70564802 .....	51
Tube Assembly	
70427601 .....	59
Tumbler Dolly Kit	
M4379P4 .....	57

N/A items do not appear in index.

---

## U

Union Tee	
70427901 .....	59
USB Bracket	
70547001 .....	25
USB-Serial Interface Assembly	
203440 .....	25

---

## V

Valve	
F8322906P .....	75
Vend Activation Harness	
44334001 .....	15, 17, 19, 23

---

## W

Warning Label	
F8611601 .....	79, 81
44321601 .....	83
44324101 .....	83
44324501 .....	61
44324502 .....	61
70534301 .....	41
70534302 .....	41
70534305 .....	83
70536301 .....	83
Warning Label Kit	
F8611600 .....	79, 81
Washer	
M400991 .....	55, 65
70261401 .....	57
70409301 .....	33
70411301 .....	51
Water Valve Harness	
44334405 .....	61
Wire Clip	
F8449501 .....	77
F8449502 .....	77
Wire Guard	
201595P .....	27
Wire Label	
44286802 .....	77, 79
44286804 .....	77
Wireless Network Board Harness	
F8536002 .....	19, 25
Wireless Network Control Assembly	
203532 .....	19, 25
Wireless Network Kit	
70596301 .....	19, 25

---

