

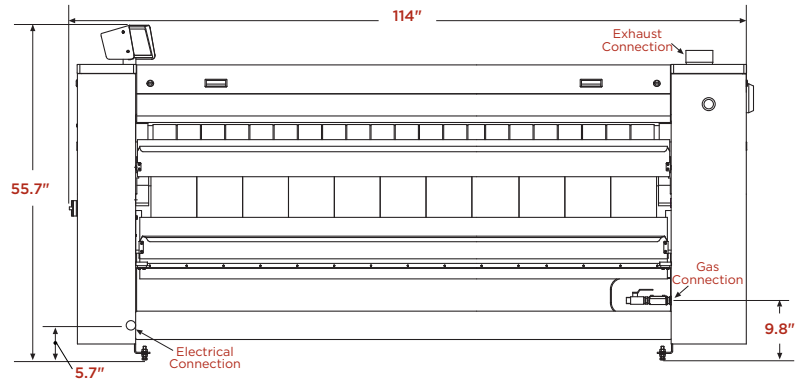
# Z13084

## Z-SERIES HEATED-ROLL IRONER

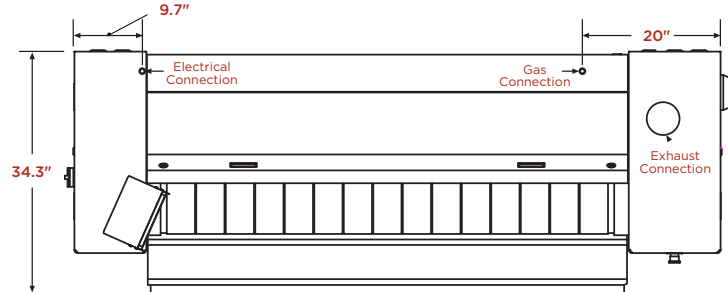
ARCHITECTURAL/MECHANICAL  
PRODUCT SPECIFICATIONS

Cylinder Diameter <i>inch</i>	12.8	
Usable Cylinder Width <i>inch</i>	83.5	
Evaporation Capability <i>gal/h</i>	5.28	
Ironing Speed <i>ft/min</i>	3-36	
Net Weight <i>lbs</i>	1237	
Crated Weight <i>lbs</i>	1630	
Machine Width <i>inch</i>	114	
Machine Depth <i>inch</i>	34.3	
Machine Height <i>inch</i>	55.7	
Feed Height <i>inch</i>	39.2	
Shipping Dimensions <i>inch</i> (WxDxH)	119.5 x 35.6 x 63	
Motor Power <i>Hp</i>		
Roller Motor	0.40	
Extraction Motor	0.40	
Exhaust Diameter <i>inch</i>	4.5	
Exhaust Air Flow <i>cfm</i>		
Gas	387	
Electric	353	
Electric Heating <i>kW</i>		
208/60/3	17.44	
240/60/3	23.22	
Gas Connection <i>inch</i>	3/4 NPT	
Gas Heating <i>BTU/h</i>		
Natural	98,611	
Propane	102,705	
Gas Consumption <i>cfm</i>		
Natural	1.8	
Propane	5.06	
Gas Supply Pressure <i>inch wc</i>		
Natural	7	
Propane	11	
Circuit Protection <i>Amps</i>		
Gas	208-240/60/1	10
Electric	208/60/3	80
	240/60/3	80
Full Load <i>Amps</i>		
Gas	208-240/60/1	4.7
Electric	208/60/3	53
	240/60/3	61

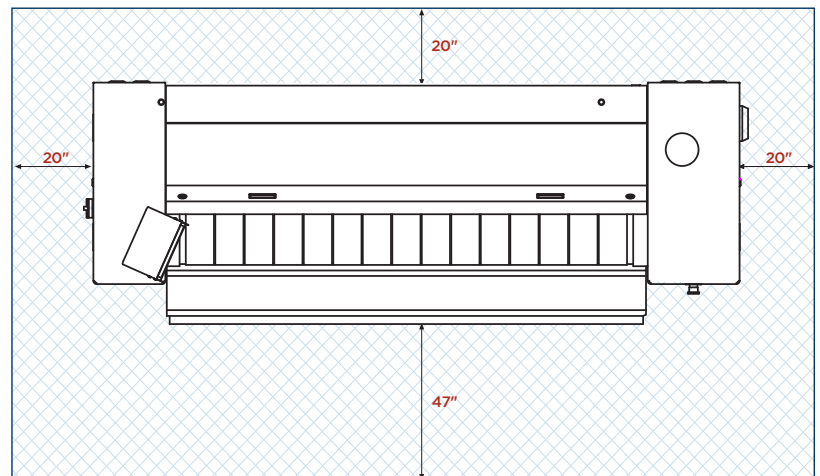
FRONT VIEW



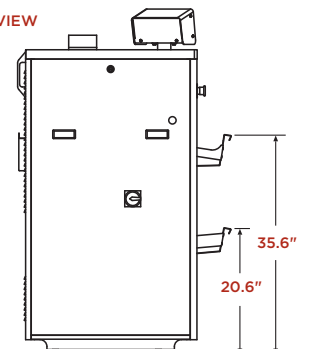
TOP VIEW



AREA NEEDED FOR SERVICE



SIDE VIEW



\* Specifications subject to change without notice or obligation. Contact OnePress Ironer at (800) 256-1073 for dimensions not shown or for clarification.